

# MOD-LRHB1

Light / Horn Option for Precision Digital Meters



PROVu Meter Shown in a PDA2301 Enclosure  
with MOD-LRHB1 Light / Horn and Reset Switch Option

## FEATURES

- Holes Drilled for Light / Horn and Reset Button in Enclosure
- Light / Horn Powered Directly from Meter
- Light / Horn Programmable for Variety of Reset Functions, Including:
  - Silence Horn at Any Time
  - Light Stays on Until Alarm Clears
- Light Can Be Wired to Flash or Stay Steady On
- IP 65 Rated
- 85 dB Horn
- Operates from -5 to 40°C (23 to 104°F)

Order from: **C A Briggs Company**

622 Mary Street; Suite 101; Warminster, PA 18974

Phone: 267-673-8117 - Fax: 267-673-8118

[Sales@cabriggs.com](mailto:Sales@cabriggs.com) - [www.cabriggs.com](http://www.cabriggs.com)

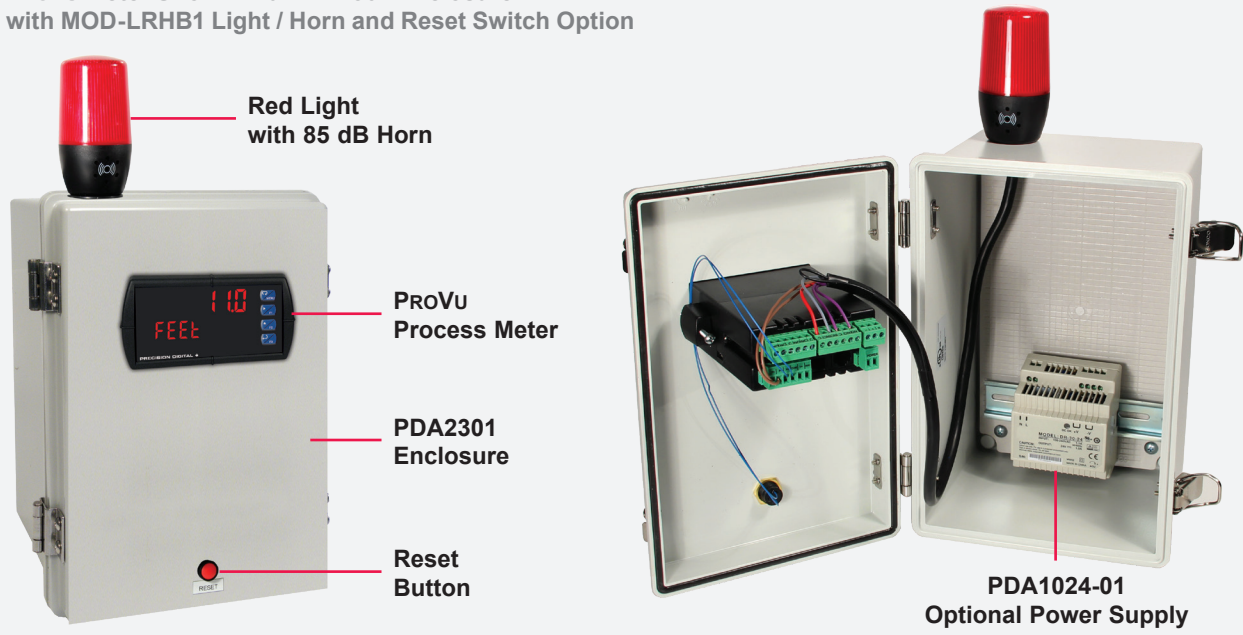
**PRECISION DIGITAL CORPORATION**

**PRECISION  
DIGITAL**

[www.predig.com](http://www.predig.com)

# MOD-LRHB1 Light / Horn Option for Precision Digital Meters

PROVu Meter Shown in a PDA2301 Enclosure with MOD-LRHB1 Light / Horn and Reset Switch Option



## OVERVIEW

Precision Digital offers a wide variety of NEMA 4 and NEMA 4X enclosures that can be equipped with MOD-LRHB1 red Light / Horn and reset switch. When ordered as MOD-LRHB1, the accompanying enclosure on the order comes with the holes pre-drilled for the Light / Horn and the reset switch and the user performs the mounting and wiring. The Light / Horn and reset switch can also be ordered as separate items and the user performs all hole-drilling, mounting and wiring as desired. The light and horn can be controlled independently of each other via separate relays on the PROVu meter; and since the meter's relays can be reset in a variety of ways, there are several ways the Light / Horn option can operate. For instance, the horn can be programmed to silence at any time via the Reset Button or F3 front panel button on the PROVu, and light to reset automatically when the alarm clears as the following table illustrates:

Relay #	Connected to	Default Reset Mode
1	Flashing Light <sup>(1)</sup>	Reset automatically after alarm clears
2	Horn	Silence with Reset Button at any time
3	User Device	As user desires
4	User Device	As user desires

1. Light can be wired to flash or stay steady on.

**Note:** The Light / Horn option is powered from the 200 mA transmitter power supply, so when that option is installed, the meter's transmitter power is downgraded from 200 mA. See Isolated Transmitter Power Supply specification on meter's data sheet for details.

## RELAYS OPERATION

### Reset Methods

All relays are independent of each other and may be programmed to reset in the following ways:

- Automatic: Alarm will reset automatically once the alarm condition has cleared.
- Automatic/Manual: Alarm will reset automatically once the alarm condition has cleared but can also be reset using the F3 front panel button or the Reset Button at any time\*.
- Latching: Alarm must be reset manually and can be done so at any time. Press the F3 front panel button or the Reset Button at any time to clear the alarm\*.
- Latching with Reset after Cleared: Alarm must be reset manually and can only be done so after the alarm condition has cleared. Press the F3 front panel button or the Reset Button after the alarm condition has cleared to reset the alarm\*.

\*Note: Pressing the F3 front panel button or Reset Button resets all alarms that are programmed for Manual Reset.

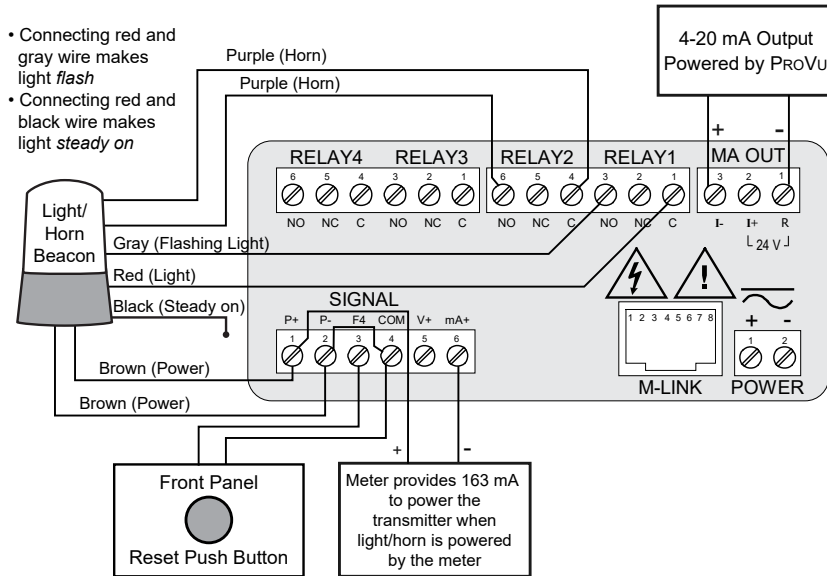
### Setting Set and Reset Points (HI / LO Alarms)

All relays are independent of each other and may be programmed as high or low alarms with user desired set and reset points. Setting a set point above a reset point results in a high alarm and setting a set point below a reset point results in a low alarm. Alarms have 0 – 100% deadband and set and reset points may be set anywhere in the range of the meter.

# MOD-LRHB1 Light / Horn Option for Precision Digital Meters

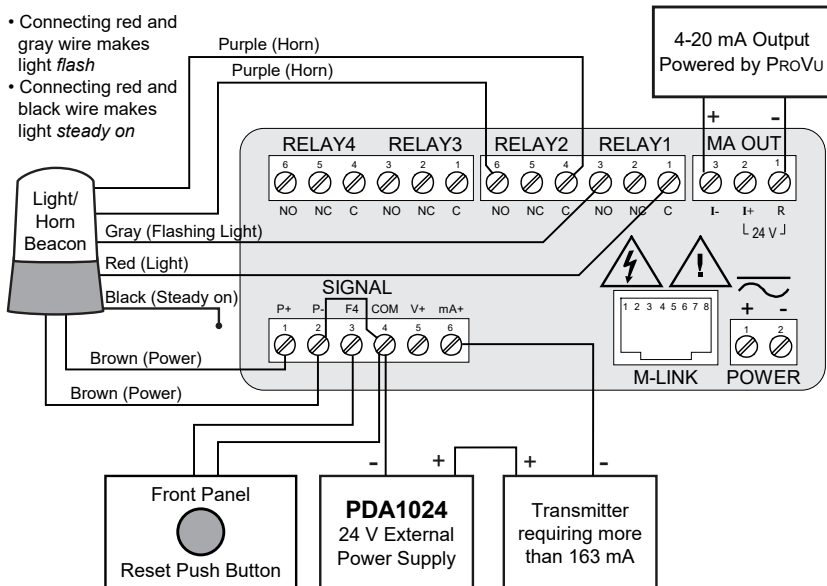
## WIRING CONNECTIONS FOR LIGHT / HORN

### Using ProVu's Internal Power Supply



- Connecting red and gray wire makes light *flash*
- Connecting red and black wire makes light *steady on*
- Form C (SPDT) relays
- Two isolated supplies available even on 12/24 VDC input power models
- Removable terminal blocks
- 2 or 4 relays + isolated 4-20 mA output option
- Universal 85-265 VAC or 12/24 VDC input power
- Voltage or current inputs
- No jumpers needed for V/mA input selection
- M-Link for adding expansion modules
- Digital input (F4)

### Using External Power Supply (PDA1024-01)



- Connecting red and gray wire makes light *flash*
- Connecting red and black wire makes light *steady on*
- Form C (SPDT) relays
- Two isolated supplies available even on 12/24 VDC input power models
- Removable terminal blocks
- 2 or 4 relays + isolated 4-20 mA output option
- Universal 85-265 VAC or 12/24 VDC input power
- Voltage or current inputs
- No jumpers needed for V/mA input selection
- M-Link for adding expansion modules
- Digital input (F4)

## MOD-LRHB1 HOLE LOCATIONS

When MOD-LRHB1 is ordered with an enclosure, the enclosure comes pre-drilled with holes for Light / Horn and Reset Button.

### Light / Horn

The Light / Horn hole is on the top, back left corner of the enclosure.



### Reset Button

The Reset Button is centered on the cover of the enclosure below the meter about an inch off the bottom of the cover except on the PDA3400 series where it is mounted on the side of the enclosure.



# MOD-LRHB1 Light / Horn Option for Precision Digital Meters

## SPECIFICATIONS

**Recommended for these ProVu Models:** PD6000, PD6001, PD6100, PD6200, PD6300, PD6400, PD7000.

**Light:** Red; can be wired to flash or stay steady on

**Light / Horn & Reset Button Installation:** When MOD-LRHB1 is ordered with an enclosure, the user performs installation and wiring of Light / Horn and Reset Button in pre-drilled holes.

**Horn:** 85 dB

**Rating:** IP 65

**Light / Horn Independence:** Light and horn can be controlled via separate relays

**Power Requirement:** No additional power required when wired to a ProVu meter. When mounted remote: 24 VDC Transmitter Power Supply: The internal ProVu transmitter power supply is downgraded to 163 mA when the ProVu also powers the Light / Horn Option. Consider the PDA1024-01 24 V power supply when more power is needed.

**Reset / Silence Button:** NEMA 4X; may be wired to F4 terminal on ProVu. F3 front panel button can also be used to reset relays.

**Light / Horn Mounting Connection:** M22

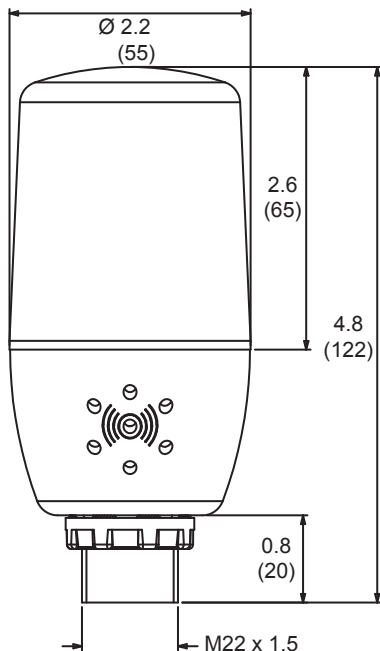
**Hole Sizes:** Light / Horn: 0.875" (22.2 mm);

Reset Button: 0.630" (16 mm)

**Operating Temperature Range:** -5 to 40°C (23 to 104°F)

## DIMENSIONS

Units: Inches (mm)



### WARNING

Cancer and Reproductive Harm - [www.P65Warnings.ca.gov](http://www.P65Warnings.ca.gov)

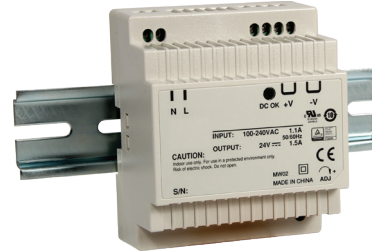
## OPTIONAL 24 VDC POWER SUPPLY

The PDA1024-01 is a DIN rail mounted 24 VDC, 1.5 A power supply.

**Output Voltage:** 21.6 ~ 26.4 VDC;  $\pm 10\%$  1.5A rated current.

**Dimensions:** 3.07" x 3.66" x 2.20"

(78 mm x 93 mm x 56 mm) (W x H x D)



## ORDERING INFORMATION

Model	Description
MOD-LRHB1	Light / Horn and Reset Button with Holes Drilled for Light / Horn and Reset Button in Enclosure <sup>(1)</sup>
PDA-BUTTON1R	Reset Button
PDA-LRH	Red Light / Horn
PDA1024-01	24 VDC Power Supply for DIN Rail

### Notes

1. This MOD is supplied with the Light / Horn and Reset Button. The enclosure comes pre-drilled with holes for Light / Horn and Reset Button and the user performs the installation and wiring. The Light / Horn hole is in the back left corner of the enclosure and the Reset Button is centered on the cover of the enclosure below the meter about an inch off the bottom of the cover except on the PDA3400 series where it is mounted on the side of the enclosure.
2. Specify PDA-LRH to order the Light / Horn to be mounted by the user in user-drilled hole.
3. Specify PDA-BUTTONR to order Reset Button to be mounted by the user in user-drilled hole.

Your Local Distributor is:

Order from: **C A Briggs Company**

622 Mary Street; Suite 101; Warminster, PA 18974

Phone: 267-673-8117 - Fax: 267-673-8118

[Sales@cabriggs.com](mailto:Sales@cabriggs.com) - [www.cabriggs.com](http://www.cabriggs.com)

### Disclaimer

The information contained in this document is subject to change without notice. Precision Digital Corporation makes no representations or warranties with respect to the contents hereof, and specifically disclaims any implied warranties of merchantability or fitness for a particular purpose.

©2019 Precision Digital Corporation. All rights reserved.

LIMLRHB1\_A 01/19

**PRECISION DIGITAL CORPORATION**

233 South Street • Hopkinton MA 01748 USA • Tel (800) 343-1001

**PRECISION  
DIGITAL**  
[www.predig.com](http://www.predig.com)