

PD8-6300 SERIES NTEP CERTIFIED PULSE INPUT DEVICES

Security Seal Installation Guide

NTEP CERTIFICATION

CERTIFICATE NUMBER	14-061
DEFINITION	Register for Meter Stationary Wholesale Liquid Register/Controller Digital Electronic Model: PD8-63XX Series
EVALUATION CRITERIA	NIST Handbook 44 Specifications, Tolerances, and Other Technical Requirements for Weighing and Measuring Devices, 2014 Edition. NCWM Publication 14 Measuring Devices, 2014 Edition.

National Conference on Weights and Measures (NCWM) National Type Evaluation Program (NTEP) Certificate of Conformance available at www.predig.com.

INTRODUCTION

The ProtEX-MAX PD8-6300-WM Series are NTEP® Certified meters and controllers certified as weighing and measuring devices.

The devices have a mechanically secured programming lockout feature. A cable with compression seal may be secured to prevent the removal of the rear case, preventing access to the programming lockout jumper.

Wire Security Seal Kit Contents

This security seal kit contains the following:

- A Wire Loop Security Seal
- B LIM8-6300-WM-2 Security Seal Installation Guide (This Document)



Combined with using the programming lockout jumper to restrict access to the programming, the device meets the requirements for National Conference on Weights and Measures (NCWM) National Type Evaluation Program (NTEP) certification.

Security Seal Installation

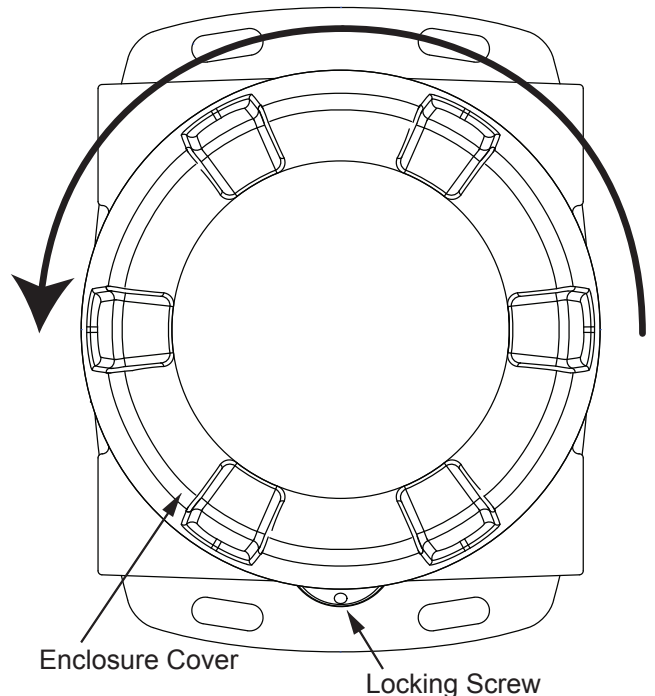
- 1.0 Program the Device
- 2.0 Remove Electronics Module
- 3.0 Install the Programming Lockout Jumper
- 4.0 Install the Security Seal Wire Loop

1.0 Program the Device

- 1.1 Set up the device with all necessary programmable settings prior to installing the lockout jumper. Refer to the device instruction manual for details on setting up the device.
- 1.2 The programming of the device must be completed before installing the programming lockout jumper. Installing the programming lockout jumper will prevent access to the programming menus.

2.0 Remove Electronics Module

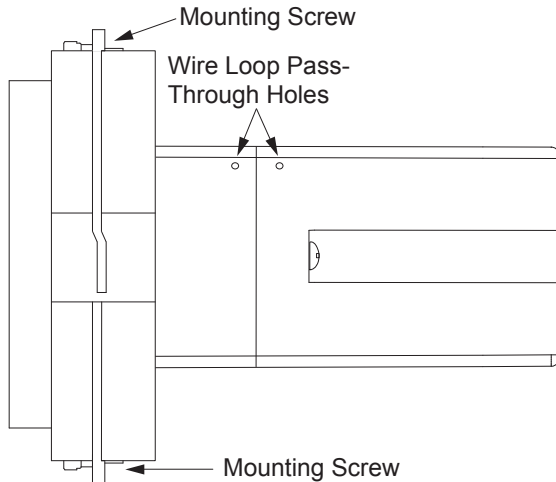
- 2.1 Using a 0.7 mm allen wrench, loosen the locking screw located on the cover of the explosion proof enclosure.
- 2.2 Turn explosion-proof enclosure cover counter-clockwise until it comes loose from the enclosure body. Be careful to support the weight of the enclosure cover during removal to prevent it from falling. This could result in injury or damage to the enclosure.
- 2.3 Loosen mounting screws on top and bottom of display until the display comes loose from the enclosure body. Remove the display from the explosion-proof enclosure.



Order from: **C A Briggs Company**
622 Mary Street; Suite 101; Warminster, PA 18974
Phone: 267-673-8117 - Fax: 267-673-8118
Sales@cabriggs.com - www.cabriggs.com

PD8-6300 SERIES NTEP CERTIFIED PULSE INPUT DEVICES

Security Seal Installation Guide



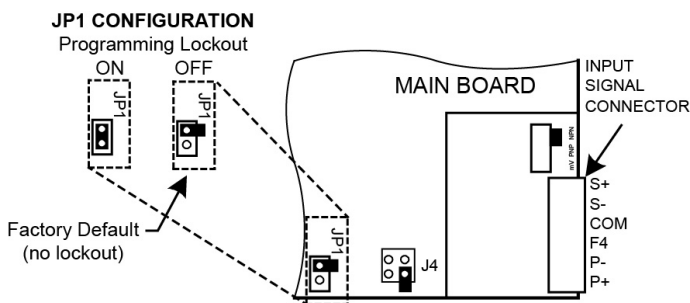
3.0 Install the Programming Lockout Jumper

Installing the programming lockout jumper will prevent access to the programming menus. If the Menu button is pressed, the device will display Locked Seal (L_ocK_d S_EAL). The device will still allow all front function key operations.

Combined with sealing the rear case to restrict access to the programming lockout jumper, the device meets the requirements for National Conference on Weights and Measures (NCWM) National Type Evaluation Program (NTEP) certification.

To access and enable the programming lockout jumper:

- 3.1 Remove all the wiring connectors at the rear of the device.
- 3.2 Unscrew the two screws that secure the back cover to the front of the electronics module.
- 3.3 Slide the back cover away from the front of the housing about 1 inch. Do not remove the back cover from the electronics module completely, as it may prove difficult to put back in place if removed.
- 3.4 Configure the JP1 jumper, located behind the input signal connector, for the desired programming lockout operation (lockout on or off) as shown.



Registered Trademarks

ProtEX® is a registered trademark of Precision Digital Corporation. NTEP® name and logo are registered trademarks of the National Conference on Weights and Measures (NCWM). All other trademarks mentioned in this document are the property of their respective owners.

4.0 Install the Security Seal Wire Loop

This seal secures the rear case portion of the electronics module, preventing unauthorized access to the lockout jumper.

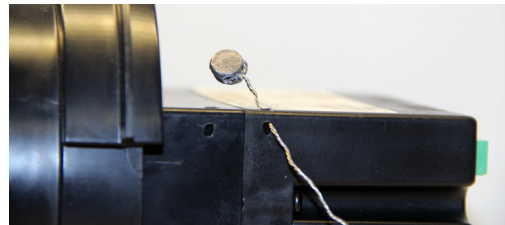
Combined with using the programming lockout jumper to restrict access to the programming, the device meets the requirements for National Conference on Weights and Measures (NCWM) National Type Evaluation Program (NTEP) certification.

To install the wire security seal:

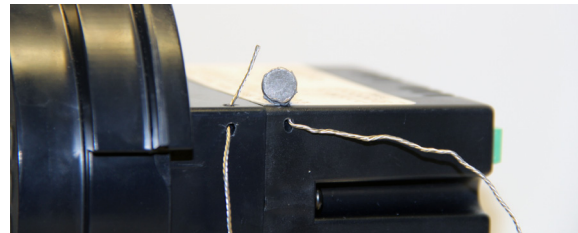
- 4.1 Locate the wire security seal packed with the controller.



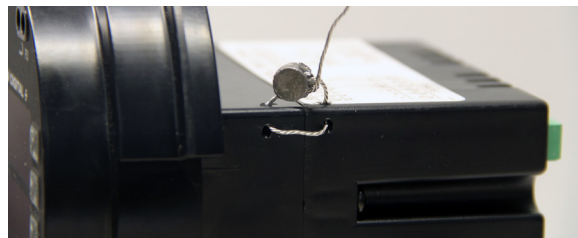
- 4.2 Pass the wire security loop through the wire loop pass-through holes on the rear portion of the controller housing.



- 4.3 Pass the wire loop through the second set of wire loop pass-through holes in the controller housing.



- 4.4 With the wire loop through the front and rear of the case, pass the loop back through the crimp seal end. Tighten the loop such that it will prevent the rear of the case from being removed while the loop is in place.



- 4.5 The wire loop may now be tagged, crimped, and sealed to mechanically secure the rear case. This will secure the programming lockout jumper.

LIM8-6310WM-2_A 12/14