

PDA1004, PDA1011, & PDA1044 Instruction Manual

Relay, Analog Output, and Digital I/O Expansion Modules



Order from:

C A Briggs Company

622 Mary Street; Suite 101

Warminster, PA 18974

Phone: 267-673-8117 - Fax: 267-673-8118

Sales@cabriggs.com - www.cabriggs.com

PRECISION DIGITAL CORPORATION

233 South Street • Hopkinton MA 01748 USA

Tel (800) 343-1001 • Fax (508) 655-8990



www.predig.com

Disclaimer

The information contained in this document is subject to change without notice. Precision Digital makes no representations or warranties with respect to the contents hereof and specifically disclaim any implied warranties of merchantability or fitness for a particular purpose.



CAUTION: Read complete instructions prior to installation and operation of the module.



WARNING: Risk of electric shock or personal injury.

Expansion modules **DO NOT** contain internal jumpers or switches.



WARNING!

***Hazardous voltages exist within enclosure.
Installation and service should be performed only by
trained service personnel.***



WARNING!

***Do not connect or disconnect the expansion module
with the power on!***

Limited Warranty

Precision Digital Corporation warrants this product against defects in material or workmanship for the specified period under "Specifications" from the date of shipment from the factory. Precision Digital's liability under this limited warranty shall not exceed the purchase value, repair, or replacement of the defective unit.

Registered Trademarks

All trademarks mentioned in this document are the property of their respective owners.

© 2010-2017 Precision Digital Corporation. All rights reserved.

www.predig.com

Table of Contents

INTRODUCTION	3
Accessories	3
SPECIFICATIONS	4
General (applicable to all models)	4
PDA1004 4-Relay Expansion Module	4
PDA1011 Dual Isolated 4-20 mA Output Module	4
PDA1044 Digital Input & Output Expansion Module	5
INSTALLATION	5
Expansion Module Connections	6
PDA1011 Configuration	6
PDA1044 Configuration	6
Terminal Block Connections	7

INTRODUCTION

These external expansion modules add functionality to the PROVu in the field. They can be added at any time and are easy-to-install.

Add a 4-relay expansion module, and/or up to two I/O modules. The PD6060, PD6080, PD6081, PD6088, PD6089, PD6262, PD6363, and PD6400 PROVu meters may add an additional 2 analog outputs. The menu items for these modules do not appear until the module is connected, simplifying the basic menu.

The relay module consists of four 3 amp Form A (SPST) relays. The analog output module consists of two 4-20 mA outputs. Both are configured for functions similar to the PROVu onboard outputs.

The I/O module has four digital inputs and four digital outputs per module. External digital inputs function similarly to the F4 digital input on most PROVu models. They can be configured to trigger events (i.e. acknowledge/reset alarms, reset max and/or min values, disable/enable all output relays), provide specific menu access, or mimic front keys. Digital outputs can be used to remotely monitor alarm relay states, or the states of a variety of actions and functions executed by the meter.

Accessories

Model	Description
PDA1002	DIN-rail mounting kit for two expansion modules
PDA1200	Meter copy cable
PDA1232	RS-232 serial adapter
PDA1485	RS-422/485 serial adapter
PDA8008	USB Serial Adapter

SPECIFICATIONS

Except where noted all specifications apply to operation at +25°C.

General (applicable to all models)

POWER	ProVu meter M-LINK connection
CABLE	Standard CAT5e cable; provided with module. <i>Note: To ensure optimum performance use only supplied cables.</i>
CONNECTORS	RJ45; identical and interchangeable Removable screw terminal blocks that accept 12 to 22 AWG wire.
TIGHTENING TORQUE	Screw terminal connectors: 5 lb-in (0.56 Nm)
ENCLOSURE	ABS-94HB material, UL94HB (Flame-Class Rating)
OVERALL DIMENSIONS	2.286" x .924" x 3.624" (W x H x D) 58.06 mm x 23.47 mm x 92.05 mm (W x H x D)

PDA1004 4-Relay Expansion Module


RELAYS	Four Form A (SPST); Rated 3 A @ 30 VDC and 125/250 VAC for resistive loads 1/14 HP @ 125/250 VAC for inductive loads.
WEIGHT	2.4 oz (68 g)

PDA1011 Dual Isolated 4-20 mA Output Module

The PDA1011 is only compatible with the PD6060, PD6262, PD6363, and PD6400 dual-input meters and PD6080, PD6081, PD6088, and PD6089 Modbus® scanners.

ACCURACY	± 0.1% of span ± 0.004 mA		
SCALING RANGE	3.000 to 23.000 mA for any display range		
TEMPERATURE DRIFT	0.4 µA/°C max from 0 to 65°C ambient, 0.8 µA/°C max from -40 to 0°C ambient <i>Note: Analog output drift is separate from input drift.</i>		
OUTPUT LOOP RESISTANCE	Power supply	Minimum	Maximum
	24 VDC	10 Ω	700 Ω
	35 VDC (external)	100 Ω	1200 Ω
WEIGHT	1.8 oz (51 g)		

PDA1044 Digital Input & Output Expansion Module

CHANNELS	4 digital inputs & 4 digital outputs per module
SYSTEM	Up to 2 modules for a total of 8 inputs & 8 outputs <i>Note: The jumper located between the RJ45 connectors must be removed on the second module in order for the system to recognize it as module #2.</i>
DIGITAL INPUT LOGIC HIGH	3 to 5 VDC
DIGITAL INPUT LOGIC LOW	0 to 1.25 VDC
DIGITAL OUTPUT LOGIC HIGH	3.1 to 3.3 VDC
DIGITAL OUTPUT LOGIC LOW	0 to 0.4 VDC
SOURCE CURRENT	10 mA maximum output current
SINK CURRENT	1.5 mA minimum input current
+5 V TERMINAL	To be used as pull-up for digital inputs only. Connect normally open pushbuttons across +5 V & DI 1-4. <div style="border: 1px solid black; padding: 5px; display: inline-block;">  <p><i>DO NOT</i> use +5 V terminal (pin 1) to power external devices.</p> <p>WARNING!</p> </div>
WEIGHT	2.2 oz (62 g)

INSTALLATION

There is no need to remove the expansion module from its case to complete the installation, wiring, or setup of the unit.



WARNING!

Do not connect or disconnect the expansion module with the power on!

Expansion Module Connections

The relay, analog output, and digital I/O expansion modules PDA1004, PDA1011, and PDA1044 are connected to the meter using a CAT5e cable provided with each module (see Figure 1).

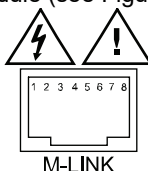


Figure 1: M-Link Connector Location on the Meter



WARNING!

Do not connect any equipment other than Precision Digital's expansion modules, cables, or meters to the RJ45 M-LINK connector. Otherwise damage will occur to the equipment and the meter.

The two RJ45 connectors on the expansion modules are identical and interchangeable; they are used to connect additional modules to the system.

PDA1011 Configuration

For the ProVu to recognize the installed PDA1011 analog outputs the module must be connected by the M-Link connector to the ProVu and each analog output being used must be wired to and powered by a separate DC supply than the one powering the ProVu.

PDA1044 Configuration

The jumper located between the RJ45 connectors of the PDA1044 (see Figure 2) must be removed on the second digital I/O module in order for the system to recognize it as module #2.

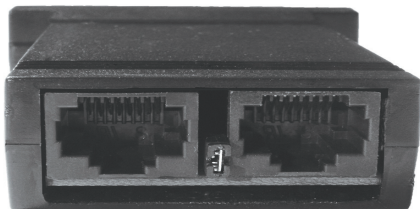


Figure 2: Jumper Location

Terminal Block Connections

All connections are made to removable screw terminal connectors located at the front of the module.



Caution!

Use copper wire with 60°C or 60/75°C insulation for all line voltage connections. Observe all safety regulations. Electrical wiring should be performed in accordance with all applicable national, state, and local codes to prevent damage to the meter and ensure personnel safety.

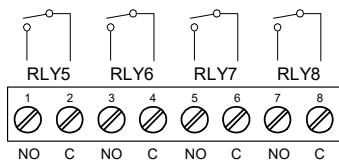


Figure 3: External Relays Module Connections

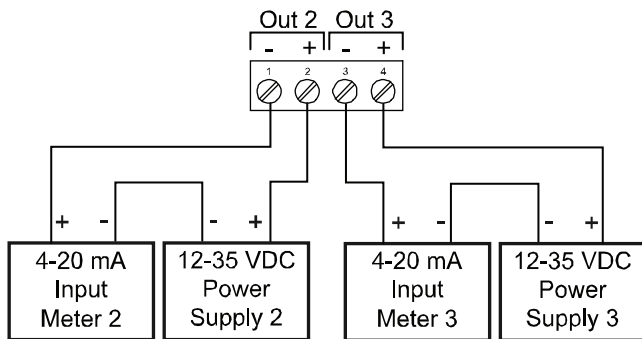


Figure 4: Dual Analog Output Module Connections

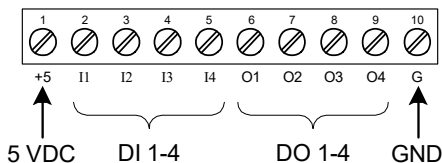


Figure 5: Digital I/O Module Connections

How to Contact Precision Digital

- For Technical Support, please
Call: (800) 610-5239 or (508) 655-7300
Fax: (508) 655-8990
Email: support@predig.com
- For Sales Support or to place an order, please contact your local distributor or
Call: (800) 343-1001 or (508) 655-7300
Fax: (508) 655-8990
Email: sales@predig.com
- For the latest version of this manual, please visit **www.predig.com**

Order from:

C A Briggs Company

622 Mary Street; Suite 101
Warminster, PA 18974

Phone: 267-673-8117 - Fax: 267-673-8118

Sales@cabriggs.com - www.cabriggs.com

