

PDA2500

Rugged Plastic NEMA 4X Enclosures for 1/8 DIN Digital Panel Meters



Download free 2-D CAD files of these enclosures to simplify your drawings!

predig.com/documentation-cad

PDA2504-1 Enclosure Shown with a ProVu Meter and MOD-LH Light / Horn and Reset Button.

Meter & MOD-LH Sold Separately. Assembly Required.



FEATURES

- House up to 10 Meters
- Plastic
- Horizontal, Vertical or No Cutouts
- 1/16 DIN, 1/8 DIN and 1/4 DIN Cutouts
- NEMA 1, 3, 3S, 4, 4X, and 12
- Hinged Door
- Cover Held in Place with Screws
- Meter Mounted in Cover
- Sub-Panels Available
- Mounting Holes Integral to Enclosure
- PDA1024-01 24 VDC Power Supply Available
- UL Listed, CSA Certified
- Light / Horn & Reset Button

OVERVIEW

The PDA2500 series of rugged plastic NEMA 4X enclosures for 1/8 DIN Digital Panel Meters provide a convenient way to mount up to ten Precision Digital meters to walls and other vertical structures. Many of these enclosures also have room for additional devices like a light / horn and a 24 V transmitter power supply. Sub-panels are available to mount additional devices to the base of the enclosure. These enclosures come pre-cut with horizontal or vertical 1/16 DIN, 1/8 DIN and 1/4 DIN cutouts or they can be ordered with no cutouts. The meters are mounted in the door of the enclosure thus allowing for programming and operation of the meter. Mounting hardware is provided. The door is hinged and secured with screws. Enclosures, meters and accessories are ordered and packaged separately.

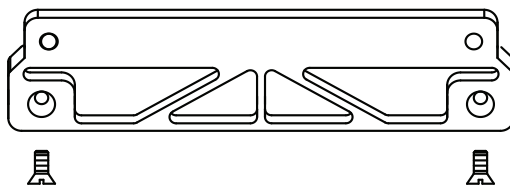
PDA2500 Rugged Plastic NEMA 4X Enclosures

WALL MOUNTING

The PDA2500 enclosures come with two mounting flanges that can be attached to the top and bottom of the enclosure using two screws. These allow for easy and convenient wall mounting.



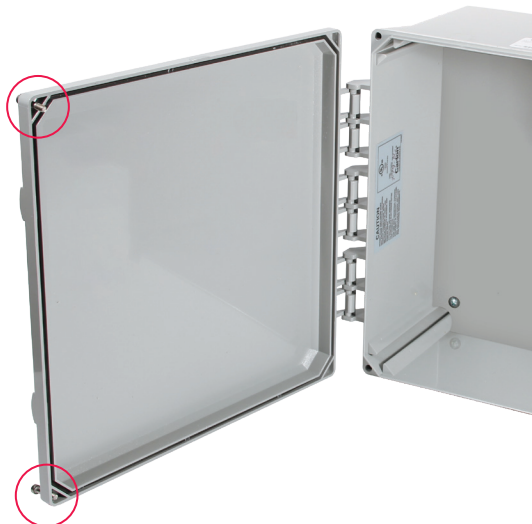
Mounting flange holes for wall mounting



Mounting flange

COVER SECURING METHOD

The cover is hinged and secured with screws.



ENCLOSURE SELECTION UTILITY

This utility simplifies the selection process of the right enclosure for your application based on the number and type of meters to be installed in the enclosure.

STEP 1. Select number of meters

Step 1:

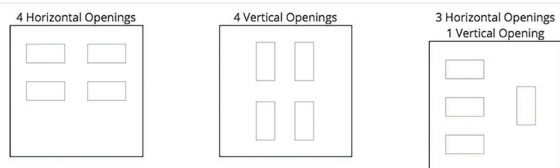
How many meters do you need to house?

Finished assembly of these enclosures is done at the time of the order. As such, acknowledged orders are non-cancelable and the product is non-returnable.

STEP 2. Select cutout configuration

Step 2:

Please use the graphics below to select the cutout configuration for your 4 Precision Digital products



STEP 3. Select type of meters

Step 3:

Select which type of meter you will be installing into the enclosure.

You can view more details about a particular product by moving your mouse over the pictures below.



STEP 4. Choose from results

Enclosure Selection Utility Results

SKU	Description	Stock	Lead Time	Price
PDA2304	PDA2300 Series NEMA 4X Plastic Enclosures Enclosure Cutouts: Four (4) Material: Plastic Meter Mounting: Through front panel Orientation: Horizontal Warranty: 1 year Approvals: UL/C-UL	3	3 business days	\$269.00
PDA2504	PDA2500 Series Plastic NEMA 4X Enclosures Enclosure Cutouts: Four (4) DIN Size: 1/8 DIN Material: Plastic Meter Mounting: Through front panel Orientation: Horizontal Warranty: 1 year Approvals: UL/C-UL	1	13 business days	\$349.00
PDA2604	PDA2600 Series Stainless Steel NEMA 4X Enclosures Enclosure Cutouts: Four (4) Material: Stainless Steel Meter Mounting: Through front panel	1	33 business days	\$859.00



Need help selecting the right enclosure?
www.predig.com/esu

PDA2500 Rugged Plastic NEMA 4X Enclosures

MODELS AVAILABLE

Horizontal Cutouts



PDA2501



PDA2501-4



PDA2501-16



PDA2502



PDA2503



PDA2503-1



PDA2503-2



PDA2504



PDA2504-1



PDA2504-2



PDA2504-3



PDA2505



PDA2506



PDA2507



PDA2508



PDA2509



PDA2510



PDA2512



Need help selecting the right enclosure?
Go to www.predig.com/esu

MODELS AVAILABLE (CONTINUED)

Vertical Cutouts



PDA2501-V



PDA2502-V



PDA2503-V



PDA2504-V



PDA2505-V



PDA2506-V



PDA2522

No Cutouts



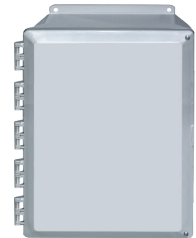
PDA2503-B



PDA2506-B



PDA2508-B



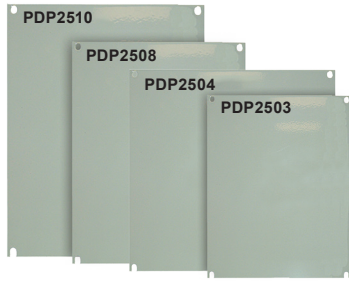
PDA2510-B



Need help selecting the right enclosure?
Go to www.predig.com/esu

PDA2500 Rugged Plastic NEMA 4X Enclosures

ACCESSORIES



Sub-Panels

The PDP2503, PDP2504, PDP2508 and PDP2510 sub-panels provide a convenient way to mount additional items to the base of the enclosure. They can be drilled to accept screws for easy mounting of relays, contactors, securing wiring clips, or installing other internal devices. See chart on the right for compatibility.

Sub-Panel Specifications

Size:

PDP2503: 8.75" x 6.88"

(222 mm x 175 mm)

PDP2504: 10.75" x 10.88"

(273 mm x 276 mm)

PDP2508: 12.75" x 10.88"

(324 mm x 276 mm)

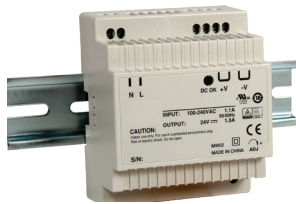
PDP2510: 14.75" x 12.88"

(375 mm x 327 mm)

Thickness: 14 gauge

Material: Steel

Mounting hardware is included.



PDA1024-01 24 VDC Power Supply for DIN Rail

The PDA1024-01 is a DIN rail mounted 24 VDC, 1.5 A power supply.

Specifications

Output Voltage: 21.6 ~ 26.4 VDC; ±10% 1.5A rated current.

Dimensions: 3.07" x 3.66" x 2.20" (78 mm x 93 mm x 56 mm) (W x H x D)

Model	PDP2503	PDP2504	PDP2508	PDP2510
Horizontal Cutouts				
PDA2501				
PDA2501-4				
PDA2501-16				
PDA2502				
PDA2503	•			
PDA2503-1	•			
PDA2503-2	•			
PDA2504		•		
PDA2504-1		•		
PDA2504-2		•		
PDA2504-3		•		
PDA2505		•		
PDA2506		•		
PDA2507			•	
PDA2508			•	
PDA2509				•
PDA2510				•
PDA2512		•		

Model	PDP2503	PDP2504	PDP2508	PDP2510
Vertical Cutouts				
PDA2301-V				
PDA2302-V	•			
PDA2303-V		•		
PDA2304-V		•		
PDA2305-V		•		
PDA2306-V		•		
PDA2322	•			
No Cutouts				
PDA2503-B	•			
PDA2506-B		•		
PDA2508-B			•	
PDA2510-B				•



PDA-SSTAG Stainless Steel Tags

PDA-SSTAG is a laser etched stainless steel tag accessory for any of your Precision Digital meters. The tag features custom digital text for equipment identification, instruction, or whatever else is needed in your facility. Each tag comes with a stainless steel wire and lead seal for easy mounting wherever you need it.

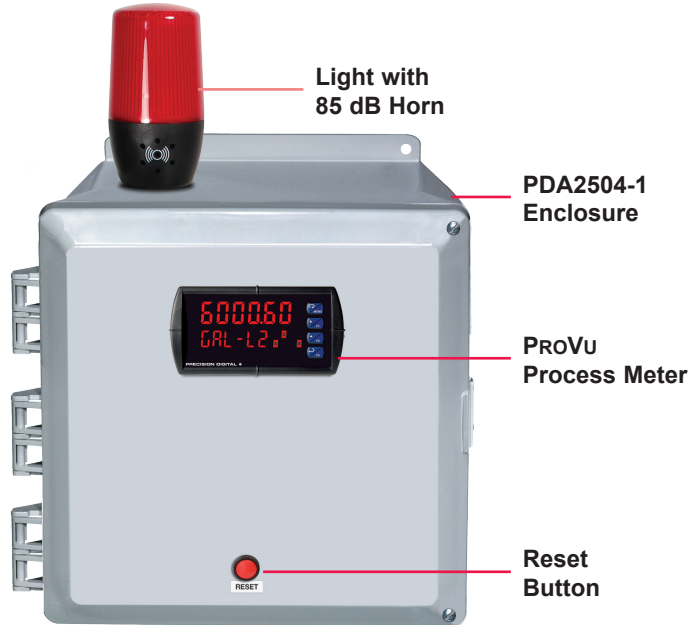


PDX18DIN-FILLER 1/8 DIN Cutout Filler

The NEMA 4X 1/8 DIN cutout filler is used to cover up empty 1/8 DIN cutouts and maintain the NEMA 4X rating to the panel or enclosure. It consists of a generic bezel with a black faceplate, as well as mounting brackets, gasket, etc.

ACCESSORIES (CONTINUED)

PDA2500 Series Enclosure with Light / Horn



Light / Horn Accessories

Precision Digital offers a Light / Horn that can be mounted to any PDA2500 Series enclosures by the user. This Light / Horn can be wired to flash or stay steady on and the horn is rated at 85 dB. The light and horn can be controlled independently of each other via separate relays on the meter such that the horn can be programmed to silence via a button mounted to the enclosure and the light can be programmed to stay on until the alarm clears.

The light / horn and reset button are all rated NEMA 4X or IP65. The following table illustrates a typical way the Light / Horn accessory can be wired and programmed for the PROVu meter:

Relay #	Connected to	Typical reset method (user selectable)
1	Flashing Light ⁽¹⁾	Auto reset
2	Horn	Silence with Reset Button at any time
3	User Device	As user desires
4	User Device	As user desires

1. Light can be wired to flash or stay steady on

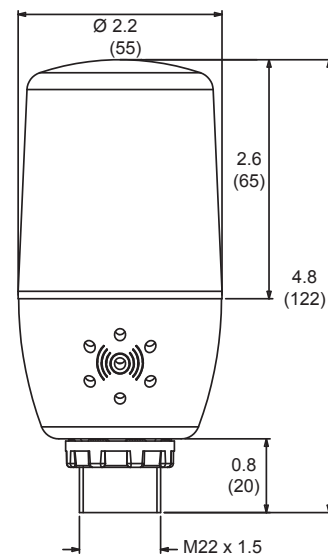
Note: The Light / Horn accessory is powered from the 200 mA transmitter power supply, so when this is installed, the meter's transmitter power is downgraded from 200 mA. See Transmitter Power Supply specification on MOD-LH manual for details.

MOD-LH Light / Horn Accessory

When this MOD is ordered, the enclosure comes pre-drilled with holes for Light / Horn and Reset Button to be installed by user. Meter and enclosure are sold separately. The Light / Horn hole is in the back left corner of the enclosure and the Reset button is centered on the front of the enclosure about an inch off the bottom of the door. If the user would prefer to mount these items in different locations, order the PDA-LH and the PDA-BUTTON1R separately and drill holes and mount as desired. Other light colors are available.

Light / Horn Dimensions

Units: Inches (mm)



PDA2500 Rugged Plastic NEMA 4X Enclosures

SPECIFICATIONS

General

Material: Thermoplastic

Color: Gray

Meters: Houses up to 10 meters

Meter Mounting Method: Through cover

Cover Mounting Method: Hinge / screw

Ratings: NEMA 1, 3, 3S, 4, 4X, and 12

Approvals: UL, CSA

Operating Temperature: -40 to 120°C

Warranty: 1 year

1/8 DIN Meter Types

Type	Meters
B	PD542, PD543, and PD562
C	PD603, PD644, PD743, PD765, PD6602, PD6603, PD6604, PD6606, PD6607, PD6608, PD6622, PD6624, and PD6626, and PD6628.
D	PD138, PD154, and PD158
E	PD6000, PD6001, PD6060, PD6080, PD6081, PD6088, PD6089, PD6100, PD6200, PD6210, PD6262, PD6300, PD6310, PD6310-WM, PD6363, PD6400, and PD7000

Dimensions / Features

• Available ■ 1 Required

Model	# of Meters	1/8 DIN Meter Type				DIN		Outside Dimensions (H x W x D) Inch (mm)	Inside Dimensions (H x W x D) Inch (mm)	Mounting Dimensions Inch (mm)	Conduit Hole	Fits PDA1024-01	Fits MOD-LH	Weight lb (kg)
		B	C	D	E	1/4	1/8							
Horizontal Cutouts														
PDA2501	1	•	•					7.7 x 6.4 x 5.1 (196 x 163 x 130)	4.9 x 4.9 x 4.5 (124 x 124 x 114)	6.75 x 4.0 (171 x 102)		•	•	1.6 (0.7)
PDA2501-4	1					•								
PDA2501-16	1						•							
PDA2502	2	•	•					9.7 x 6.4 x 5.1 (246 x 163 x 130)	6.7 x 4.9 x 4.5 (170 x 124 x 114)	8.75 x 4.0 (222 x 102)		•	•	2.2 (1.0)
PDA2503	3													
PDA2503-1	1	•	•					11.7 x 8.4 x 5.1 (297 x 213 x 130)	8.7 x 6.9 x 4.5 (221 x 175 x 114)	10.75 x 6.0 (273 x 152)		•	•	3.0 (1.4)
PDA2503-2	2													
PDA2504	4													
PDA2504-1	1													
PDA2504-2	2													
PDA2504-3	3	•	•			•		13.7 x 12.4 x 7.1 (348 x 315 x 181)	10.7 x 10.9 x 6.5 (272 x 277 x 165)	12.75 x 10.0 (324 x 254)		•	•	5.0 (2.3)
PDA2505	5													
PDA2506	6													
PDA2512	2													
PDA2507	7	•	•			•		15.7 x 12.4 x 7.1 (399 x 315 x 181)	12.7 x 10.9 x 6.5 (323 x 277 x 165)	14.75 x 10.0 (375 x 254)		•	•	5.5 (2.5)
PDA2508	8													
PDA2509	9	•	•			•		17.7 x 14.4 x 7.1 (450 x 366 x 180)	14.7 x 10.9 x 6.5 (373 x 277 x 165)	16.75 x 12.0 (425 x 305)		•	•	7.3 (3.3)
PDA2510	10													
Vertical Cutouts														
PDA2501-V	1			•				7.7 x 6.4 x 5.1 (196 x 163 x 130)	4.9 x 4.9 x 4.5 (124 x 124 x 114)	4.0 x 6.75 (102 x 171)		•	•	1.6 (0.7)
PDA2502-V	2			•				11.7 x 8.4 x 5.1 (297 x 213 x 130)	8.7 x 6.9 x 4.5 (221 x 175 x 114)	6.0 x 10.75 (152 x 273)		•	•	3.0 (1.4)
PDA2522	2	•	•	■	•									
PDA2503-V	3													
PDA2504-V	4													
PDA2505-V	5			•				13.7 x 12.4 x 7.1 (348 x 315 x 181)	10.7 x 10.9 x 6.5 (272 x 277 x 165)	10.0 x 12.75 (254 x 324)		•	•	5.0 (2.3)
PDA2506-V	6													

PDA2500 Rugged Plastic NEMA 4X Enclosures

SPECIFICATIONS (CONTINUED)

Dimensions / Features

Model	# of Meters	Meter Type				DIN		Outside Dimensions (H x W x D) Inch (mm)	Inside Dimensions (H x W x D) Inch (mm)	Mounting Dimensions Inch (mm)	Conduit Hole	Fits PDA1024-01	Fits MOD-LH	Weight lb (kg)
		B	C	D	E	1/4	1/16							
No Cutouts														
PDA2503-B	N/A							11.7 x 8.4 x 5.1 (297 x 213 x 130)	8.7 x 6.9 x 4.5 (221 x 175 x 114)	10.75 x 6.0 (273 x 152)		•	•	3.0 (1.4)
PDA2506-B	N/A							13.7 x 12.4 x 7.1 (348 x 315 x 181)	10.7 x 10.9 x 6.5 (272 x 277 x 165)	12.75 x 10.0 (324 x 254)		•	•	5.0 (2.3)
PDA2508-B	N/A							15.7 x 12.4 x 7.1 (399 x 315 x 181)	12.7 x 10.9 x 6.5 (323 x 277 x 165)	12.75 x 10.0 (324 x 254)		•	•	5.5 (2.5)
PDA2510-B	N/A							17.7 x 14.4 x 7.1 (450 x 366 x 180)	14.7 x 10.9 x 6.5 (373 x 277 x 165)	16.75 x 12.0 (425 x 305)		•	•	7.3 (3.3)



Download free 2-D CAD files of these enclosures to simplify your drawings!

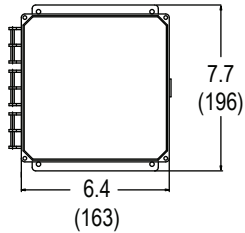
predig.com/documentation-cad

PDA2500 Rugged Plastic NEMA 4X Enclosures

DIMENSIONS

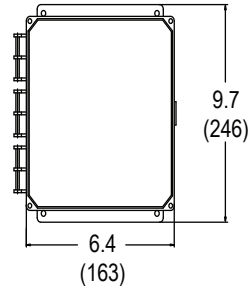
Units: Inches (mm)

Extra Small Enclosures



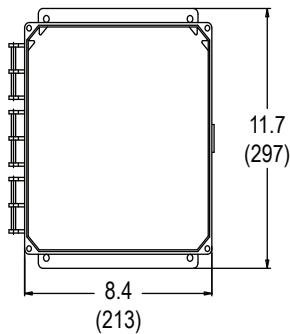
Dimensions for: PDA2501, PDA2501-V, PDA2501-4, PDA2501-16.

Small Enclosure



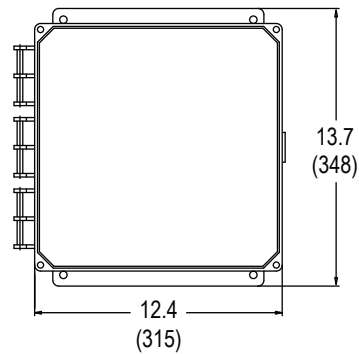
Dimensions for: PDA2502.

Medium Enclosures



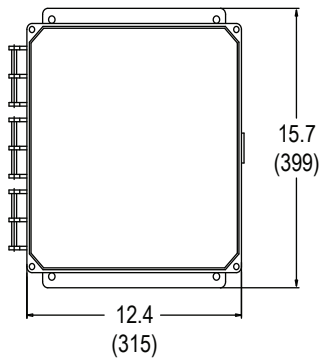
Dimensions for: PDA2502-V, PDA 2522, PDA2503, PDA2503-B, PDA2503-1, PDA2503-2.

Large Enclosures



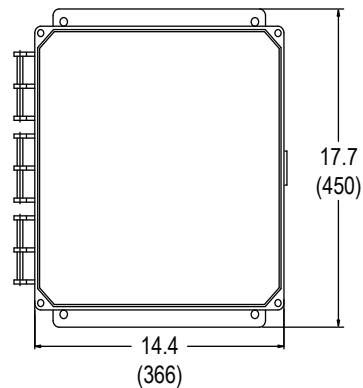
Dimensions for: PDA2504, PDA2504-V, PDA2504-1, PDA2504-2, PDA2504-3, PDA2505, PDA2505-V, PDA2506, PDA2506-B, PDA2506-V, PDA2512.

Extra Large Enclosures



Dimensions for: PDA2507, PDA2508, PDA2508-B.

Jumbo Enclosures



Dimensions for: PDA2509, PDA2510, PDA2510-B.



Download free 3-D CAD files of these enclosures to simplify your drawings!

predig.com/documentation-cad

PDA2500 Rugged Plastic NEMA 4X Enclosures

ORDERING INFORMATION

Horizontal Cutouts

Model	# of Meters	1/8 DIN Meter Type				DIN	
		B	C	D	E	1/4	1/16
PDA2501	1	•	•				
PDA2501-4	1					•	
PDA2501-16	1						•
PDA2502	2	•	•				
PDA2503	3	•	•				
PDA2503-1	1	•	•				
PDA2503-2	2	•	•				
PDA2504	4	•	•		•		
PDA2504-1	1	•	•		•		
PDA2504-2	2	•	•		•		
PDA2504-3	3	•	•		•		
PDA2505	5	•	•		•		
PDA2506	6	•	•		•		
PDA2507	7	•	•		•		
PDA2508	8	•	•		•		
PDA2509	9	•	•		•		
PDA2510	10	•	•		•		
PDA2512	2	•	•		•		

Vertical Cutouts

Model	# of Meters	1/8 DIN Meter Type				DIN	
		B	C	D	E	1/4	1/16
PDA2501-V	1			•			
PDA2502-V	2			•			
PDA2503-V	3			•			
PDA2504-V	4			•			
PDA2505-V	5			•			
PDA2506-V	6			•			
PDA2522	1	•	•	■	•		

• Available ■ 1 Required

1/8 DIN Meter Types

Type	Meters
B	PD542, PD543, and PD562
C	PD603, PD644, PD743, PD765, PD6602, PD6603, PD6604, PD6606, PD6607, PD6608, PD6622, PD6624, and PD6626, and PD6628.
D	PD138, PD154, and PD158
E	PD6000, PD6001, PD6060, PD6080, PD6081, PD6088, PD6089, PD6100, PD6200, PD6210, PD6262, PD6300, PD6310, PD6310-WM, PD6363, PD6400, and PD7000

WARNING

Cancer and Reproductive Harm - www.P65Warnings.ca.gov

No Cutouts

Model	Description
PDA2503-B	Enclosure with no Cutouts
PDA2506-B	Enclosure with no Cutouts
PDA2508-B	Enclosure with no Cutouts
PDA2510-B	Enclosure with no Cutouts

Sub-Panels

Model	Description
PDP2503	For PDA2503
PDP2504	For PDA2504 - PDA2506, & PDA2512
PDP2508	For PDA2507 & PDA2508
PDP2510	For PDA2509 & PDA2510

Accessories

Model	Description
MOD-LHRB1	Red ⁽³⁾ Light / Horn + Reset Button with Holes Drilled ⁽¹⁾
PDA-BUTTON1R	Reset Button ⁽²⁾
PDA-LHR	Red ⁽³⁾ Light / Horn
PDA1002	6" DIN Rail Mounting Kit
PDA1024-01	24 VDC Power Supply for DIN Rail
PDA-SSTAG	Stainless Steel Tag
PDX18DIN-FILLER	1/8 DIN Cutout Filler

- When this MOD is ordered, the enclosure comes pre-drilled with holes for Light / Horn and Reset Button to be installed by user. Meter and enclosure are sold separately. The Light / Horn hole is in the back left corner of the enclosure and the Reset button is centered on the front of the enclosure about an inch off the bottom of the door. If the user would prefer to mount these items in different locations, order the PDA-LHR and the PDA-BUTTON1R separately and drill holes and mount as desired.
- The Reset Button works only with meters that have digital input contacts like the F4 terminals on the ProVu. There are no such terminals on a Trident meter so the front panel ACK button on the Trident would have to be used for reset purposes.
- For other light color options see the MOD-LH Series manual (LIMMODLH).

Your Local Distributor is:

Order from:

C A Briggs Company

622 Mary Street; Suite 101

Warminster, PA 18974

Phone: 267-673-8117 - Fax: 267-673-8118

Sales@cabriggs.com - www.cabriggs.com

Disclaimer

The information contained in this document is subject to change without notice. Precision Digital Corporation makes no representations or warranties with respect to the contents hereof, and specifically disclaims any implied warranties of merchantability or fitness for a particular purpose.

©2010-2019 Precision Digital Corporation. All rights reserved.

LDS2500_H 03/19