



TIMERS

DELAY ON OPERATE

**MADE IN
THE U.S.A.**



UL FILE # E101681

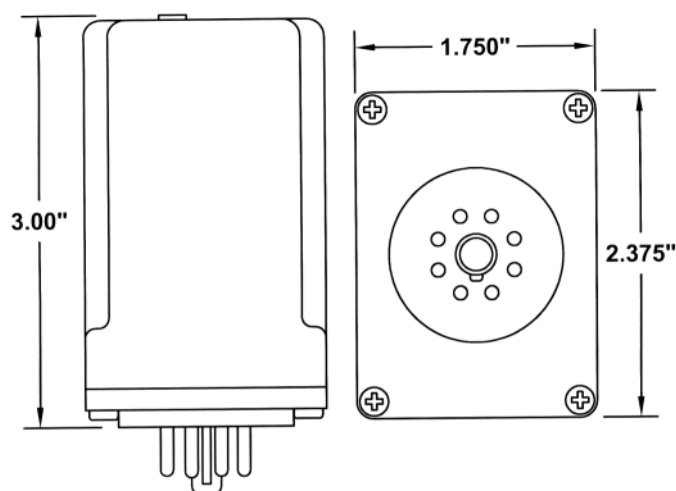


FEATURES:

- Solid State Circuitry
- Standard Timing Ranges
- DPDT 10A Relay
- Plug In Base
- Economical
- Easy to Install

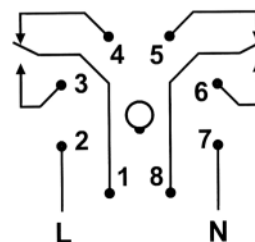
OPERATION

The 021 timer offers a delay on operate function. The timing range is user specified up to one hour. The timer can be manually set to any time within the selected range. Timing is initiated by application of power to the timer between terminals 2 and 7. Upon completion of the timing cycle, the output relay will energize.



SPECIFICATIONS

Supply Voltage:	120 VAC \pm 10% 1 Phase 50/60 Hz
Relay Type:	DPDT
Output Rating:	10A Resistive @ 240VAC 3.6A Inductive @ 240VAC
Power Dissipation:	Less Than 1 Watt
Operating Temp:	-40°C to +60 °C
Storage Temp:	-45°C to +85 °C
Typical Reset Time:	30 ms
Enclosure:	White Lexan
Base:	Phenolic



ORDERING INFORMATION

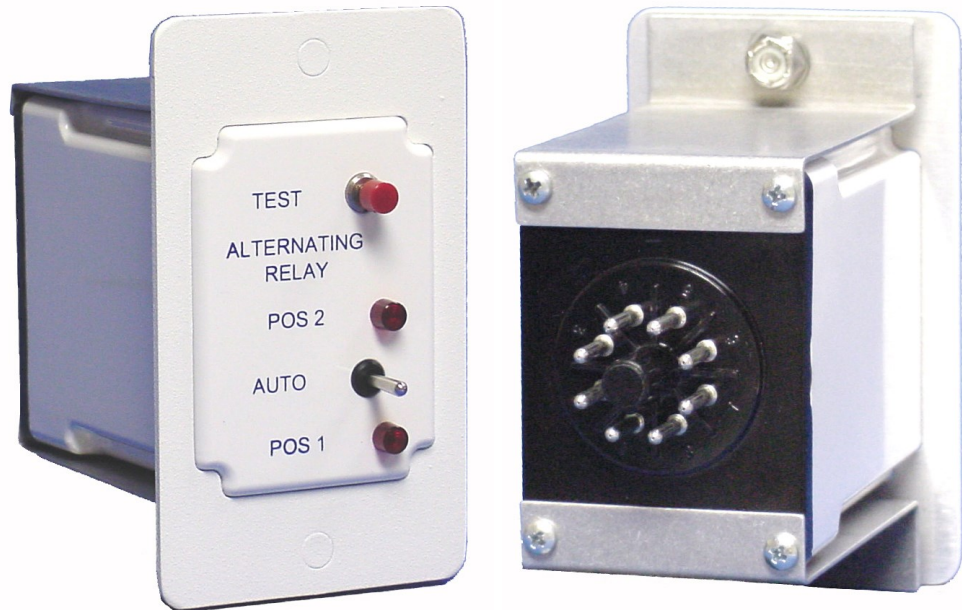
Product Type 021 - 120 - XXXX
 Operating Voltage _____
 120 = 120VAC
 Timing Range _____

0010 = 1 to 10 seconds	0200 = 20 to 200 seconds
0020 = 2 to 20 seconds	0300 = 30 to 300 seconds
0030 = 3 to 30 seconds	0600 = 60 to 600 seconds
0060 = 6 to 60 seconds	0900 = 90 to 900 seconds
0090 = 9 to 90 seconds	1200 = 120 to 1200 seconds
0120 = 12 to 120 seconds	1800 = 180 to 1800 seconds
0180 = 18 to 180 seconds	3600 = 360 to 3600 seconds



**MADE IN
THE U.S.A.**

SMALL CASE MOUNTING BRACKET KIT



The Mounting Bracket Kit provides a simple and economical method of securing an Alternating Relay to the deadfront of a control panel.

TYPICAL APPLICATIONS

- Where the lead select switch and/or Alternator test switch must be on the deadfront.

COST SAVINGS!

Punch one hole, attach bracket kit. Compare this to material costs of two switches, multiple contact blocks, labor to wire from deadfront door to Alternator, plus engineering time drawing switches into electrical schematic.

FEATURES

- Sturdy aluminum construction
- Stainless steel stud pressed fit into bracket faceplate
- Mounting hardware included
- Very fine textured painted surface
- Color - White

ORDERING INFORMATION

Part Number: DFB-W

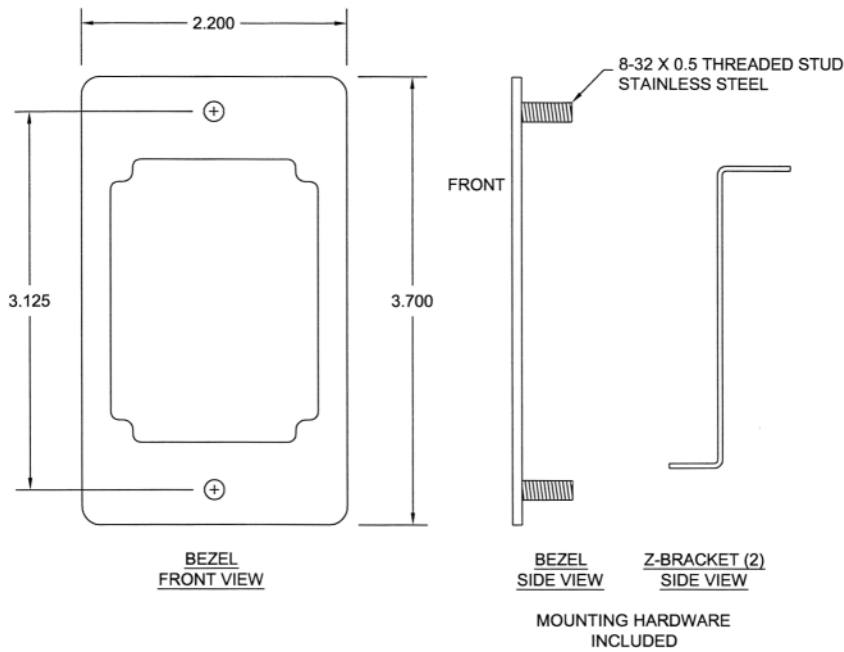
SOCKETS*

(MUST BE ORDERED SEPARATELY)

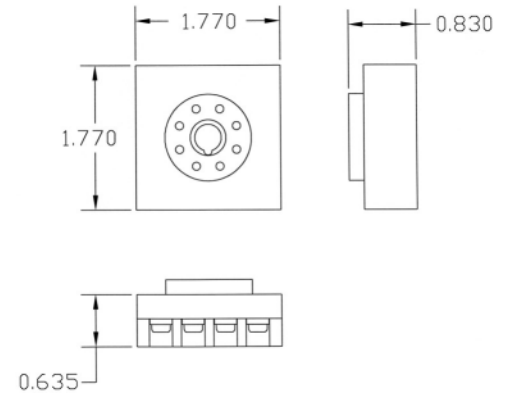
8 Pin Reverse Mount – P3G-08
11 Pin Reverse Mount – P3GA-11

* For customer savings analysis, subtract cost of regular socket from cost of reverse mounted socket.

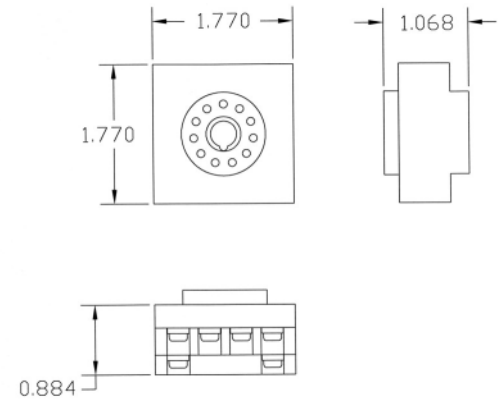
BRACKET KIT



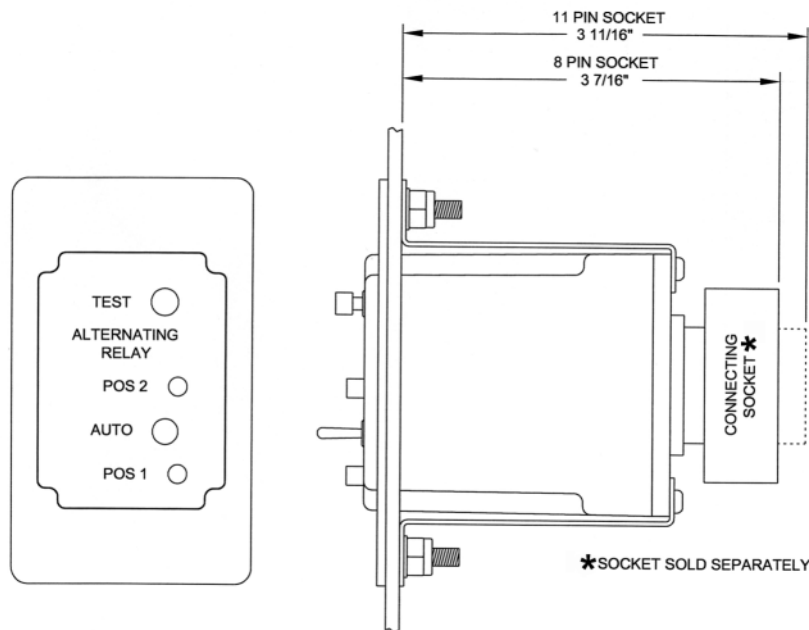
SOCKET - P3G-08



SOCKET - P3GA-11



INSTALLATION DIAGRAM



INSTALLATION INSTRUCTIONS

- 1 Attach both Z-brackets to Alternator.
- 2 Cut and drill holes in panel door per installation template.
- 3 Hold the bezel over front of hole cut into deadfront.
- 4 Insert the Alternator through the back of hole.
- 5 Fasten assembly to panel door using hardware provided.