



The Exerciser®

MADE IN THE U.S.A.

Sump and Sewage Pump Exerciser For Piggy-Back Float Operated Pumps



FEATURES

- Exercises Sump and Sewage Pumps for:
 - Basements
 - Elevator Sump Areas
 - Truck Loading Docks
 - Dry Pit Sump Areas
- Automatically operates Pump for 3 seconds every 7 days.
- Provides Float Switch Input for On/Off level control of Pump.
- Provides Power On and Pump Run LED indication.
- Detects when a foreign object keeps the Pump from turning freely, turns the Pump off, and activates the Fault Alarm.
- Provides Audible Alarm with flashing LED indication as well as Alarm Contact for connection to building Alarm System.
- Test/Reset Push-button to test Pump operation or to reset Alarm.
- Designed for 115 V Pumps up to and including 1/2 HP.

DESCRIPTION

The Exerciser® reads the state of the Float Switch and turns the pump ON when the Float Switch closes, and turns the pump OFF when the Float Switch opens. If the pump has not run for 7 days, The Exerciser® will automatically exercise the pump for 3 seconds. The 7 day exercise time delay is reset each time the pump is called to run by the Float Switch.

The Exerciser® also detects if a foreign object is keeping the pump from turning freely by monitoring both the motor inrush current and the motor run current. If The Exerciser® detects a fault condition, it turns the pump off, turns on the audible alarm, flashes the Run/Fault LED, and closes the alarm relay contact. One minute after a fault condition is first detected, The Exerciser® will again attempt to start the pump. If the fault is detected the second time, The Exerciser® wait one more minute and then try a third time to start the pump. If the pump starts and runs normally, the fault history clears after thirty minutes. If the pump fails to start and run the third time, the fault condition remains present until the reset button is depressed.

The Test/Reset push-button has two functions: If there is no fault present, pressing the button will start the 3 second Pump Exercise cycle, and reset the exercise time delay for 7 more days. If a fault alarm is present, pressing the button will silence the buzzer and reset the alarm, allowing normal operation. (Assuming that the pump is free of any obstruction.)

Reminder: Always unplug pump from Exerciser when inspecting pump.

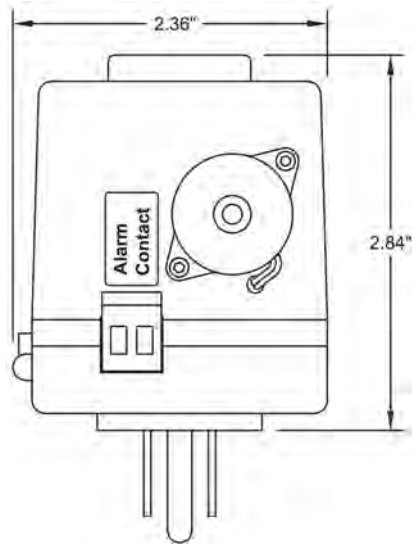
SPECIFICATIONS

Supply Voltage:	115 VAC ± 10%, 1 Phase 50/60 Hz
Power Consumption:	3.8 VA max
Pump Output Rating:	1/2 HP @ 115 VAC
Alarm Contact Rating:	6 Amp @ 120 VAC
Alarm Buzzer Rating:	90 dB @ 30 cm
Float Switch Input Voltage:	2.0 VDC ± 10%
Operating Temp:	+10 °C to +32 °C
Storage Temp:	-45 °C to +85 °C
Enclosure:	Black Plastic

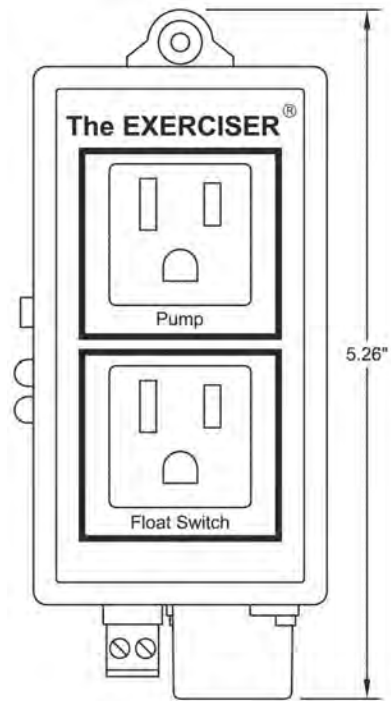
ORDERING INFORMATION

Part Number: SPEX-1

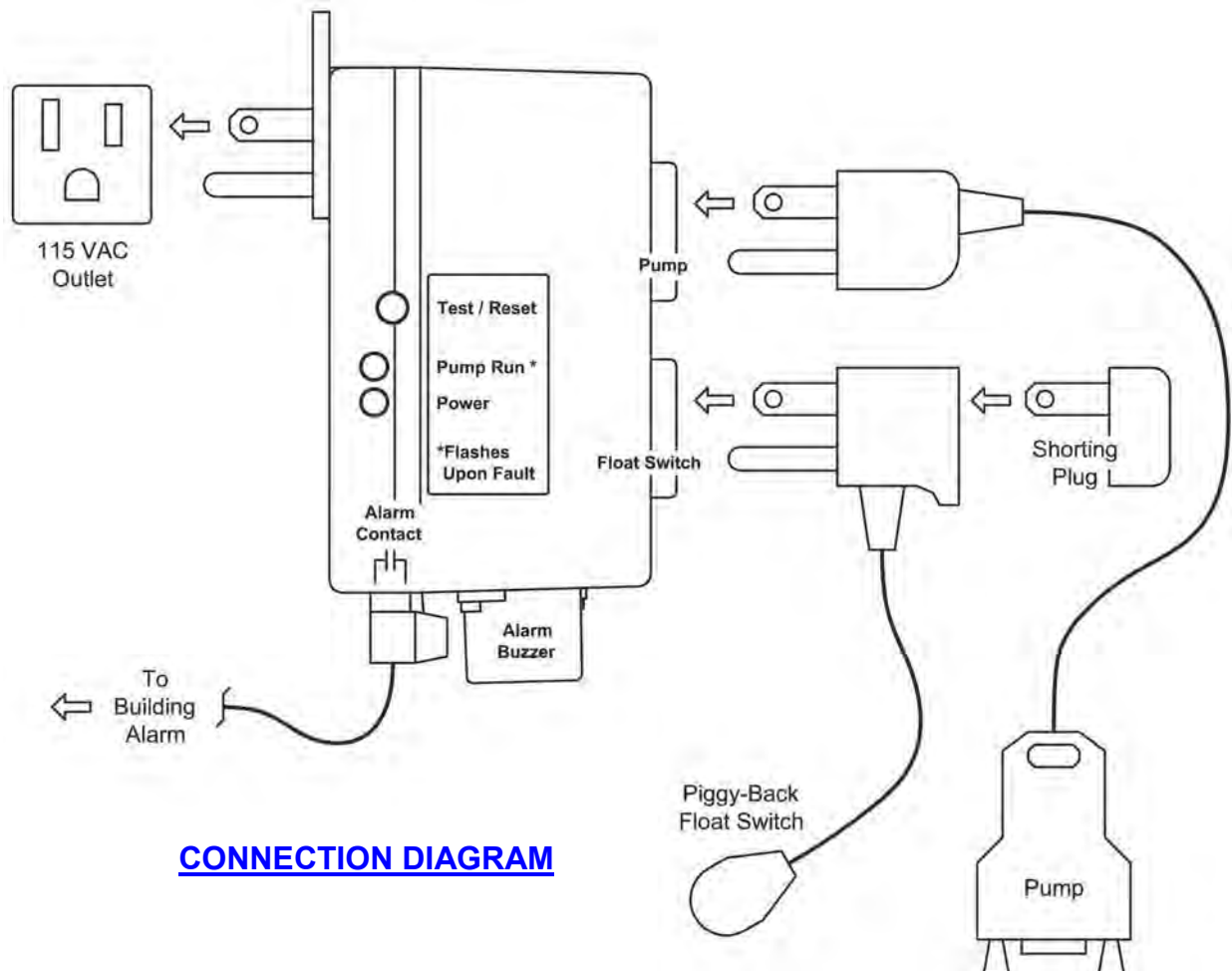
The Exerciser®



BOTTOM VIEW



FRONT VIEW



CONNECTION DIAGRAM



The Exerciser®

MADE IN THE U.S.A.

Sump and Sewage Exerciser For Integral Float Operated Pumps



FEATURES

- Exercises Sump and Sewage Pumps for:
 - Basements
 - Elevator Sump Areas
 - Truck Loading Docks
 - Dry Pit Sump Areas
- Automatically operates Pump for 3 seconds every 7 days.
- Provides Float Switch Input for On/Off level control of Pump.
- Provides Power On and Pump Run LED indication.
- Detects when a foreign object keeps the Pump from turning freely, turns the Pump off, and activates the Fault Alarm.
- Provides Audible Alarm with flashing LED indication as well as Alarm Contact for connection to building Alarm System.
- Test/Reset Push-button to test Pump operation or to reset Alarm.
- Designed for 115 V Pumps up to and including 1/2 HP.

DESCRIPTION

The Exerciser® reads the state of the Float Switch and turns the pump ON when the Float Switch closes, and turns the pump OFF when the Float Switch opens. If the pump has not run for 7 days, The Exerciser® will automatically exercise the pump for 3 seconds. The 7 day exercise time delay is reset each time the pump is called to run by the Float Switch.

The Exerciser® also detects if a foreign object is keeping the pump from turning freely by monitoring both the motor inrush current and the motor run current. If The Exerciser® detects a fault condition, it turns the pump off, turns on the audible alarm, flashes the Run/Fault LED, and closes the alarm relay contact. One minute after a fault condition is first detected, The Exerciser® will again attempt to start the pump. If the fault is detected the second time, The Exerciser® wait one more minute and then try a third time to start the pump. If the pump starts and runs normally, the fault history clears after thirty minutes. If the pump fails to start and run the third time, the fault condition remains present until the reset button is depressed.

The Test/Reset push-button has two functions: If there is no fault present, pressing the button will start the 3 second Pump Exercise cycle, and reset the exercise time delay for 7 more days. If a fault alarm is present, pressing the button will silence the buzzer and reset the alarm, allowing normal operation. (Assuming that the pump is free of any obstruction.)

Reminder: Always unplug pump from Exerciser when inspecting pump.

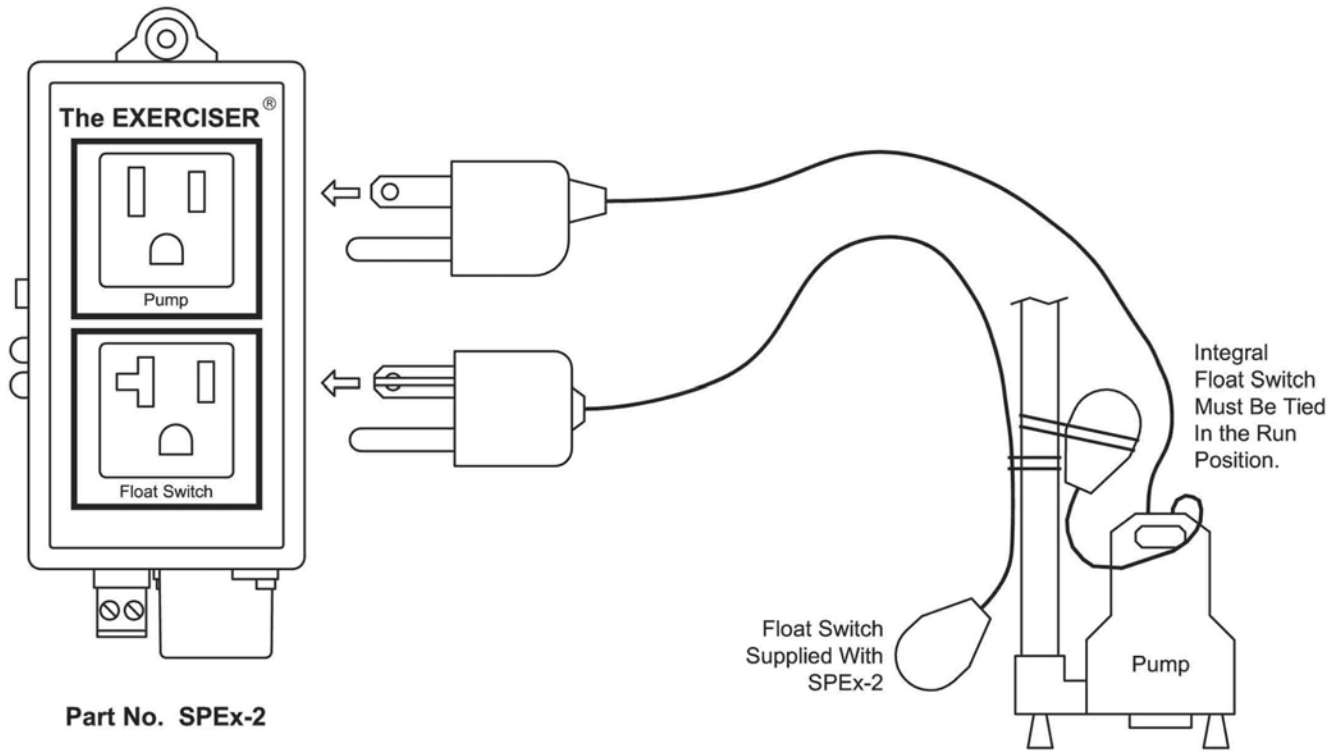
SPECIFICATIONS

Supply Voltage:	115 VAC ± 10%, 1 Phase 50/60 Hz
Power Consumption:	3.8 VA max
Pump Output Rating:	1/2 HP @ 115 VAC
Alarm Contact Rating:	6 Amp @ 120 VAC
Alarm Buzzer Rating:	90 dB @ 30 cm
Float Switch Input Voltage:	2.0 VDC ± 10%
Operating Temp:	+10 °C to +32 °C
Storage Temp:	-45 °C to +85 °C
Enclosure:	Black Plastic

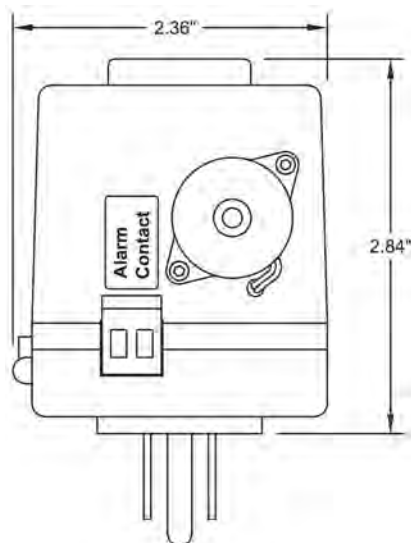
ORDERING INFORMATION

Part Number	SPEX-2 (Exerciser Only)
Part Number	SPEX-2MP Exerciser and Mating Plug for Float Switch Receptacle. (No Float Switch)
Part Number	SPEX-2FS Exerciser and Float Switch with Mating Plug for Float Switch Receptacle

The Exerciser®



CONNECTION DIAGRAM



BOTTOM VIEW