



# ADJUSTABLE TRANSMITTER

## FEATURES

- Single Turn Potentiometer with 4-20 mA Scale
- Transient Voltage Protection
- Internal Fuse
- Internal Series Diode
- Zero and Span Calibration

## TYPICAL APPLICATIONS

Used to simulate a 4-20 mA signal from field devices while testing control equipment.

Used to calibrate equipment having a 4-20 mA analog input.

Use as part of a product demo unit that requires control of a 4-20 mA analog input for demonstration purposes.

## OPERATION

The Adjustable Transmitter is a device that is placed in an analog current loop in order to test, calibrate or demo equipment. It may be used to simulate analog field devices such as Pressure Transducers or Temperature Transmitters.

When placed in a analog current loop, the Adjustable Transmitter regulates the current in the loop to the setting on the knob, between 4 and 20 mA.

Where a precise current setting is required, an Ammeter may be placed in the current loop, and used to display the loop current.

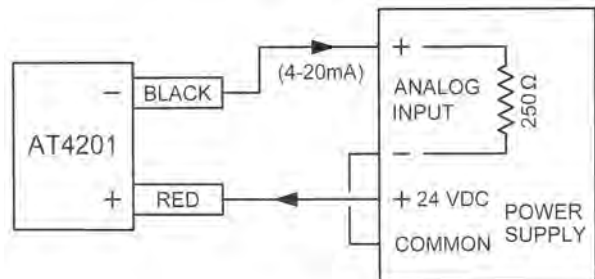
## CALIBRATION

To calibrate the Zero setting, place an Ammeter in the loop, turn the knob all the way to the left and turn the Zero adjustment screw until the Ammeter reads 4.00 mA.

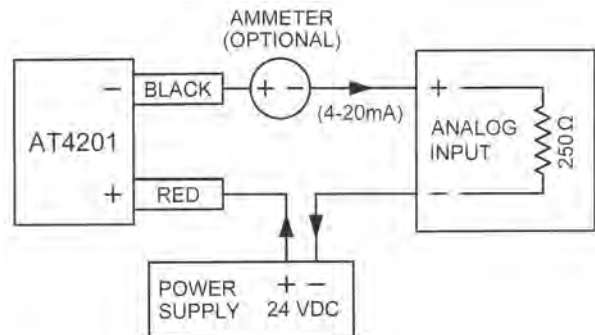
To calibrate the Span setting, turn the knob all the way to the right and turn the Span adjustment screw until the Ammeter reads 20.0 mA.



### Connection with Internal Power Supply



### Connection with External Power Supply



## SPECIFICATIONS

Operating Voltage Range:	10.0 – 35.0 VDC
Internal Fuse:	1/8 Amp, 125 Volt
Dimensions:	4.2" x 2.5" x 2.20"
Operating Temperature:	-18 °C to +77 °C
Maximum Loop Resistance:	600 Ohms

## ORDERING INFORMATION

Model Number: AT4201