

Dual Float Controller

GLL100000 ▼ Dual Float Controller

The Dual Float Controller has been designed especially for use with customer supplied floats. It can perform single or dual channel pump control and is a very economical way to monitor your system.

- Low cost pump control
- 120VAC or 240VAC operation
- Compact design



GLL100000

General Specifications

Power: 120VAC or 240VAC, (50/60)Hz, 1.8Watts

Control Elements: 1 or 2 reed switches or floats (customer supplied)

Sense Voltage: 5VDC

Sense Current: 6mA

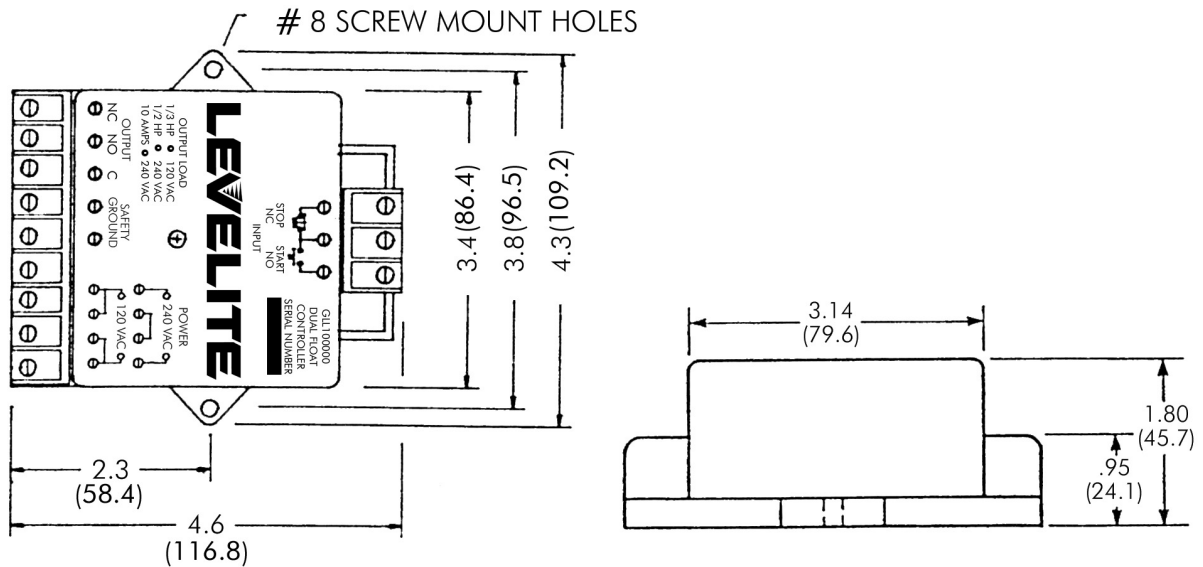
Output Relay: SPDT, 10Amps at 240VAC, 10Amps at 30VDC, 1/3HP at 120VAC, 1/2HP at 240VAC

Operating Temperature: -20° F to 150° F (-28° C to 65° C)

Electrical Connection: Screw terminal block

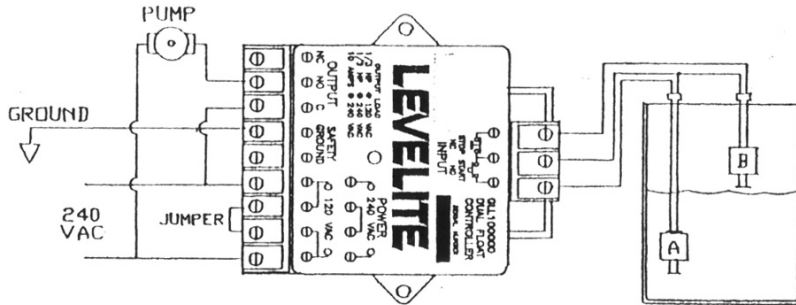
Dimensions: 4.6" x 4.3" x 1.8" (116.8mm x 109.2mm x 45.7mm)

Dimensions inch (mm)



Dual Float Controller (continued)

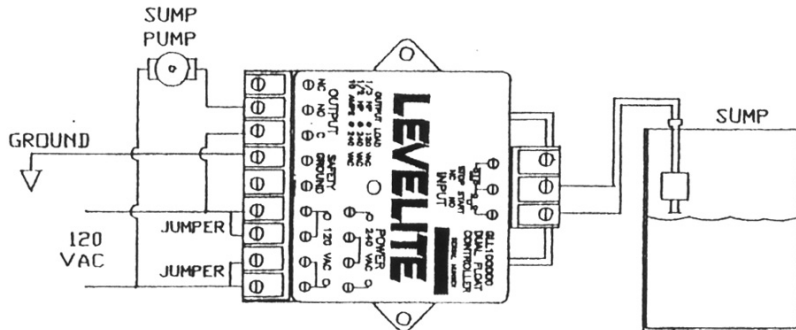
Wiring Diagram



EXAMPLE OF AUTOMATIC FILL WIRING.
 WHEN LEVEL DROPS BELOW 'A' PUMP TURNS ON.
 WHEN LEVEL RISES ABOVE 'B' PUMP TURNS OFF.
 THE TOP TERMINAL (NC) WOULD DRIVE THE PUMP IN AN AUTOMATIC EMPTY SYSTEM.
 NOTE ONE JUMPER SHOWN FOR 240 VAC OPERATION.

BOTH SWITCHES CLOSE WHEN DRY.

LOW VOLTAGE CONTROLLER WITH LARGE DIFFERENTIAL



EXAMPLE OF SUMP-PUMP WIRING
 OUTPUT IS ACTIVE WHILE SWITCH IS WET.
 NOTE TWO JUMPERS SHOWN FOR 120 VAC OPERATION.

SWITCH CLOSSES WHEN WET

LOW VOLTAGE SINGLE POINT CONTROLLER