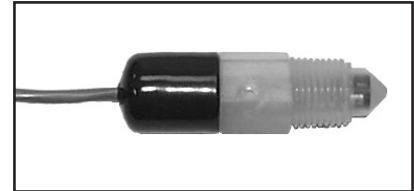


Integral Optic Level Sensors

INTEGRAL PFA TEFLON® CONTROLLER PROBE

Both probe models contain all of the necessary electronics internally, allowing them to be used without a separate controller. By combining circuit board electronics with photo detector sensing abilities, this probe can perform control or output functions. Signal processing takes place inside the probe, and an output change indicates and alarms when the probe tip is wet.



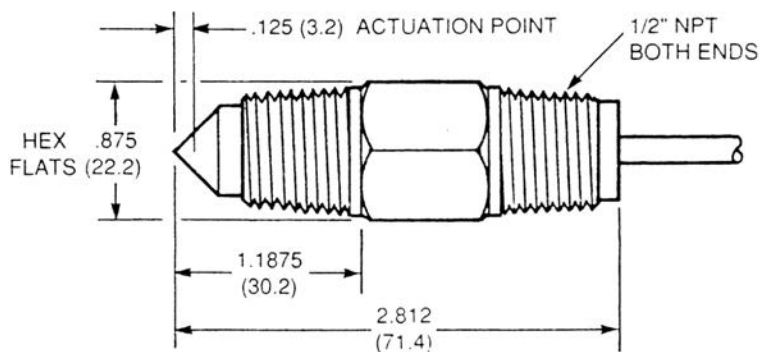
GLL100250

- Point Level Sensor, Leak Detector, Pump Protector
- Interfaces With Computer/PLC
- Self Contained Stand-alone Sensor
- Surface Mount Electronics
- For Corrosives and High Purity Liquids

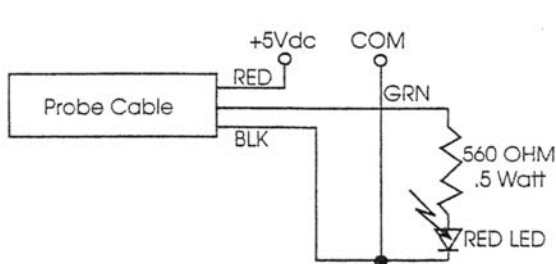
Description	Part Number
5 VDC	GLL100240
12-32 VDC	GLL100250

- GLL100240/5VDC, 20 mA maximum - sinking (output low when wet) and sourcing (output high when wet)
- GLL100250/12-32 VDC, 50 mA maximum - sourcing (output high when wet)
- User extendable to 1000 feet (300m) using Belden 8443, 3 conductor, 22 gauge or equivalent
- Operating Temperature: -20° F to 175° F (-29° C to 80° C)
- Max Pressure: 100 PSI (7 kg/cm²)

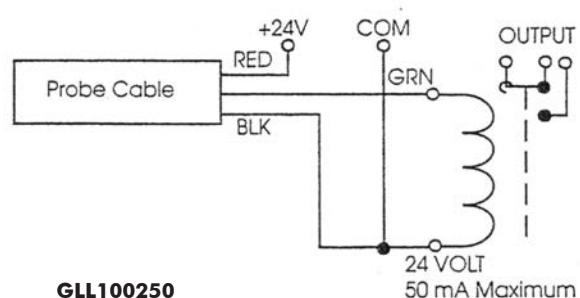
Dimensions inch (mm)



Wiring Diagram



GLL100240



GLL100250