

PROPRIETARY NOTICE: This document contains proprietary information of LASER TECHNOLOGY, INC. Neither the document or said proprietary information shall be published, reproduced, copied, disclosed, or used for any purpose other than consideration of this document without the express written permission of a duly authorized representative of said company.

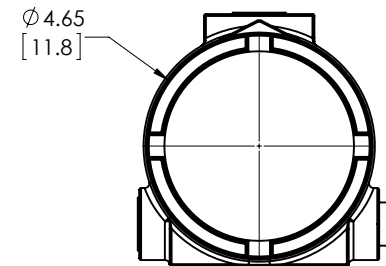
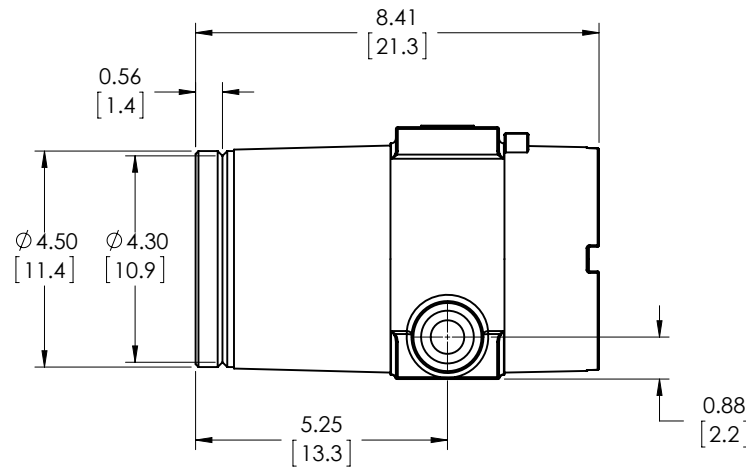
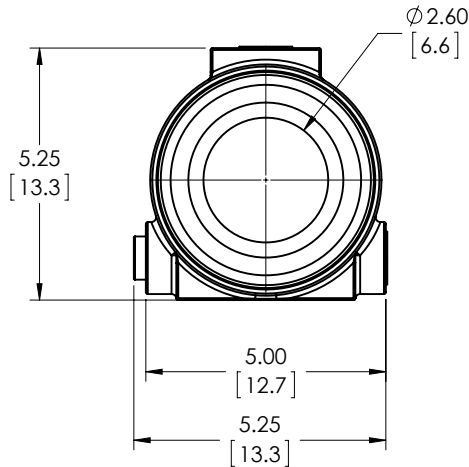
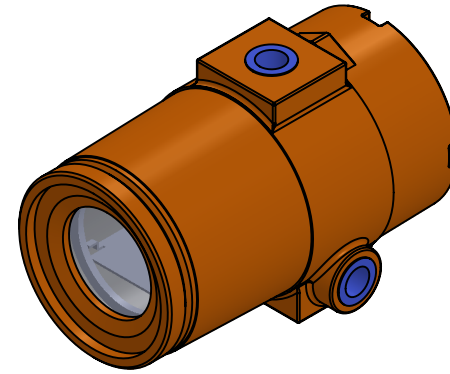
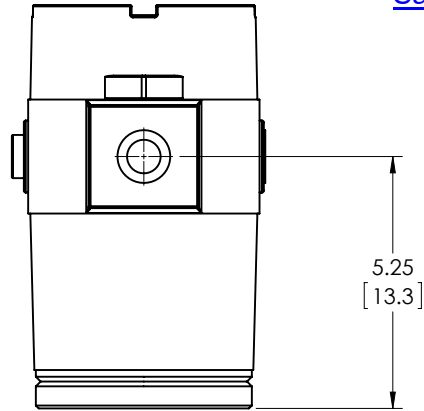
REVISION HISTORY			
REV.	ECO #	DESCRIPTION	APPROVED / DATE
A		CREATED DRAWING	W.R. 12/30/2014

Order from: C A Briggs Company

622 Mary Street; Suite 101; Warminster, PA 18974

Phone: 267-673-8117 - Fax: 267-673-8118

Sales@cabriggs.com - www.cabriggs.com



NOTES: UNLESS OTHERWISE SPECIFIED.

1. DIMENSIONS ARE IN INCHES AND [CENTIMETERS].

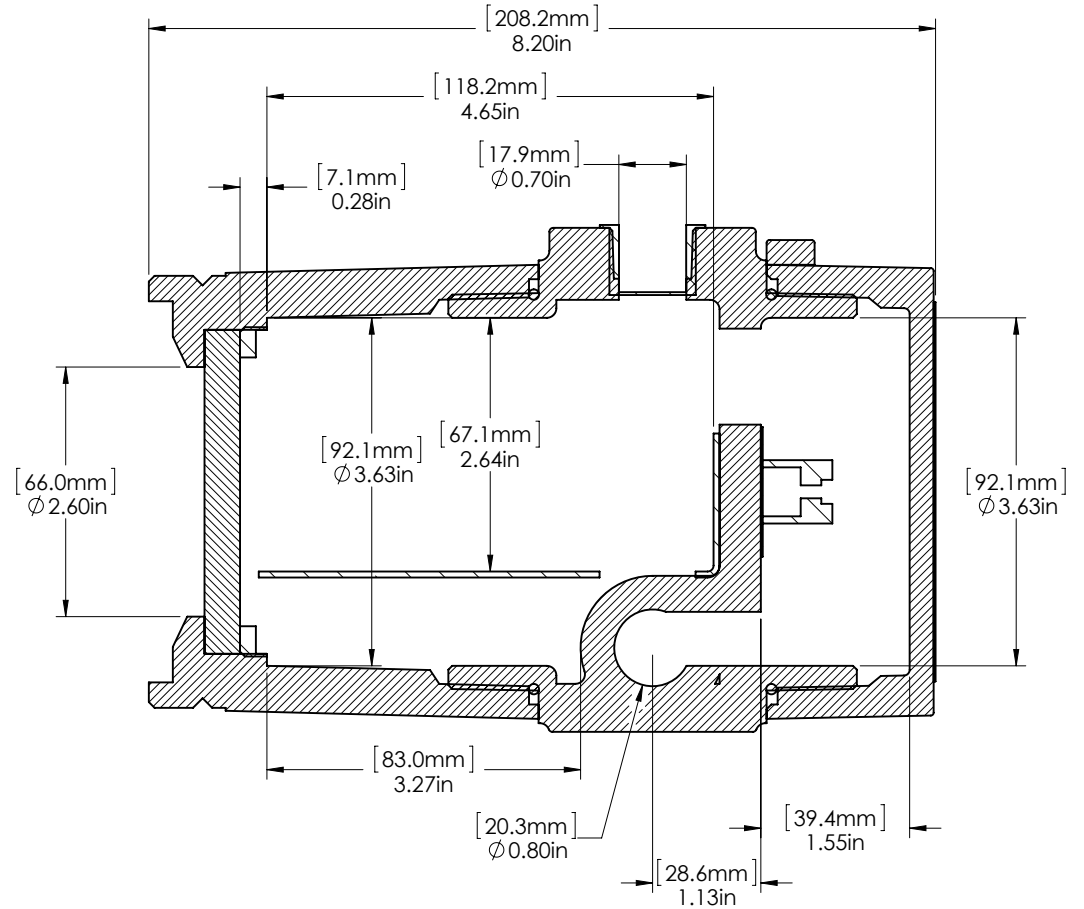
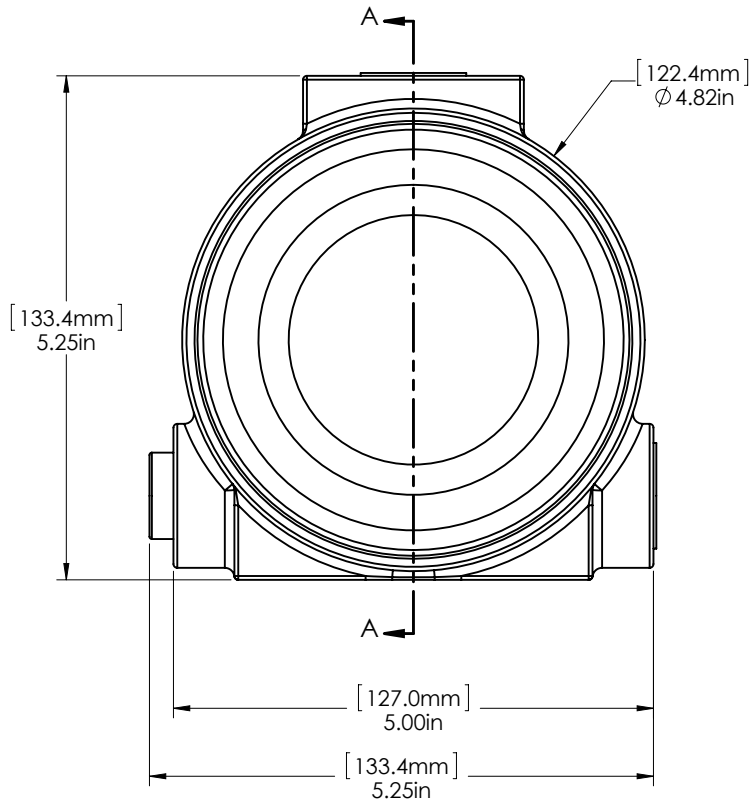
UNLESS OTHERWISE SPECIFIED DIMENSIONS ARE IN INCHES		DRAWN W. RETT	DATE 12/30/2014	6912 South Quentin St. Centennial, CO 80112
TOLERANCES: .X ± .025 ANGLES: ± 1/2° FINISH: 125 ✓		CHECKED	DATE	
DECIMALS: .XX ± .010 .XXX ± .005 .XXXX ± .001		APPROVED	DATE	RUGGEIZED ENCLOSURE DIMENSIONS
MATERIAL X	SIZE A	PART NUMBER		REV A
PROTECTIVE/DECORATIVE FINISH X	REF FILE NAME XXX	SCALE 1:4	SHEET 1 OF 1	

PART NUMBER
SHEET 1 OF 1
A

PROPRIETARY NOTICE: This document contains proprietary information of LASER TECHNOLOGY, INC. Neither the document or said proprietary information shall be published, reproduced, copied, disclosed, or used for any purpose other than consideration of this document without the express written permission of a duly authorized representative of said company.

DRAWING FOR REFERENCE ONLY

REVISION HISTORY			
REV.	ECO #	DESCRIPTION	APPROVED / DATE
A		CREATED DRAWING	W.R. 2/05/2016



SECTION A-A
SCALE 1 : 2

PART NUMBER
SHEET 1 OF 1
A

UNLESS OTHERWISE SPECIFIED DIMENSIONS ARE IN INCHES		DRAWN W. RETT	DATE 2/05/2016	6912 South Quentin St. Centennial, CO 80112
TOLERANCES: .X ± .025 ANGLES: ± 1/2° DECIMALS: .XX ± .010 FINISH: 125 ✓ .XXX ± .005 .XXXX ± .001		CHECKED	DATE	
MATERIAL		APPROVED	DATE	TRUSENSE S SERIES RUGGEDIZED ENCLOSURE
PROTECTIVE/DECORATIVE FINISH		SIZE A PART NUMBER		REV A
REF FILE NAME XXX		SCALE 1:2		SHEET 1 OF 1

