

**Operating Instructions
for
Floating Switch**

Model: NSED / NSEK



Order from: **C A Briggs Company**

622 Mary Street; Suite 101; Warminster, PA 18974

Phone: 267-673-8117 - Fax: 267-673-8118

Sales@cabriggs.com - www.cabriggs.com

1. Contents

1. Contents.....	2
2. Note	3
3. Instrument Inspection.....	3
4. Regulation Use	3
5. Mechanical Connection	4
6. Electrical Connection	5
6.1 General.....	5
6.2 Connection Examples.....	5
7. Technical Information	6
8. Order Codes	6
9. Dimensions	7
10. Declaration of Conformance	8

Manufactured and sold by:

Kobold Messring GmbH
Nordring 22-24
D-65719 Hofheim
Tel.: +49(0)6192-2990
Fax: +49(0)6192-23398
E-Mail: info.de@kobold.com
Internet: www.kobold.com

2. Note

Please read these operating instructions before unpacking and putting the unit into operation. Follow the instructions precisely as described herein.

The devices are only to be used, maintained and serviced by persons familiar with these operating instructions and in accordance with local regulations applying to Health & Safety and prevention of accidents.

When used in machines, the measuring unit should be used only when the machines fulfil the EWG-machine guidelines.

3. Instrument Inspection

Instruments are inspected before shipping and sent out in perfect condition. Should damage to a device be visible, we recommend a thorough inspection of the delivery packaging. In case of damage, please inform your parcel service / forwarding agent immediately, since they are responsible for damages during transit.

Scope of delivery:

The standard delivery includes:

- Floating Switch model: NSED / NSEK
- Operating Instructions

4. Regulation Use

Any use of the Floating switch, model: NSEK, which exceeds the manufacturer's specifications, may invalidate its warranty. Therefore, any resulting damage is not the responsibility of the manufacturer. The user assumes all risk for such usage.

5. Mechanical Connection

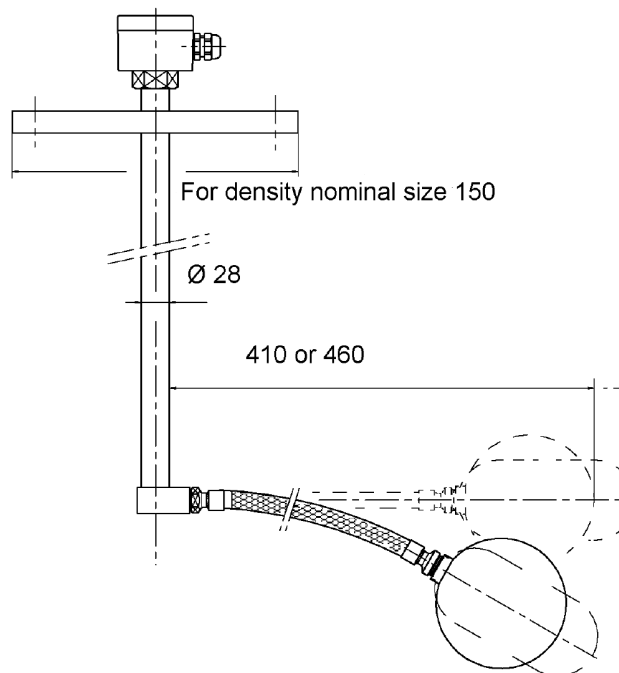
Before installation:

- Remove all transport packaging and ascertain that no packaging material is left in the instrument
- Please make sure that the allowable maximum operating pressure and operating temperature of the instruments will not be exceeded (see standard material combinations).

We recommend as a precaution for higher power loads, our contact protection relay MSR.

Mounting

- from inside: with R ½" connection
- from outside: with flange



7. Technical Information

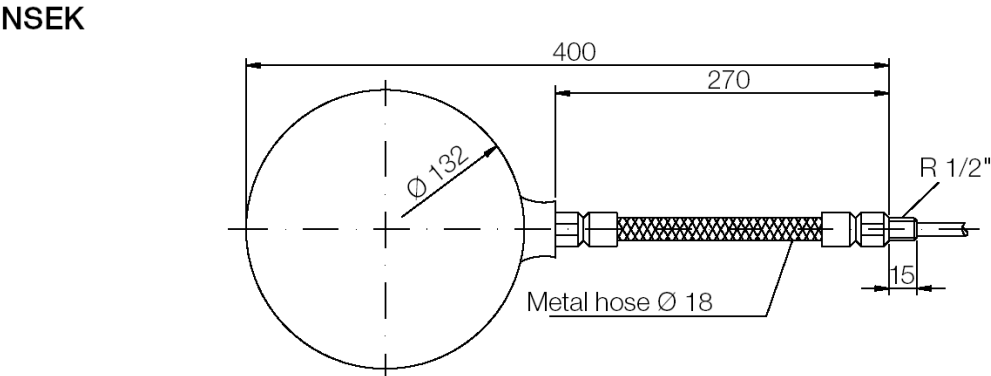
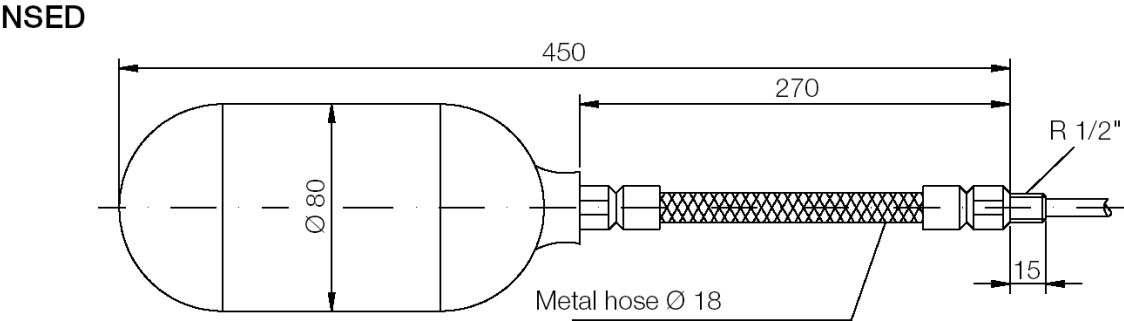
Application:	For highly aggressive, slurry, slowly floating or hot media
Mounting:	On the outside by means of a flange or on the interior wall with the screw joint R ½" supplied with the unit
Material float:	stainless steel 1.4571
Cable:	2 m silicone cable,
Max. pressure:	NSEK: 15 bar NSED: 6 bar
Max. temperature:	160 °C
Specific weight:	> 0,8kg/dm ³
Contact:	Mercury double throw contact
Switching performance:	max. 250 V _{AC} ; 150 V _{DC} ; 800 VA
Switching current:	4 A, 2 A at cos. 0,7
Safety class:	IP 68

8. Order Codes

Order codes (Example: **NSED-02 SIL**)

Description	Order no.
cylindrical float, 2 m silicone cable	NSED-02 SIL
ball float, 2 m silicone cable	NSEK-02 SIL

9. Dimensions



10. Declaration of Conformance

We, KOBOLD Messring GmbH, Hofheim-Ts, Germany, declare under our sole responsibility that the product:

Floating Switch Model: NSED / NSEK

to which this declaration relates is in conformity with the standards noted below:

EN 61 010 1994-03

EN 50178 1998-04

EN 60 529 2000-09

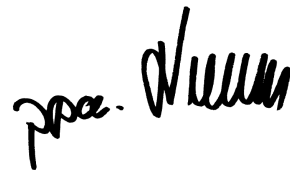
Also the following EWG guidelines are fulfilled:

2006/95/EC Low-voltage guideline
2004/108/EC Electromagnetic

Hofheim, 18. May 2004



H. Peters



M. Wenzel