



- Single channel
- Control circuit EEx ia IIC
- Reversible mode of operation
- Narrow design
- Standard rail mounting
- Protection: IP 20



Order from: **C A Briggs Compan**
622 Mary Street; Suite 101; Warminster, PA 18974
Phone: 267-673-8117 - 800-352-6265; Fax: 267-673-8118
Sales@cabriggs.com - www.cabriggs.com

Model:
KFD-2
KFA-6



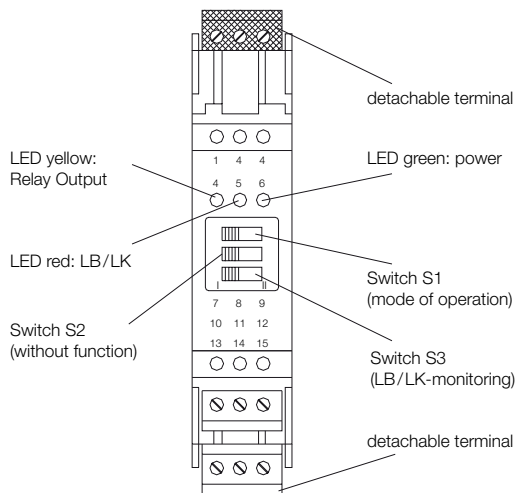
Description

The isolation switching amplifier transmits digital signals from hazardous areas. Sensors according to NAMUR or mechanical contacts may be used as signal transmitters. The control circuit is monitored for line interruption (LB) and line short-circuit (LK).

The input is safely isolated from the output and mains according to DIN EN 50 020. Output and mains are isolated from each other according to IEC661140.

The device is fitted with detachable terminals that greatly simplify the installation.

Front view



Order Details

Description	Order no.	
	Supply 24 V _{DC}	Supply 230 V _{AC}
Isolation switching amplifier, 1-channel	KFD2-SR2-Ex1.W	KFA6-SR2-Ex1.W

Technical Details

Auxiliary power

- Nominal voltage: 230 V_{AC} (45...65 Hz) or 24 V_{DC}
- Max. voltage satisfying safety requirements: 253 V_{AC}
- Power intake: ≤ 1 W (KFA6)
- Rated current: 20...23 mA
- Ripple factor: ≤ 10 % (KFD2)

Input

Intrinsically safe according to NAMUR and EN 60947-5-6

- Floating voltage: approximately: 8 V_{DC}
- Short-circuit current: approximately 8 mA
- Switch point: 1.2 - 2.1 mA
- Switching hysteresis: approximately 0.2 mA
- Input pulse length: ≥ 20 ms
- Input interpulse period: ≥ 20 ms
- Power monitoring: rupture I ≤ 0.1 mA, short-circuit I > 6 mA
- Ex-Protection: $\text{Ex} \text{ II (1) GD [EEx ia] IIC}$

Maximum values according to certificate of conformity

- Voltage U₀: 10.6 V KFA6, 10.5 V KFD2
- Current I₀: 19.1 mA KFA6, 13 mA KFD2
- Power P₀: 51 mW KFA6, 34 mW KFD2
- Protection type: EEx ia and EEx ib

Allowed connected values

	KFD2-SR2-Ex1.W			KFA6-SR2-Ex1.W		
	IIA	IIB	IIC	IIA	IIB	IIC
Explosion category	IIA	IIB	IIC	IIA	IIB	IIC
Exterior capacitance	75 µF	16.8 µF	2.41 µF	72 µF	16.2 µF	2.32 µF
Exterior inductivity	1 H	840 mH	210 mH	780 mH	390 mH	97 mH

Output

Changeover contact, not intrinsically safe

- Contact loading: 253 V_{AC} / 2 A / cos φ > 0,7
40 V_{DC} / 2 A resistive load
- Mechanical service life: 10⁷ switching cycles
- Delay: approximately 20 ms
- Operating frequency: < 10 Hz
- Case material: Macrolon
- Dimensions: 118 x 20 x 115 mm (HxWxD)
- Protection: IP 20
- Ambient temperature: -20...+60 °C
- Weight: approximately 150 g