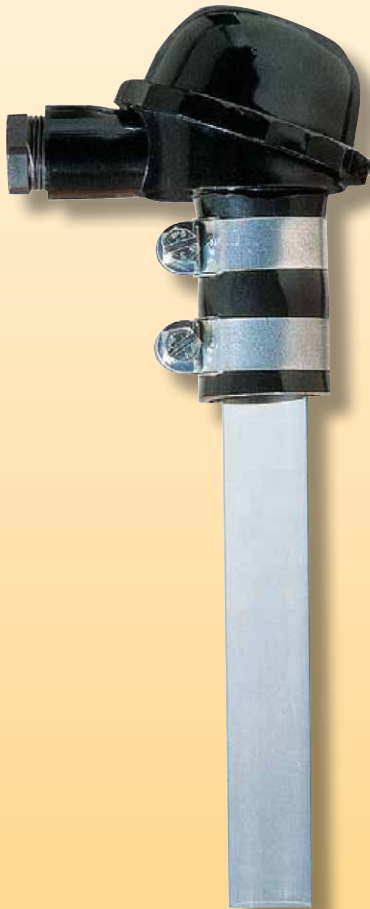


Static Pressure Level Switch



measuring
•
monitoring
•
analyzing

NDT



- Adjustable Setpoint
- Functions with Coating, Dirty, and Viscous Liquids
- SPDT Mechanical Switch
- Reliable and Economical



Order from: **C A Briggs Company**
622 Mary Street; Suite 101; Warminster, PA 18974
Phone: 267-673-8117 - Fax: 267-673-8118
Sales@cabriggs.com - www.cabriggs.com



Description

The KOBOLD NDT is designed to monitor liquid levels in open or vented tanks. It uses a differential pressure switch to measure the height of the liquid above the bottom edge of the user-supplied sensing pipe. Installation is simple: Install a pipe onto the NDT so that the bottom of the pipe extends four inches below the desired switchpoint. When the liquid level reaches the pipe bottom it seals off the pipe end. As the level continues to rise, the static pressure of the liquid outside the pipe will exert pressure on the air pocket trapped within the pipe, corresponding to the height of the media above the pipe end. The pressure switch, connected to the air pocket, is factory adjusted to change state when the liquid rises approximately 4 inches beyond the lower end of the tube and will reset when the level drops ~1 inch. As the pressure switch is mounted above the media level, switching takes place without the media ever contacting the sensing mechanism. Since the pipe is user-supplied, compatibility with chemical media is easily achieved.



Specifications

Wetted Parts

Directly Exposed to Liquid: User-supplied Pipe
Parts Exposed to Vapors: NBR, Polyamide, (Zn Plated Steel w/Clamp Version)

Sensor Housing: Black Polyamide

Media: Compatible, Free-Flowing Liquids

Fitting: R $\frac{1}{2}$ Female Thread or
Hose w/Clamp for
1" SCH 40 (1 $\frac{1}{4}$ " OD) Pipe

Switchpoint: Rising Level: ~4 inches Beyond End
of User Supplied Pipe
Falling Level : ~3 inches Beyond
End of User Supplied Pipe

Switch Hysteresis: ~20%

Switch Error: \pm 10%

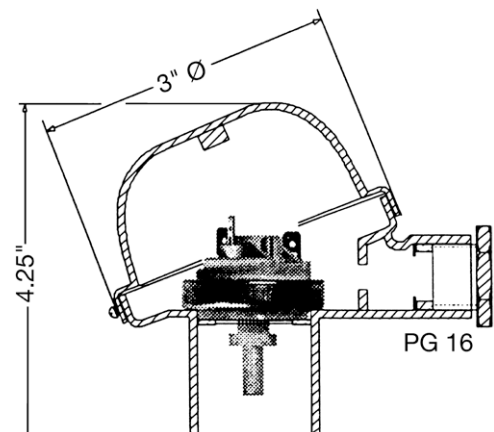
Media Temperature Range: 15...185 °F

Switch Type: SPDT Mechanical Switch

Max. Switch Rating: 250 V_{AC} at 6A Resistive Load

Protection: NEMA 4

Dimensions



Order Details (Example: NDT-2080)

Model Number	Sensing Tube Fitting
NDT-2020	R $\frac{1}{2}$ (1/2" BSPT) Female Threaded Connection
NDT-2080	Hose w/Clamp for 1 $\frac{1}{4}$ " OD Pipe

Order from: **C A Briggs Company**

622 Mary Street; Suite 101; Warminster, PA 18974

Phone: 267-673-8117 - Fax: 267-673-8118

Sales@cabriggs.com - www.cabriggs.com

No responsibility taken for errors; subject to change without prior notice.