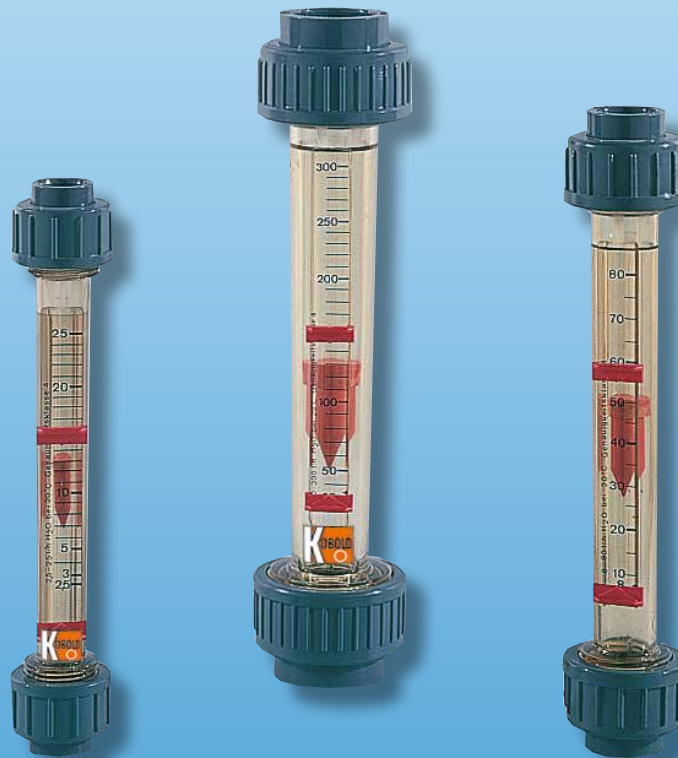


**Plastic Flowmeters
and Switches**
for Liquids and Gases



measuring
•
monitoring
•
analyzing

KSK



- Accuracy: $\pm 4\%$ of Full Scale
- Shock and Corrosion Proof
- Maximum Pressure: 145 PSIG
- Polysulfone Versions have Excellent Resistance to Acids and Alkaline Solutions
- Compact Design



Order from: **C A Briggs Company**
622 Mary Street; Suite 101; Warminster, PA 18974
Phone: 267-673-8117 - Fax: 267-673-8118
Sales@cabriggs.com - www.cabriggs.com



Description

The KOBOLD KSK plastic flowmeter/switch operates on the basis of the well known variable-area principle. The media flows upward through a conical measuring tube. The float is lifted by the flowing media and indicates the instantaneous flow rate on the scale attached to the flowmeter. The KSK series is all-plastic, with bodies made of polyamide or polysulfone to handle aggressive media.

For the control of flow setpoints, a bistable switch can be provided for the instrument. Reed contacts or transistor switches are available and can be used to monitor and alarm on an upset flow condition. The transistor switch has an LED on the contact housing to indicate switching status.

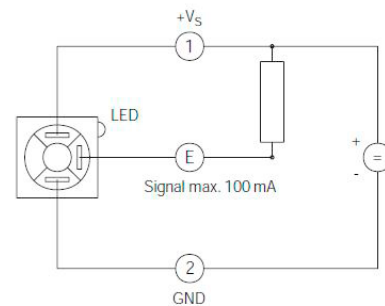
Measuring scales are available for water or air. Compressed air scales are available in SCFM, calibrated for direct readings at operating pressures from 0 to 145 PSIG. The compressed air scale table on page three shows the available ranges and calibration pressures for each meter size.



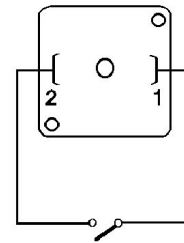
Specifications

- Accuracy:** ±4% Full Scale
- Flow Media:** Air or Water and Other Fluids
- Mounting:** Vertical, Flow Up
- Max. Media Temperature**
 - Polyamide:** 140 °F
 - Polysulfone:** 140 °F w/ PVC Fittings
180 °F w/ Brass & SS Fittings
- Max. Pressure:** 145 PSIG
- Materials**
 - Measuring Tube:** Polyamide, Polysulfone
 - Float:** PVDF
 - O-Rings:** EPDM
 - Connection with Capnut:** Per Ordering Code
- Switch Details**
 - NPN Transistor:** Hall-Sensor, Bistable
NPN Open Collector
 - Operating Voltage:** 9-24 VDC
 - Operating Current:** Max. 100 mA
 - Ambient Temp:** 130 °F Max.
 - Hysteresis:** <0.24"
 - Output Signal:** LED Lights w/ Flow
Above Setpoint
 - Reed Switch:** SPST N/O or N/C,
Based on Order Code
 - Electrical Ratings:** Max. 130 VAC
10 W / 10 VA, 0.5A
 - Ambient Temp:** Max. 130°F
 - Protection:** IP65

Transistor Switch



Reed Switch





Compressed Air Scale Ranges @ Specified Outlet Pressure

(NOTE: Air Units Available Only with Polysulfone (KSK-2...) Measuring Tube)

Model	SCFM 0 PSIG	SCFM 15 PSIG	SCFM 30 PSIG	SCFM 45 PSIG	SCFM 60 PSIG	SCFM 75 PSIG	SCFM 85 PSIG	SCFM 100 PSIG	SCFM 115 PSIG	SCFM 130 PSIG	SCFM 145 PSIG
KSK-..15	0.06...0.27	0.12...0.35	0.12...0.44	0.12...0.5	0.18...0.6	0.18...0.65	0.18...0.7	0.24...0.77	0.24...0.8	0.24...0.83	0.24...0.9
KSK-..25	0.12...0.65	0.15...0.9	0.18...1.1	0.18...1.3	0.24...1.5	0.30...1.6	0.30...1.7	0.30...1.8	0.35...2.0	0.35...2.1	0.60...2.1
KSK-..50	0.24...1.2	0.30...1.7	0.35...2.0	0.40...2.4	0.47...2.7	0.53...3.0	0.60...3.2	0.60...3.4	0.60...3.5	0.75...3.8	0.90...4.1
KSK-..80	0.30...1.8	0.40...2.5	0.40...3.3	0.60...3.8	0.60...3.9	0.60...4.0	1.0...5.0	0.90...5.3	0.90...5.6	0.90...6.0	0.90...6.2
KSK-..100	0.40...2.1	0.60...3.0	0.70...3.5	0.90...4.1	1.0...4.7	1.2...5.3	1.2...5.6	1.2...6.0	1.5...6.2	1.5...6.5	1.5...7.0
KSK-..150	0.60...3.5	0.90...4.4	1.2...5.3	1.2...7.0	1.5...7.7	1.5...8.3	1.8...8.9	1.8...9.4	1.8...10.0	2.1...10.1	2.1...11.5
KSK-..200	0.90...4.4	1.5...6.0	1.8...7.7	2.1...8.6	2.4...10.0	2.7...11.2	3.0...11.8	3.0...13.3	3.5...13.6	3.5...14.2	3.5...14.8
KSK-..300	0.60...6.0	0.90...8.3	1.2...10.0	1.5...11.8	1.8...13.6	1.8...14.2	2.1...14.8	2.1...16.2	2.1...17.7	2.4...18.3	2.4...18.9
KSK-..500	1.2...10.0	1.8...14.2	2.4...16.5	2.4...19.0	3.0...21.2	3.0...23.6	3.5...24.8	3.5...26.6	3.5...28.3	4.1...30.0	4.1...33.0
KSK-..999	3.5...18.3	4.7...26.0	6.0...32.0	7.1...36.6	7.1...41.0	8.9...44.3	8.9...47.2	8.9...53.1	8.9...56.0	8.9...59.0	11.8...62.0

Order Numbers for Standard Types

Water Range (GPM)	Max. Pressure Drop (PSI)	Material		Measuring Scale	Fittings	Switch Options
		Polyamide	Polysulfone			
0.006...0.05	0.07	KSK-1015..	KSK-2015..	Water Scale	For KSK-x015 to x100 ..K10.. = PVC, 3/8" Glue Socket ..T10.. = PVC, 3/8" NPT Female	..00 = Without ..S0 = 1 N/O Reed ..SS = 2 N/O Reed ..C0 = 1 N/C Reed ..CC = 2 N/C Reed ..E0 = 1 NPN ..EE = 2 NPN
0.01...0.10	0.07	KSK-1025..	KSK-2025..			
0.02...0.20	0.07	KSK-1050..	KSK-2050..			
0.04...0.44	0.07	KSK-1100..	KSK-2100..			
				Air Scale (See Table)	For KSK-x080 to x200 ..K15.. = PVC 1/2" Glue Socket ..T15.. = PVC 1/2" NPT Female ..IN1.. = Brass, 1/2" NPT Female ..AN1.. = Brass, 1/2" NPT Male ..AN3.. = 316 SS, 3/4" NPT Male ..IN2.. = 316 SS, 1/2" NPT Female ..AN2.. = 316 SS, 1/2" NPT Male	
0.035...0.35	0.07	KSK-1080..	KSK-2080..			
0.06...0.66	0.07	KSK-1150..	KSK-2150..			
0.08...0.8	0.07	KSK-1200..	KSK-2200..			
0.13...1.3	0.12	KSK-1300..	KSK-2300..	For KSK-x300 to x999 ..K25.. = PVC, 1" Glue Socket ..T25.. = PVC, 1" NPT Female		
0.22...2.2	0.12	KSK-1500..	KSK-2500..			
0.44...4.4	0.12	KSK-1999..	KSK-2999..			

Order from: **C A Briggs Company**

622 Mary Street; Suite 101; Warminster, PA 18974

Phone: 267-673-8117 - Fax: 267-673-8118

Sales@cabriggs.com - www.cabriggs.com

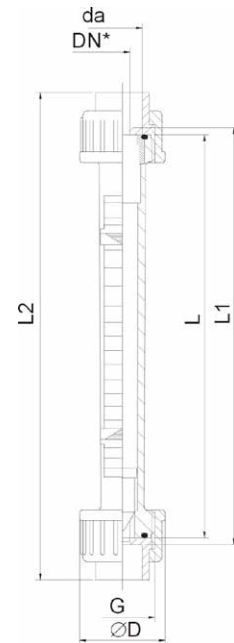
No responsibility taken for errors;
subject to change without prior notice.



Dimensions

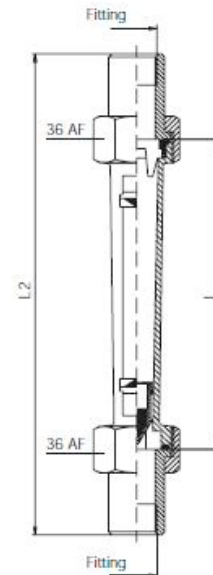
Dimensions with PVC Glue Socket, Female NPT

Model	DN	da	L	L1	L2
KSK-.015..	3/8"	1/2"	6.5	6.7	7.8
KSK-.025..	3/8"	1/2"	6.5	6.7	7.8
KSK-.050..	3/8"	1/2"	6.5	6.7	7.8
KSK-.080..	1/2"	3/4"	7.3	7.5	8.8
KSK-.100..	3/8"	1/2"	6.5	6.7	6.5
KSK-.150..	1/2"	3/4"	7.3	7.5	8.8
KSK-.200..	1/2"	3/4"	7.3	7.5	8.8
KSK-.300..	1"	1-1/4"	7.9	8.1	9.8
KSK-.500..	1"	1-1/4"	7.9	8.1	9.8
KSK-.999..	1"	1-1/4"	7.9	8.1	9.8



Dimensions with Special Thread Fittings in Brass or Stainless Steel

Model	L	L2	Female	Male	AF
KSK-.015..	6.5	-	-	-	-
KSK-.025..	6.5	-	-	-	-
KSK-.050..	6.5	-	-	-	-
KSK-.080..	7.3	9.6	1/2" NPT	1/2" or 3/4" NPT	36 mm
KSK-.100..	6.5	-	-	-	-
KSK-.150..	7.3	9.6	1/2" NPT	1/2" or 3/4" NPT	36 mm
KSK-.200..	7.3	9.6	1/2" NPT	1/2" or 3/4" NPT	36 mm
KSK-.300..	7.9	-	-	-	-
KSK-.500..	7.9	-	-	-	-
KSK-.999..	7.9	-	-	-	-



Order from: **C A Briggs Company**
 622 Mary Street; Suite 101; Warminster, PA 18974
 Phone: 267-673-8117 - Fax: 267-673-8118
Sales@cabriggs.com - www.cabriggs.com