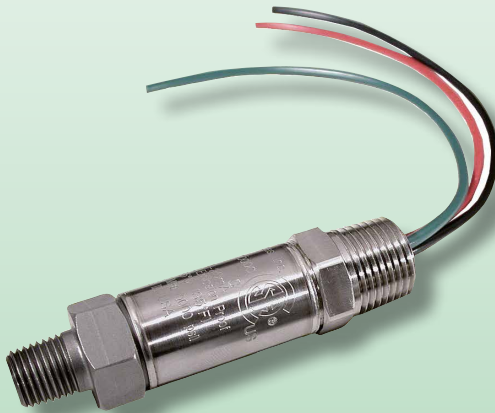


## Explosion-Proof Pressure Transmitter



measuring  
•  
monitoring  
•  
analyzing

KP46



- Pressure Range: 0...50 PSIG to 0...20000 PSIG
- Media Temperature Range: -55...250 °F
- Approved Explosion Proof for Class 1, Div. 1 and 2 Hazardous Locations
- Process Connection: 1/4" NPT (50 up to 10000 PSIG), 1/2" NPT (15000 & 20000 PSIG)
- Material: 316L Stainless Steel (50 up to 10000 PSIG), 17-4PH (15000 & 20000 PSIG)
- Output: 4...20 mA
- Rugged Factory Sealed Case Withstands Harsh Environments, Shock, and Vibration
- Typical Applications: Natural Gas Compressors, Pipeline Equipment, Well-Head Pressure, and Oil Platform Equipment



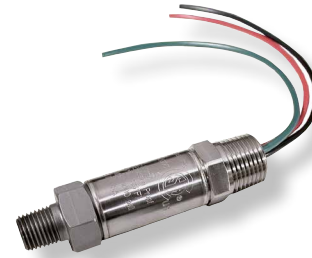
Order from: **C A Briggs Company**  
622 Mary Street; Suite 101; Warminster, PA 18974  
Phone: 267-673-8117 - Fax: 267-673-8118  
[Sales@cabriggs.com](mailto:Sales@cabriggs.com) - [www.cabriggs.com](http://www.cabriggs.com)



## Explosion-Proof Pressure Transmitter Model KP46

### Description

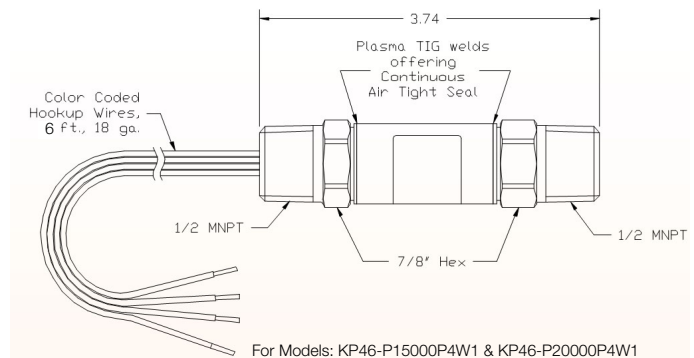
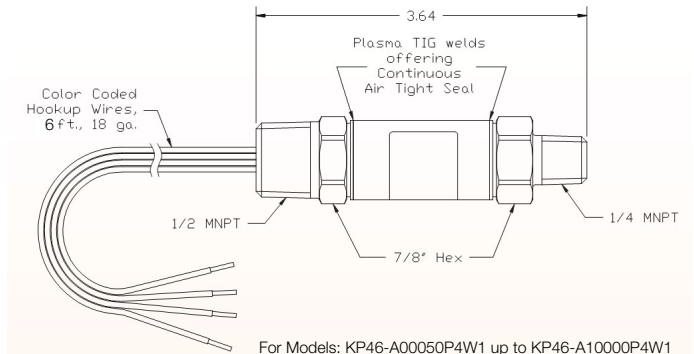
The KOBOLD KP46 series explosion-proof pressure transmitter is approved for use in hazardous locations per CSA standard 30 and U.L. standard 1203 for Class 1, Division 1 and 2 locations. The wetted materials are 316L or 17-4 PH stainless steel for compatibility with a wide variety of media. Both materials and construction comply with NACE MR0175. Other wetted materials, such as Hastelloy® C276 and Inconel® 178, are available upon request. The fitting and sensing diaphragm are machined out of a single piece of material so there are no welds, seams, or o-ring seals. This design results in excellent long-term performance and stability. The case is factory sealed, making the KP46 series very rugged with excellent shock and vibration resistance. It is ideal for explosion-proof applications where both price and performance are critical.



### Technical Details

- Pressure Range:** 0...50 PSIG to 0...20000 PSIG
- Over Range Protection:** 2X full scale
- Burst Pressure:** 5X full scale
- Cycle Life:** >100 million cycles
- Fitting Type:** 1/4" NPT (up to 10000 PSIG)  
1/2" NPT (15000 & 20000 PSIG)
- Wetted Materials:** 316L stainless steel (up to 10000 PSIG),  
17-4PH stainless steel (15000 & 20000 PSIG), other materials upon request
- Corrosion Resistance:** complies with NACE MR0175
- Accuracy:** ±0.25% BFS
- Zero Offset:** <±1% of full scale
- Span Tolerance:** <±2% of full scale
- Media Temp. Range:** -55...250 °F
- Ambient Temp. Range:** -40...185 °F
- Compensated Range:** 30...130 °F
- Temperature Drift:** <±1.5% of full scale for zero and span  
over the compensated range
- Shock Resistance:** 100G, 11mSec
- Vibration Resistance:** 10G peak, 20-2000Hz
- Stability (one year):** ±0.25% of full scale
- Hazardous Location:** CSA approved to standards CSA 30 and  
U.L.1203; explosion-proof for Class 1,  
Div 1, Groups A, B, C, and D; and Div 2,  
Groups A, B, C, and D
- Output:** 4...20 mA, 2-wire
- Power Supply:** 10...28 VDC
- Max. Loop Load:** 800Ω
- Electrical Connection:** 1/2" NPT conduit with 6 ft. wire leads
- Electrical Protection:** NEMA 4X, IP 66

### Dimensions



### Order Details

Range (PSIG)	Model Number	Range (PSIG)	Model Number	Range (PSIG)	Model Number
0...50	KP46-A00050P4W1	0...1000	KP46-A01000P4W1	0...7500	KP46-A07500P4W1
0...100	KP46-A00100P4W1	0...1500	KP46-A01500P4W1	0...10000	KP46-A10000P4W1
0...200	KP46-A00200P4W1	0...3000	KP46-A03000P4W1	0...15000	KP46-P15000P4W0
0...500	KP46-A00500P4W1	0...5000	KP46-A05000P4W1	0...20000	KP46-P20000P4W0