

## Pressure Switches



measuring  
•  
monitoring  
•  
analyzing

KPS / KAS



- Industrial and Marine Applications
- World-Wide Approvals
- IP 67 Enclosure
- Rugged and Reliable



Order from: **C A Briggs Company**  
622 Mary Street; Suite 101; Warminster, PA 18974  
Phone: 267-673-8117 - 800-352-6265; Fax: 267-673-8118  
[Sales@cabriggs.com](mailto:Sales@cabriggs.com) - [www.cabriggs.com](http://www.cabriggs.com)

KOBOLD Instruments, Inc.  
1801 Parkway View Drive  
Pittsburgh, PA 15205



**Description**

The KOBOLD KPS and KAS pressure operated switches are built for industrial gas and low viscosity liquid applications. They are ideal for uses demanding a rugged design and provide excellent resistance to shock and vibration. Environmental protection is provided by an IP 67/ NEMA 6 enclosure. All conventional requirements for outdoor and indoor use are covered. Typical installations include: manufacturing plants, diesel units, compressors, power stations, and ships.



**Specifications**

**KAS Contact Rating (SPDT)**

AC: Inductive, 250V, 0.1 A

DC: 220V, 12 W

**KPS Contact Rating (SPDT)**

AC: 440V, 6 A Inductive Load  
440V, 10 A Resistive Load

DC: 220V, 12 W

Pressure Fitting: 1/4" NPT via a Brass Adapter

Cable Fitting: IEC Pg 13.5  
Cables 5 to 14 mm dia.

Wetted Parts: Brass, SS, Carbon Steel

Repeatability: ±0.25% Full Scale

**Approvals**

USA: American Bureau of Shipping\*

Japan: Nippon Kaiji Kyokai

China: CCS, China Classification Society

Russia: RMRS, Maritime Register of Shipping

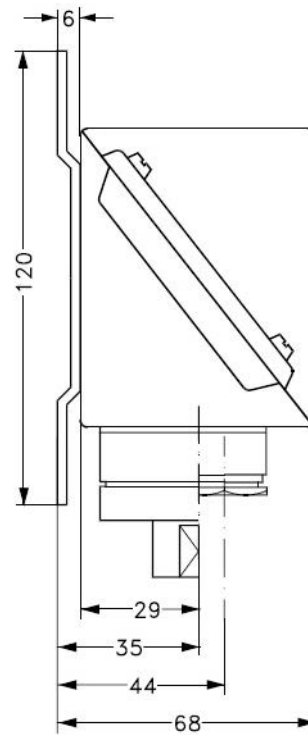
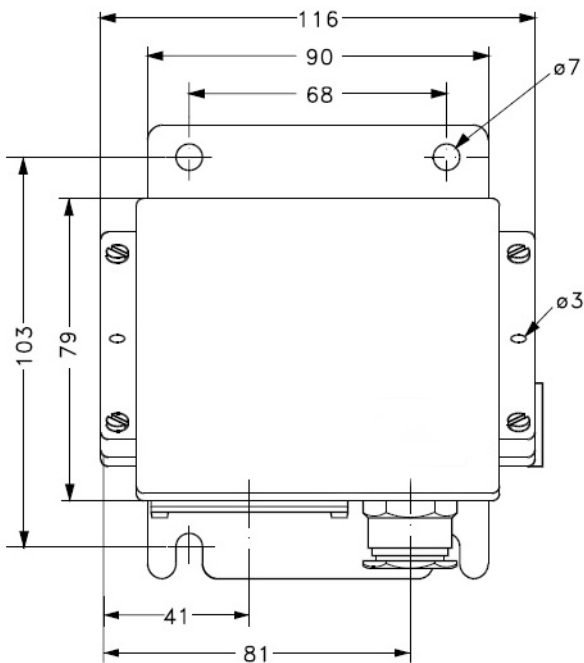
Germany: Germanischer Lloyd

France: Bureau Veritas

Italy: Registro Italiano Navale

\* KAS-3153 and KPS-3107 Excluded

**Dimensions (mm)**





Order Details (Example: KAS-3122)

Model	Range (bar)	Hysteresis (bar) (Adjustable)	Maximum Pressure (bar)	Media Temperature Range*	Ambient Temperature Range
<b>Standard Pressure Switches</b>					
KPS-3110	0...2.5	0.1	6.0	-40...212 °F	-40...160 °F
KPS-3104	0...3.5	0.2	10	-40...212 °F	-40...160 °F
KAS-3150	0...3.5	0.1	10	-40...212 °F	-40...160 °F
KPS-3105	0...8.0	0.4...1.5	12	-40...212 °F	-40...160 °F
KPS-3108	0...8.0	0.4	12	-40...212 °F	-40...160 °F
KAS-3151	0...10	0.2	22	-40...212 °F	-40...160 °F
KAS-3152	6...18	0.3	27	-40...212 °F	-40...160 °F
KPS-3106	6...18	0.85...2.5	22	-40...212 °F	-40...160 °F
KAS-3153	10...35	0.6	53	-40...212 °F	-40...160 °F
KPS-3107	10...35	2.0...6.0	45	-40...212 °F	-40...160 °F
<b>Pressure Switches for Strongly Pulsating Media</b>					
KAS-3160	1.0...10	0.2...0.6	120	-13...212 °F	-13...160 °F
KPS-3120	1.0...10	0.7...2.8	120	-13...212 °F	-13...160 °F
KAS-3161	4.0...40	0.8...2.4	120	-13...212 °F	-13...160 °F
KPS-3121	4.0...40	2.2...11	120	-13...212 °F	-13...160 °F
KAS-3162	6.0...60	1.0...3.0	120	-13...212 °F	-13...160 °F
KPS-3122	6.0...60	3.5...17	120	-13...212 °F	-13...160 °F
<b>Differential Pressure Switches</b>					
KAS-3130	0.2...2.5	0.1	22	-13...212 °F	-13...160 °F

\* For Water and Sea Water: Max. Temperature of 175 °F

Order from: **C A Briggs Company**

622 Mary Street; Suite 101; Warminster, PA 18974

No responsibility taken for errors; subject to change without prior notice. Phone: 267-673-8117 - 800-352-6265; Fax: 267-673-8118

[Sales@cabriggs.com](mailto:Sales@cabriggs.com) - [www.cabriggs.com](http://www.cabriggs.com)