

**DSF26**  
**DIGITAL PRESSURE GAUGE**  
**WITH ANALOG OUTPUT**



Flow  
Pressure  
Level  
Temperature  
measurement  
monitoring  
control

P1



- **Bright Green LED Pressure Readout**
- **High-Contrast, Backlit LCD Readout for Switch Settings**
- **Pressures to 5,800 PSIG**
- **Analog Output Standard**
- **Durable Piezoresistive Technology**
- **Up to Four SPDT Switches Available**
- **316-Ti SS, Sapphire & Viton® Wetted Parts**



Order from: **C A Briggs Company**  
622 Mary Street; Suite 101; Warminster, PA 18974  
Phone: 267-673-8117 - 800-352-6265; Fax: 267-673-8118  
[Sales@cabriggs.com](mailto:Sales@cabriggs.com) - [www.cabriggs.com](http://www.cabriggs.com)

Model:  
DSF26



## Features

- Bright Green LED Pressure Readout
- High-Contrast, Backlit LCD Readout for Switch Settings
- Pressures to 5,800 PSIG
- Analog Output Standard
- Durable Piezoresistive Technology
- Up to Four SPDT Switches Available
- 316-Ti SS, Sapphire & Viton® Wetted Parts

KOBOLD electronic pressure gauges offer the convenience of an easy to read local indicating digital display, coupled with output and control features typically found only in two-piece pressure sensing systems. In addition to its large 1/2" tall green LED pressure display and analog outputs, the DSF26 provides the user with a choice of two or four keypad settable SPDT relays with programmable setpoint and hysteresis. Annunciation of the switch parameters is achieved via two 1/4" tall backlit LCD readouts. All this comes in a standard 100 mm (4 inch) dial gauge style housing ... a perfect replacement for existing equipment in need of upgrade.

The DSF26 digital pressure gauges feature stainless steel construction for superb chemical and corrosion resistance. This rugged design enables the DSF26 to measure pressures up to 5,800 PSIG.

The KOBOLD DSF26 comes standard with a local LED digital display, analog signal output and setpoint relays as standard...ideal for remote monitoring. The SPDT relays are offered in pairs of either two or four switches. Setpoints and switch hysteresis are easily adjustable via the front keypad.



## KOBOLD DSF26 Digital Pressure Gauge

### Specifications

**Ranges:** -14.7 to 5,800 PSI (see table)

**Over Pressure Protection**  
**To 3,000 PSIG:** x 2 range max.  
**Above 3,000 PSIG:** x 1.5 range max.

**Sensor Type:** Ceramic Piezoresistive  
**Accuracy:** ±0.5% FS ± 1 digit  
**Linearity:** ±0.2% FS  
**Repeatability:** ±0.1% FS ± 1 digit  
**Response Time:** 0.1 to 99.99 sec. (factory set)

**Operating Temperature**  
**Medium:** -5°F to 220°F  
**Ambient:** -5°F to 140°F  
**Storage:** -40° to 160°F

**Temperature Drift Coefficients**  
**Zero:** < 0.05% FS/°F  
**Span:** < 0.05% FS/°F

**Displays**  
**Pressure:** 4 digit, 1/2" green LED  
**Switches:** 4 digit backlit LCD

### Materials of Construction

**Wetted Parts:** 316-Ti SS, Viton® Sapphire

**Housing:** 304 SS, Nylon®

### Electrical Information

**Supply:** 15-30 VDC @ 1 A

### Analog Output

**Turn Down:** 5:1  
**Current:** 0-20 mA, 4-20 mA, 3-wire into 500 Ω max.  
**Voltage:** 0-10 VDC, 3-wire into 500 Ω min.

**Zero Adjust:** ±25% of full scale

### Relays

**Type:** SPDT, Qty. 2 or 4  
**Setpoints:** fully adjustable  
**Hysteresis:** fully adjustable  
**Switch Delay:** 0.02 to 99.99 sec. (factory set)

**Max. Voltage:** 250 VAC, 220 VDC  
**Max. Current:** 3 A

**Max. Power:** 50 VA, 60 W

**Connections:** Terminal Block

**Protection:** IP65

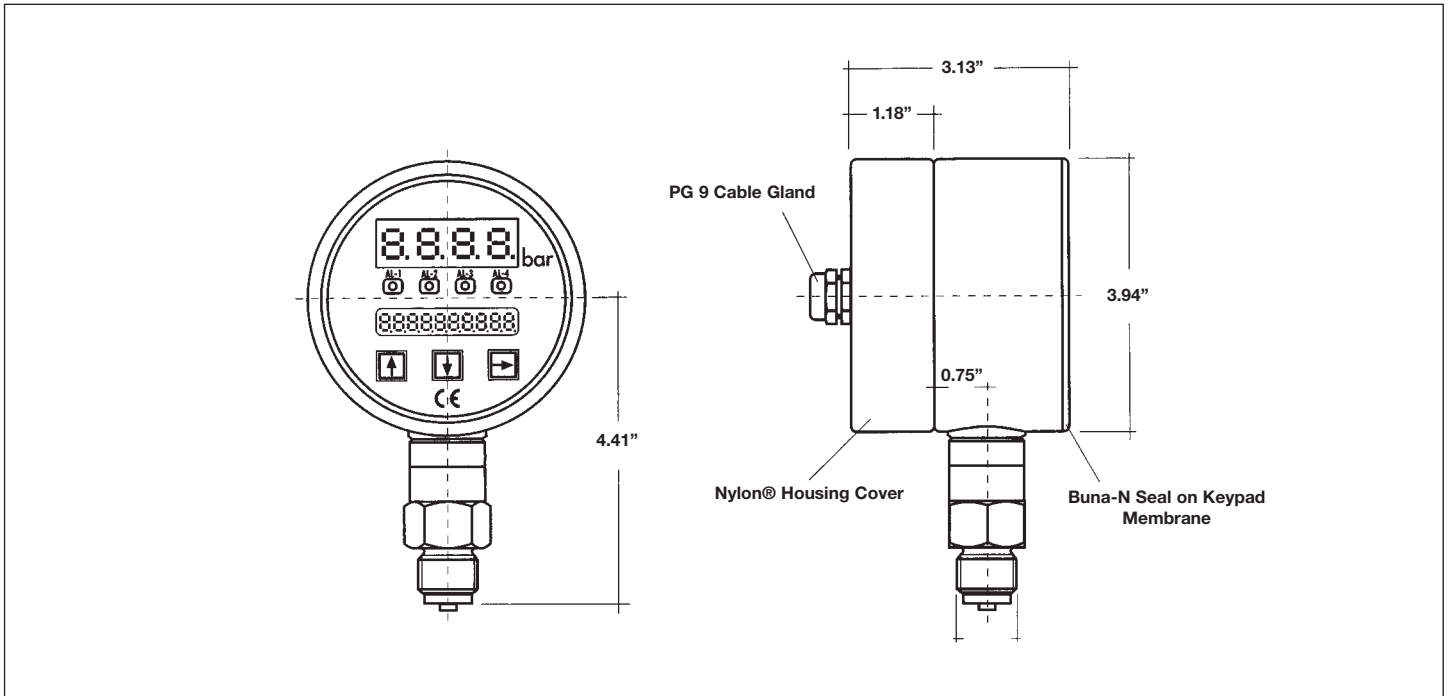


P1

DSF26 Ordering Information	
<b>DSF26</b>	= Digital Pressure Gauge with Analog Output
<b>-Range</b>	= Pressure Range Abbreviation <b>Available Measuring Ranges</b> <b>V15</b> = -14.7 to 0 PSIG <b>210</b> = 100 PSIG <b>270</b> = 700 PSIG <b>350</b> = 5,000 PSIG <b>050</b> = 5 PSIG <b>215</b> = 150 PSIG <b>275</b> = 750 PSIG <b>358</b> = 5,800 PSIG <b>110</b> = 10 PSIG <b>220</b> = 200 PSIG <b>310</b> = 1,000 PSIG <b>115</b> = 15 PSIG <b>230</b> = 300 PSIG <b>315</b> = 1,500 PSIG <b>130</b> = 30 PSIG <b>250</b> = 500 PSIG <b>320</b> = 2,000 PSIG <b>160</b> = 60 PSIG <b>260</b> = 600 PSIG <b>330</b> = 3,000 PSIG
<b>1</b>	= Internal Membrane Ceramic Sensor <b>Sensing Element Type</b>
<b>1</b> <b>2</b> <b>3</b>	= 1/4" NPT = 1/2" NPT = 3/4" NPT <b>Fittings</b>
<b>4</b> <b>0</b> <b>1</b>	= 4-20 mA output = 0-20 mA output = 0-10 VDC output <b>Analog Output</b>
<b>G</b> <b>H</b>	= Qty. 2 SPDT Limit Switches = Qty. 4 SPDT Limit Switches <b>Switches</b>
DSF26-    210    1    2    4    G	



Dimensions (mm)



Order from: **C A Briggs Company**

622 Mary Street; Suite 101; Warminster, PA 18974

Phone: 267-673-8117 - 800-352-6265; Fax: 267-673-8118 Subject to change without prior notice.

[Sales@cabriggs.com](mailto:Sales@cabriggs.com) - [www.cabriggs.com](http://www.cabriggs.com)