

Brass Bourdon Tube Pressure Gauge



measuring
•
monitoring
•
analyzing

DRF22



- Economical Brass Construction
- Highly Reliable
- Rugged Design
- DIN Accuracy Class 1.0
- Pulsation and Vibration Damping Through Optional Glycerin Filling



Order from: **C A Briggs Company**
622 Mary Street; Suite 101; Warminster, PA 18974
Phone: 267-673-8117 - 800-352-6265; Fax: 267-673-8118
Sales@cabriggs.com - www.cabriggs.com

KOBOLD Instruments, Inc.
1801 Parkway View Drive
Pittsburgh, PA 15205



Brass Bourdon Tube Pressure Gauge Model DRF22

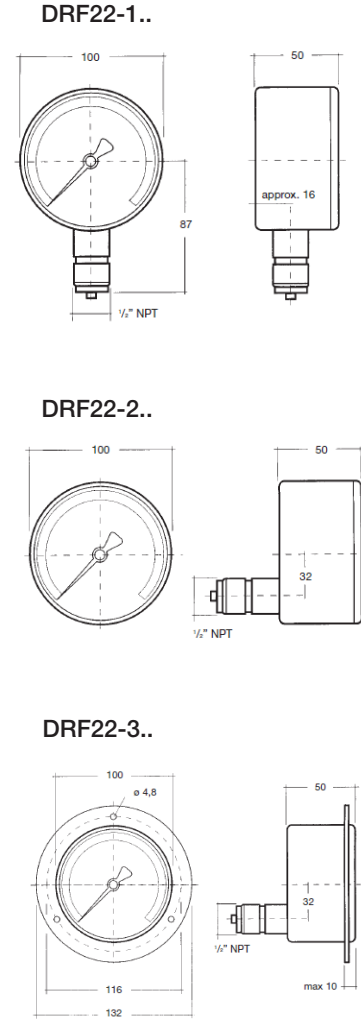
Description

The DRF22 pressure gauge series is a versatile bourdon tube based pressure indicating device with brass movement. Stainless steel and brass construction offer a balanced combination of corrosion resistance and value. For easy installation, it is offered with or without panel mounting bezel, and either bottom or rear ports. An optional glycerin filled housing makes the unit suitable for use with media prone to pulsation and vibration while providing increased weather resistance. With ranges from -30" Hg to 10,000 PSIG, it can handle a wide variety of common pressure sensing applications.

Specifications

- Ranges:** -30" Hg...10,000 PSIG (See Table)
- Over Pressure Protection Momentary:** 1.15 to 1.3 x Range Max.
- Sensing Element:** Bourdon Tube
- Accuracy Class:** DIN Class 1.0
- Operating Temperature Media:** Freezing...180 °F
- Ambient:** -4..140 °F
- Fittings:** 1/2" MNPT
- Materials of Construction**
 - Wetted Parts**
 - < 1000 PSIG: Cu/Sn
 - 1000 PSIG & Up: Stainless Steel
 - Fitting:** Brass
 - Exterior**
 - Movement:** Brass
 - Housing:** 304 SS
 - Bezel:** 304 SS
 - Pointer:** Black Aluminum
 - Indicator Dial:** White Aluminum
 - Window:** Instrument Glass
 - Options:** Glycerin Damped Indicator Assembly

Dimensions (mm)



DRF22 Ordering Information							
DRF22-	= Brass Bourdon Tube Pressure Gauge						
..1	= 100 mm (4 inch) Dial Face, Bottom Process Connection						
..2	= 100 mm (4 inch) Dial Face, Rear Process Connection						
..3	= 100 mm (4 inch) Dial Face, Rear Process Connection with Panel Mountable 3-Hole Bezel						
..H00	= -30" to 0" Hg	..210	= 100 PSIG	..260	= 600 PSIG	..350	= 5000 PSIG
..115	= 15 PSIG	..216	= 160 PSIG	..310	= 1000 PSIG	..410	= 10000 PSIG
..130	= 30 PSIG	..220	= 200 PSIG	..320	= 2000 PSIG		
..160	= 60 PSIG	..230	= 300 PSIG	..330	= 3000 PSIG		
..F	= Glycerin Damped Indicator Assembly						
DRF22-	1	320	F	Sample DRF22 Ordering Code			

Order from: **C A Briggs Company**
 622 Mary Street; Suite 101; Warminster, PA 18974
 Phone: 267-673-8117 - 800-352-6265; Fax: 267-673-8118
Sales@cabriggs.com - www.cabriggs.com

No responsibility taken for errors; subject to change without prior notice.