

# Manifold Valves for VKG and VKM Flowmeters

For Lubricating Oil Circuits



measuring  
•  
monitoring  
•  
analyzing

BVB



- Designed to Centralize Flow Measurement and Distribution
- Ability to Join up to 8 Units Into an Integrated Valve Block
- Easy to Install
- Max. Pressure: 930 PSI
- Connection: 1/2" NPT



Order from: **C A Briggs Company**

622 Mary Street; Suite 101; Warminster, PA 18974

Phone: 267-673-8117 - 800-352-6265; Fax: 267-673-8118

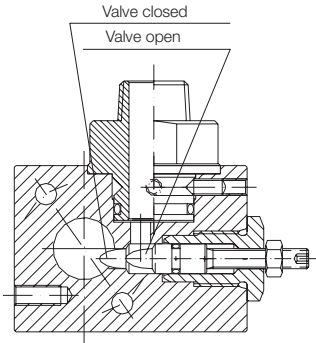
[Sales@cabriggs.com](mailto:Sales@cabriggs.com) - [www.cabriggs.com](http://www.cabriggs.com)



**Description**

For centralized flow measurement and distribution we recommend KOBOLD BVB manifold valves. With the ability to join up to 8 flowmeters onto an integrated valve block, the BVB offers a compact and tidy solution to your distribution problems. The BVB is designed for use with our VKG and VKM flowmeters. The total throughput of the BVB is limited to 6.3 GPM due to size restrictions. To supply a BVB manifold with media, a pump with a 20–30% overcapacity is required to ensure that each branch receives adequate flow. To protect your instrument, this overcapacity must be able to return to the media supply tank through a pressure limiting regulator. We recommend between 100 PSI and 235 PSIG.

**Design**



**Order Details**

Model	Order Number	
	Manifold Valve Mounted*	Manifold Valve Only
Single Fold	BVB-4101	BVB-5101
Double Fold	BVB-4102	BVB-5102
3-Fold	BVB-4103	BVB-5103
4-Fold	BVB-4104	BVB-5104
5-Fold	BVB-4105	BVB-5105
6-Fold	BVB-4106	BVB-5106
7-Fold	BVB-4107	BVB-5107
8-Fold	BVB-4108	BVB-5108

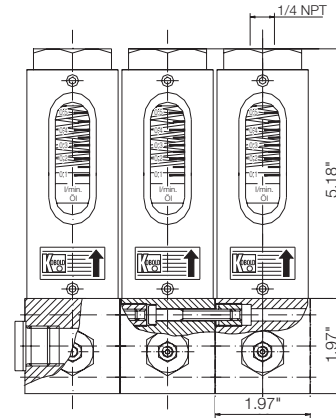
\*Select Desired VKG or VKM Flowmeter for Mounting.  
Please Note Flowmeter Price is Not Included in BVB Pricing.

**Specifications**

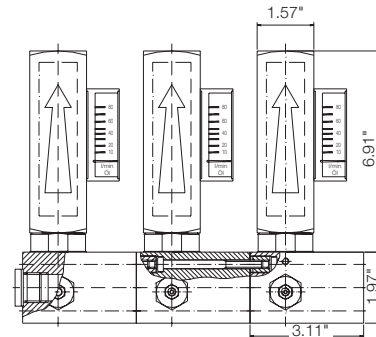
- Fitting:** 1/2" NPT  
(Please Specify Model VKG or VKM)
- Housing:** Anodized Aluminum
- Seal:** NBR
- Max. Flow Rate:** 6.3 GPM
- Max. Temperature:** 212 °F
- Max. Pressure:** 930 PSI  
(Please Observe any Limitations of the Flowmeter)
- K<sub>v</sub> Value:** 7.3 PSI at 2.5 GPM (Water)  
14.5 PSI at 3.7 GPM (Water)  
29.0 PSI at 5.3 GPM (Water)

**Dimensions**

3-Fold Block with VKG Flowmeter



3-Fold Block with VKM Flowmeter



Order from: **C A Briggs Company**

622 Mary Street; Suite 101; Warminster, PA 18974

Phone: 267-673-8117 - 800-352-6265; Fax: 267-673-8118

[Sales@cabriggs.com](mailto:Sales@cabriggs.com) - [www.cabriggs.com](http://www.cabriggs.com)

No responsibility taken for errors; subject to change without prior notice.