

Digital Temperature Sensor for Liquids



measuring
•
monitoring
•
analyzing

TDA



TDA-...P3M
TDA-...N3M

TDA-...L3M

- Measuring Range: -58 ... 250 °F
- Pressure: Max. 1150 PSI
- Accuracy: ± 1.0 °F (for 14 ... 185 °F)
- Housing Material: Stainless Steel
- Connection:
1/2" NPT, 3/4" NPT, G 1/2, G 3/4, or M25 x 1.5



Order from: **C A Briggs Company**
622 Mary Street; Suite 101; Warminster, PA 18974
Phone: 267-673-8117 - Fax: 267-673-8118
Sales@cabriggs.com - www.cabriggs.com

KOBOLD Instruments, Inc.
1801 Parkway View Drive
Pittsburgh, PA 15205

Description

The KOBOLD Model TDA temperature sensor is used for economical measuring and monitoring of temperature. It can be used for any application in which temperatures must be monitored and controlled. The sensor element is a semiconductor that outputs a digital signal to the electronics in 1.0°F steps. The measured values are shown on a 3-digit LED display. The analog output can be adjusted as required within the measuring range. Common applications include compressors, mechanical and plant engineering, and pumps.



Technical Details

Housing Cover: 303 Stainless Steel
Housing: 316L Stainless Steel
Sensor: 316/316L Stainless Steel
Connection
Standard Version: ½" NPT or ¾" NPT Male Thread
 316L Stainless Steel
 Option: G ½ or G ¾
Remote Version
Sensor: 100 mm x 6 mm
Cable: 2.5 m PTFE with M12x1 Plug
Housing: M25x1.5 with Backing Nut
Principle of Meas.: Semiconductor
Display: 3-digit LED, Digit-height: 7 mm
Resolution: 1.0°F up to 212°F
 2.0°F (212°F Onwards)
Max. Media Temp: -4 ... 250°F (Standard Version)
 -58 ... 250°F (Remote Version)
Max. Ambient Temp.: -4 ... 120°F
Max. Pressure: 1150 PSI

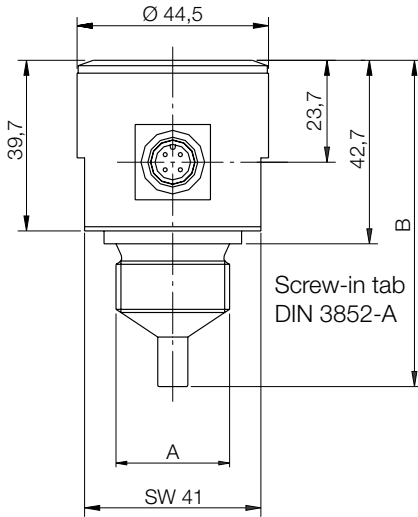
Power Supply: 24 V_{DC} ±20 %
Power Consumption: ~40 mA (TDA-...L3M); ~70 mA (TDA-...P3M, TDA-...N3M) (not including switch current)
Electrical Connection: Plug M12 x 1
Type of Switch Output: PNP or NPN Transistor, Max. 300 mA, Short-circuit Proof
Contact Function: N/O / N/C, Window, Adjustable
Switch Point Adj.: Adjustable via 2 Keys
Switching State Display: 1 (2) LED
Hysteresis: Adjustable via 2 Keys
ON/OFF-Switch Delay: 0.5 ... 99.5 (Separately Adjustable)
Measuring Cycle: 0.5 s; t_{50/90}: Approx. 13/30 s
Accuracy (Sensor): ±1.0°F (between 14 ... 185°F)
 ±3.6°F (between 185 ... 250°F and -58 ... -14°F)
Protection: IP 65

Order Details (Example: **TDA-15F2N40L3M**)

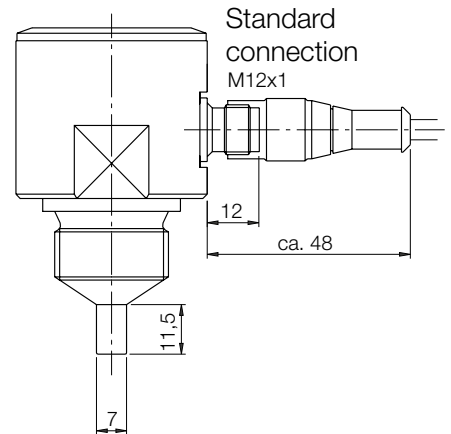
Measuring Range	Model	Connection	Probe length	Output	Electrical Connection
0 ... 250 °F	TDA-15F2..	..N4.. = ½" NPT ..N5.. = ¾" NPT	..0.. = 11.5 mm ..1.. = 100 mm	..L.. = 4 -20 mA	..3M = M12x1 Plug Connector
-20 ... 120 °C	TDA-15H2..	..R4.. = G ½ ..R5.. = G ¾	..2.. = 200 mm	..P.. = 4 -20 mA, PNP-Switch Output	
-58 ... 250 °F	TDA-15F3..	..D6.. = Remote Mount, No Fitting	..1.. = 100 mm	..N.. = 4 -20 mA, NPN-Switch Output	
-50 ... 125 °C	TDA-15H3..				
Accessories					
Micro-DC Plug with 6 ft Cable, 4-pin for Output L				807.037	
Micro-DC Plug with 6 ft Cable, 5-pin for Outputs P or N				807.007	
6mm Bore Through Compression Fitting for D6 Connection - 1/4" NPT				FTFHG1/4SS	
6mm Bore Through Compression Fitting for D6 Connection - 1/2" NPT				FTFHG1/2SS	

Dimensions (mm)

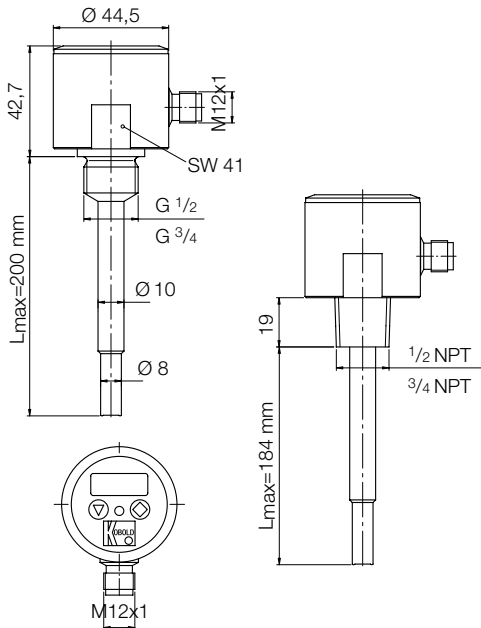
Standard Version, 12mm



A	B
1/2" NPT	70.2
3/4" NPT	70.5
G 1/2	72.3
G 3/4	75.9



Standard Version, 200mm



Remote Version

