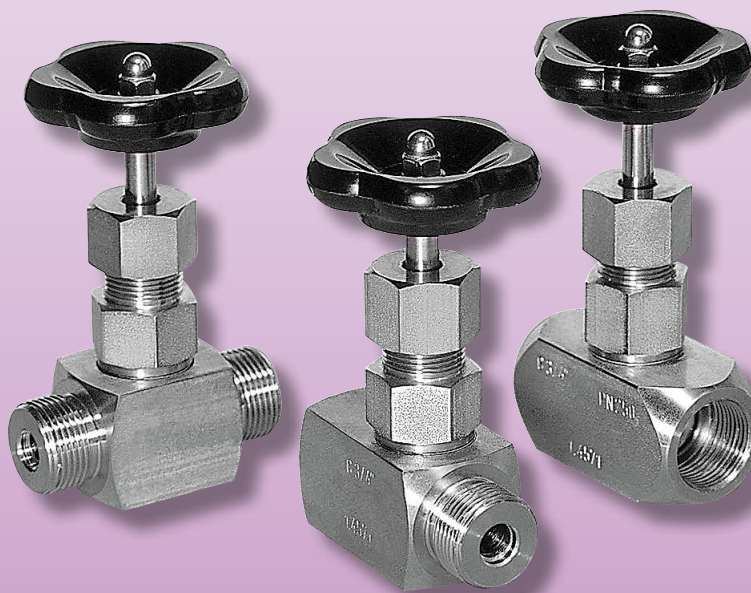


Stainless Steel Needle Valve



measuring
•
monitoring
•
analyzing

NVM



- Wetted Materials: 316-Ti Stainless Steel and PTFE
- Size: 1/8" ... 1-1/4" NPT
- Maximum Pressure: 3600 PSIG
- Maximum Temperature: 250 °F



Order from: **C A Briggs Company**

622 Mary Street; Suite 101; Warminster, PA 18974

Phone: 267-673-8117 - Fax: 267-673-8118

Sales@cabriggs.com - www.cabriggs.com

KOBOLD Instruments, Inc.
1801 Parkway View Drive
Pittsburgh, PA 15205



Description

For fine adjustment of flow, KOBOLD offers the NVM needle valve made of high grade 316-Ti stainless steel. Needle valves are used to vary the flow cross section, thus regulating the flow volume. The flow is regulated by a cone-shaped valve that is moved by means of a spindle away from or toward the valve seat. The amount of flow change is determined by the size of the resulting angular gap between the cone and seat. The rate of flow change is determined by how much the valve spindle is turned as well as the pitch of the valve spindle thread. The valves can be mounted to either the product inlet or outlet and are supplied with the following connections: external threads on both sides, internal threads on both sides, and internal/external threads. The NVM is available in sizes from 1/8" to 1-1/4" NPT.

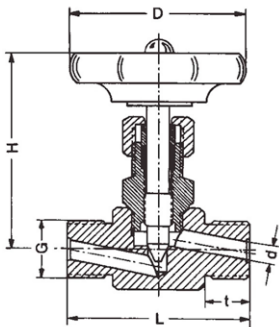


Specifications

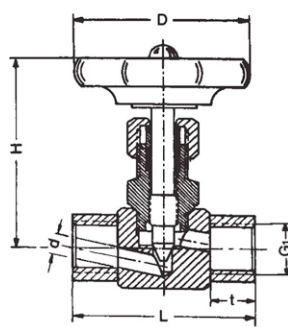
Maximum Pressure: 3600 PSIG
Maximum Temperature: 250 °F (at Atmospheric Pressure)
Handwheel: Molded Resin
Wetted Materials: 316-Ti Stainless Steel, PTFE
Process Connection: 1/8"...1-1/4" NPT

Dimensions

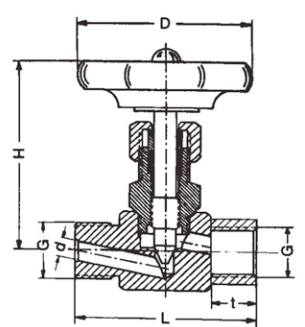
External Threads



Internal Threads



Internal/External Threads



Order Details (Example: NVM-6215)

Connection (NPT)	External Threads **	Internal Threads	External/Internal Threads **	Dimensions (in)				
				L	t	H	D	d
1/8"	NVM-5206	NVM-6206	NVM-7206	1.97	0.39	2.91	1.97	0.16
1/4"	NVM-5208	NVM-6208	NVM-7208	2.17	0.52	2.87	1.97	0.20
3/8"	NVM-5210	NVM-6210	NVM-7210	2.36	0.55	2.83	1.97	0.24
1/2"	NVM-5215	NVM-6215	NVM-7215	2.56	0.63	3.29	2.48	0.32
3/4"	NVM-5220	NVM-6220	NVM-7220	3.15	0.71	3.94	2.48	0.39
1"	NVM-5225	NVM-6225	NVM-7225	4.13	0.87	4.33	3.15	0.47
1-1/4"	NVM-5232	NVM-6232	NVM-7232	4.73	0.94	5.31	3.94	0.59

** Limited quantities available