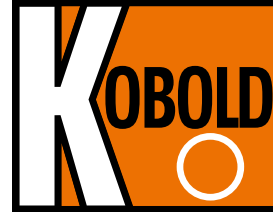


## Polypropylene Float Level Switch

Low Profile, Tilt Type



measuring  
•  
monitoring  
•  
analyzing

NSM



- Max. Pressure: 44 PSIG
- Max. Temperature: 140°F or 185 °F
- Minimum S.G.: 0.6
- Polypropylene Float
- Neoprene or Silicone Cable
- SPDT Mechanical Switch Contact
- Connectable as N/O or N/C



Order from: **C A Briggs Company**

622 Mary Street; Suite 101; Warminster, PA 18974

Phone: 267-673-8117 - Fax: 267-673-8118

[Sales@cabriggs.com](mailto:Sales@cabriggs.com) - [www.cabriggs.com](http://www.cabriggs.com)

KOBOLD Instruments, Inc.  
1801 Parkway View Drive  
Pittsburgh, PA 15205



**Description**

KOBOLD NSM Series tethered float switches provide easy, cost-effective monitoring of liquid levels with a low-profile polypropylene float with polyamide cable gland and 6.6' of neoprene cable. To control filling levels, install at least two of the floats, one as a minimum limit switch and the other as a maximum limit switch. The floats can be run to a latching relay (sold separately) for automatic liquid level control. This float switches can be installed wherever magnetic liquid level switches are unsuitable due to the risk of the float jamming with dirt particles or coating. An optional silicone cable is available for use in certain highly corrosive or solvent-based level monitoring applications.



**Technical Details**

**Materials**

- Float:** Polypropylene with Polyamide Cable Gland
- Cable:** Neoprene, 6.6 ft. (Standard)  
Silicone (Optional, for use with Highly Corrosive or Solvent Media)
- Max. Pressure:** 44 PSIG (3 bar)

**Temperature Range**

- Neoprene Cable:** 41...140 °F (5...60 °C)
- Silicone Cable:** 41...185 °F (5...85 °C)

**Minimum Specific Gravity:** 0.6 S.G. (0.6 kg/dm<sup>3</sup>)

**Contact:** SPDT Mechanical Switch Changeover, Connectable as N/O or N/C, Mercury Free

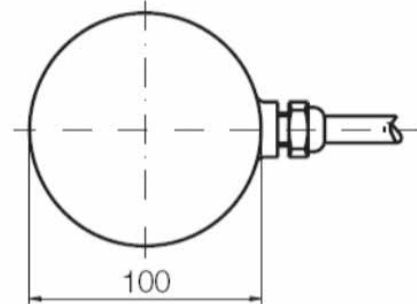
**Switch Capacity:** Max. 250 VAC / 6A,  
Max. 400 VAC / 4A,  
Minimum 100 mA

**Min. Switching Hysteresis:** Approx. 140 mm

**Switching Angle:** +45° to Activate, -45° to Deactivate (Approximation, Will Vary with Each Installation)

**Protection:** IP 68

**Dimensions (mm)**



**Order Details** (Example: NSM-5101)

Model	Description
NSM-5101	Low Profile PP Float, Standard Neoprene Cable
Options	
..ECSIL	Optional Silicone Cable, Specify Length when Ordering (Special Order, Non-Stock Item)