

Economical Micro Flowmeter



measuring
•
monitoring
•
analyzing

KSV

- $\pm 6\%$ Full Scale Accuracy
- $\pm 1\%$ Full Scale Repeatability
- Excellent Resistance to Acids and Alkaline Solutions
- Can be Sterilized, Max. 250°F
- Compact
- Convenient Panel Mountability
- Easy to Read and to Install



KOBOLD companies worldwide:

ARGENTINA, AUSTRALIA, AUSTRIA, BELGIUM, BULGARIA, CANADA, CHILE, CHINA, COLOMBIA, CZECH REPUBLIC, EGYPT, FRANCE, GERMANY, HUNGARY, INDIA, INDONESIA, ITALY, MALAYSIA, MEXICO, NETHERLANDS, PERU, POLAND, REPUBLIC OF KOREA, ROMANIA, SINGAPORE, SPAIN, SWITZERLAND, TAIWAN, THAILAND, TUNISIA, TURKEY, UNITED KINGDOM, USA, VIETNAM

KOBOLD Instruments, Inc.
1801 Parkway View Drive
Pittsburgh, PA 15205
Main Office:
1.800.998.1020
1.412.788.4890
info@koboldusa.com
www.koboldusa.com



Economical Micro Flowmeter Model KSV

Description

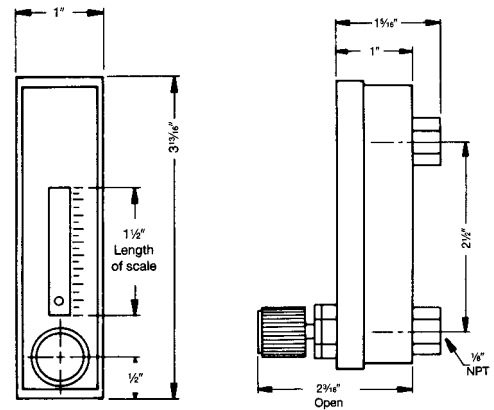
The KOBOLD KSV flowmeter measures and controls low volume flows of water or air. It has a plastic body with metal fittings and is kept leak tight through the use of O-ring seals. The floats are either stainless steel, glass, or titanium. Though the float types are determined by measuring range, the plastics for the body and metals for the fittings are not. The KSV comes with or without a needle valve. We recommend that the needle valve version be used to help stabilize the float during introduction of media (particularly gases) into the flowmeter. As is typical for needle valves, complete shut-off cannot be achieved and if shutoff is desired, we recommend the installation of a shutoff valve upstream of the KSV.



Dimensions

Specifications

Connections:	1/8" NPT, Female
Measuring Accuracy:	±6% of Full Scale
Repeatability:	±1% of Full Scale
Operating Pressure:	Max. 87 PSI
Flow Media:	Liquids or Gases
Measuring Principle:	Float
Mounting:	Vertical, Up



Material Combinations

	Housing	Connection	O-rings	Temperature Range
III	Polysulfone	Brass	NBR	-4...248 °F
IV	Polysulfone	303 SS	FKM	-4...248 °F

Order Details (Example: KSV 3201 L)

Range Water (GPH)	Float Material	Model KSV with Needle Valve		Model KSV without Needle Valve		Range Air Add Suffix "L" (SCFH)
		Material Combination		Material Combination		
		III	IV	III	IV	
0.04...0.4	Glass	KSV-3301	KSV-3401	KSV-4301	KSV-4401	0.3...3
0.1...1.1	SS	KSV-3304	KSV-3404	KSV-4304	KSV-4404	0.5...5
0.1...1.5	Glass	KSV-3306	KSV-3406	KSV-4306	KSV-4406	1...10
0.5...4.5	SS	KSV-3316	KSV-3416	KSV-4316	KSV-4416	2...20
1.0...10	Titanium	KSV-3335	KSV-3435	KSV-4335	KSV-4435	5...50
2.0...20	SS	KSV-3380	KSV-3480	KSV-4380	KSV-4480	10...100