

Target Type Flowmeter for Water



measuring
•
monitoring
•
analyzing

DPT



- Patented Target/Leaf-Spring Design
- Minimal Wear Components
- Ranges: 1.5...8 to 225...500 GPM Water
- Line Sizes: 3/8" ...3"
- Brass or Stainless Steel Versions
- Accuracy +/- 3% of Full Scale



KOBOLD companies worldwide:

Order from: **C A Briggs Company**

622 Mary Street; Suite 101; Warminster, PA 18974

Phone: 267-673-8117 - Fax: 267-673-8118

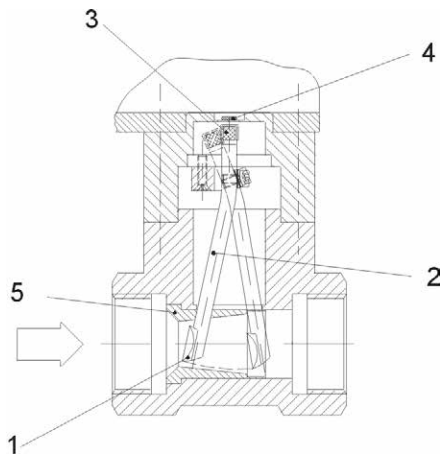
Sales@cabriggs.com - www.cabriggs.com

KOBOLD Instruments, Inc.
1801 Parkway View Drive
Pittsburgh, PA 15205



Description

The DPT series uses a unique, patented target system to measure water flow. This design uses a single leaf-spring to both suspend the target and to provide the target resetting force. It is a simple, reliable design with virtually no wear. The mechanism consists of a target plate (1) and lever arm (2). Fluid flow causes the target plate and lever arm to deflect against the leaf-spring. A permanent magnet (3) attached to the lever arm and Hall effect sensor (4) mounted inside the display unit translate the angular motion of the target to an electrical signal. The signal from the Hall effect sensor is used by the electronic indicators to provide a flowrate display, adjustable setpoint switches, or an analog flow signal. The target plate measuring system offers a very low head loss.



Specifications

- Flow Range:** 1.5...8 GPM to 225...500 GPM Water
- Accuracy:** ±3% of Full Scale
- Repeatability:** ±1% of Full Scale
- Straight Piping Requirements**
 - Inlet:** 10 X Diameter
 - Outlet:** 5 X Diameter
- Operating Temperature:** -10...176 °F
- Maximum Pressure:** 580 PSIG at 70 °F
- Wetted Materials**
 - Brass Versions:** Brass, 316-Ti SS, NBR, Ceramic
 - Stainless Steel Versions:** 316-Ti Stainless Steel, FKM, Ceramic

Displays and Controllers



DPT-..C34P.. Specifications

- Programmable Functions:** Lockout Code, Switch Logic, Switch Setpoint and Hysteresis, Dampening
- Input Power:** 24 VDC ±20%, 80 mA Max.
- Display:** 3 Digit LED
- Switch Type:** PNP Open Collector
- Switch Rating:** 300 mA Max. Short Circuit Protected
- Analog Output:** 4-20 mA, 3-wire RL=500 Ohms Max.
- Housing:** 304 SS, NEMA 4X
- Electrical Connection:** Micro-DC, Male, 5-pin Plug



DPT-..K042.. Specifications

- Input Power:** 100 ... 230 VAC/VDC
- Display:** 4-1/2 Digit LED and Bargraph 270°
- Relays:** 2 SPDT 5 amps @ 230 VAC
- Analog Output:** 4-20 mA, 4-wire, RL=500 Ohms Max. 0-10 VDC
- Housing:** Epoxy Coated Aluminum, Polycarbonate, NEMA 4X/IP 65
- Electrical Connection:** Cable Gland, PG-13.5



Order Details (Example: DPT-1165G NB C34P)

Range (GPM Water)	Material		Fitting	Electronic	
	Brass	Stainless Steel			
1.5...8 3...12.5	DPT-1105G.. DPT-1110G..	DPT-1205G.. DPT-1210G..	..N3.. = 3/8" NPT	..C34P.. = Compact Electronic	
1.5...8 3...18	DPT-1115G.. DPT-1120G..	DPT-1215G.. DPT-1220G..	..N4.. = 1/2" NPT		
1.7...15 5...25	DPT-1125G.. DPT-1130G..	DPT-1225G.. DPT-1230G..	..N5.. = 3/4" NPT		
5...20 20...35	DPT-1135G.. DPT-1140G..	DPT-1235G.. DPT-1240G..	..N6.. = 1" NPT		
15...45 25...60	DPT-1145G.. DPT-1150G..	DPT-1245G.. DPT-1250G..	..N8.. = 1-1/2" NPT		..K042.. = Digital & Bargraph
25...120 40...200	DPT-1155G.. DPT-1160G..	DPT-1255G.. DPT-1260G..	..N9.. = 2" NPT		
175...400 225...500	DPT-1165G.. DPT-1170G..	DPT-1265G.. DPT-1270G..	..NB.. = 3" NPT		

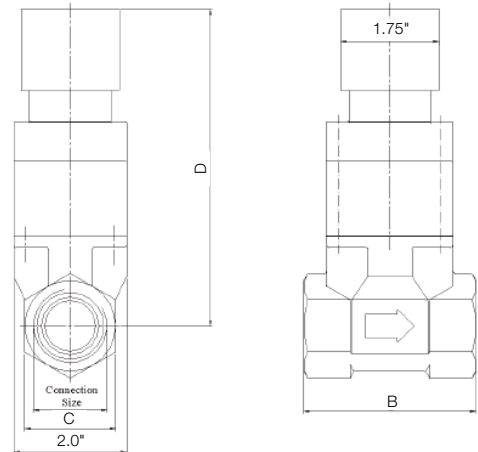
Accessories:
Mating 5-Pin M12 Micro-DC Connector with 6 ft. Cable for Indicator C34P - **Part # 807.007**

Please specify flow direction and display orientation when ordering.

Dimensions

Compact Electronics DPT-..C34P..

Fitting	B	C	D
3/8" NPT	3.07"	27 mm	5.43"
1/2" NPT	3.07"	27 mm	5.43"
3/4" NPT	3.07"	41 mm	5.43"
1" NPT	3.07"	41 mm	5.43"
1-1/2" NPT	3.07"	55 mm	6.10"
2" NPT	3.20"	70 mm	6.18"
3" NPT	4.17"	100 mm	6.85"



Electronic Display/Controller DPT- ..K042..

Fitting	A	B	C
3/8" NPT	7.32"	3.07"	27 mm
1/2" NPT	7.32"	3.07"	27 mm
3/4" NPT	7.32"	3.07"	41 mm
1" NPT	7.32"	3.07"	41 mm
1-1/2" NPT	8.0"	3.07"	55 mm
2" NPT	8.0"	3.20"	70 mm
3" NPT	8.74"	4.17"	100 mm

