

Pressure Gauge
with Integral Stainless Steel Diaphragm



measuring
•
monitoring
•
analyzing

DPF76



- All-Stainless Design for High Corrosion Resistance
- Integral Diaphragm Element
- Insensitive to Machine Vibration
- High Resistance to Overpressure
- Optional Glycerine Filled Indicator



KOBOLD companies worldwide:

Order from: **C A Briggs Company**
622 Mary Street; Suite 101; Warminster, PA 18974
Phone: 267-673-8117 - Fax: 267-673-8118
Sales@cabriggs.com - www.cabriggs.com

KOBOLD Instruments, Inc.
1801 Parkway View Drive
Pittsburgh, PA 15205



Pressure Gauge with Integral SS Diaphragm Model DPF76

Description

KOBOLD diaphragm pressure gauges are used for media where Bourdon tube pressure gauges or pneumatic capsule gauges are challenged. An internal diaphragm is subjected to pressure from one side. The pressure bends the diaphragm and the pressure indicator mechanism converts the resulting displacement into a corresponding movement of the pointer. Due to the shape of the diaphragm and that it is securely clamped about its perimeter, a very stable mechanical system is produced that is much less susceptible to vibration than standard Bourdon tube gauges.



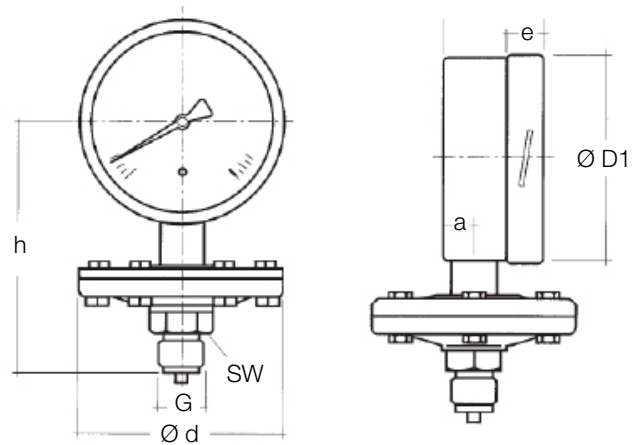
Specifications

Ranges: -30" Hg...300 PSIG (See Table)
Overpressure Protection, Momentary: 1.3 x Range Max.
Sensing Element: Diaphragm
Accuracy Class: DIN Class 1.6
Operating Temperature Media: Freezing...176 °F
Ambient: -4...176 °F
Fittings: 1/2" MNPT

Materials of Construction

Wetted Parts
Element: 316-Ti SS / Duratherm
Fitting: 316-Ti SS
Exterior
Movement: Stainless Steel
Housing: 304 SS
Bezel: 304 SS
Pointer: Black Aluminum
Indicator Dial: White Aluminum
Gauge Window: Instrument Glass
Options: Glycerine Dampened Indicator Assembly

Dimensions



Dial Face	Dimensions (inch)								Weight (lbs)
	Ø d	a	b	Ø D1	e	G	h±2	SW	
4 inch	3.94	0.61	1.97	3.94	0.69	1/2" NPT	4.92	(1.06) 0.87	2.1
6 inch	3.94	0.61	1.97	6.30	0.69	1/2" NPT	6.89	(1.06) 0.87	3.0

DPF76 Ordering Information			
DPF76-	= Diaphragm Pressure Gauge for Intermediate Pressures		
..1	= 100 mm (4 inch) Dial Face, with Stainless Steel Housing		
..2	= 160 mm (6 inch) Dial Face, with Stainless Steel Housing		
..H00	= -30"...0" Hg	..210	= 100 PSIG
..115	= 15 PSIG	..216	= 160 PSIG
..130	= 30 PSIG	..220	= 200 PSIG
..160	= 60 PSIG	..230	= 300 PSIG
..F	= Glycerine Dampened Indicator Assembly		
DPF76 -	2	130	F
Sample DPF76 Ordering Code			