

Counter/ Preset Counter



measuring
•
monitoring
•
analyzing

DAG-Z2



- Counter / Preset Counter in 74 x 32 mm Format
- Universal AC/DC Power Supply
- Input Frequency up to 100 kHz
- 2-Line LED Display
- Easy Programming by Front Keys or Software
- Two Relay Outputs



Order from: **C A Briggs Company**

622 Mary Street; Suite 101; Warminster, PA 18974

Phone: 267-673-8117 - Fax: 267-673-8118

Sales@cabriggs.com - www.cabriggs.com

KOBOLD Instruments, Inc.
1801 Parkway View Drive
Pittsburgh, PA 15205

Description

The compact KOBOLD DAG-Z2 can be set as either a single or double counter, each with independent settings. The three universal digital inputs (NPN, PNP, TTL) can be used for bi-directional encoder readings, UP/DOWN counter function, or LOCK/HOLD to lock the current visualization. One analog input allows setpoint modification by an external potentiometer. It offers a brilliant display and a rugged housing. With a variety of modes and scaling options, the DAG-Z2 is an economical option for many applications.

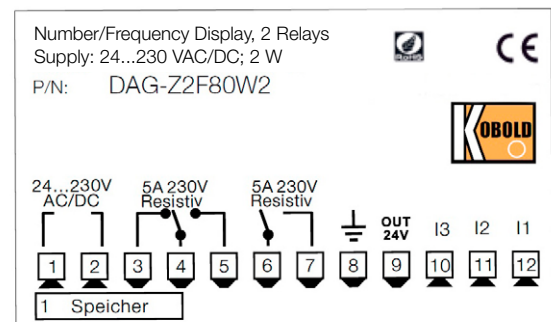


Specifications

- Display:** 2-Line, LED Display
- Upper Line:** Count Value, 4-Digit
10.2 mm, Green Digits
- Lower Line:** Setpoint, 4-Digit
7.6 mm, Red Digits
- Indicators:** Two Red Indicators for Relay Output Status and a Yellow Indicator for Serial Communication
- 1, 2:** On, when Output is Active
- Buttons:** 4 Front Keys for Programming and Establishing Setpoints
- Inputs:** Three Digital Inputs, can be Configured as NPN, PNP, or TTL. Programmable Thresholds for Activation as a HIGH/LOW, Active Rising Edge, or Level Triggered. Input I3 can be used for Connecting Potentiometer (0...5/10 kΩ) for Setting the Nominal Value (Resolution: 1000 Steps)
- Input Function:** Counting Direction, Stop, Hold, Wait, Setpoint Input (I3)
- Input Frequency:** 1 Hz to 100 kHz
- Relay Output:** 1 SPDT Relay, Max. 5A @ 230 VAC and 1 N/O Contact, Max. 5A @ 230 VAC
- Excitation:** 24 VDC
Max. 30 mA (24 VAC Power Supply)
Max. 40 mA (24 VDC Power Supply)
Max. 60 mA (110...230 VAC Power Supply)
- Supply:** 24 VAC/VDC...230 VAC/VDC ± 15%

- Data Security:** Password Protected Access to Setpoint, Alarm Values and Parameters
- Programming:** Menu-guided via Front Keys
- Protection:** IP 65 from the Front (with Rubber Seal)
IP 20 from the Back
- Housing:** Rugged Black Plastic
- Dimensions:** 77 mm W x 35 mm H x 53 mm D
Panel Cut-out at 28.5 mm x 70.5 mm
- Connection:** Screw Terminals
- Ambient Conditions**
 - Temp:** 0...45 °C
 - Humidity:** 35...95% RH, non-condensing
 - Weight:** Approx. 100 grams

Wiring Diagram



Order Details

Model
DAG-Z2 F 8 0 W 2