

Flow Indicator with Self Cleaning Mechanism



measuring
•
monitoring
•
analyzing

DAA



- For Liquids
- Transparent Glass Cylinder
- Maximum Pressure: 232 PSIG
- Built-In Self-Cleaning Mechanism
- Universal Mounting



KOBOLD companies worldwide:

Order from: **C A Briggs Company**
622 Mary Street; Suite 101; Warminster, PA 18974
Phone: 267-673-8117 - Fax: 267-673-8118
Sales@cabriggs.com - www.cabriggs.com

KOBOLD Instruments, Inc.
1801 Parkway View Drive
Pittsburgh, PA 15205



Flow Indicator with Self Cleaning Mechanism Model DAA

Description

KOBOLD's DAA flow indicator features a self-cleaning mechanism to guarantee rotor visibility. Most types of flow indicators suffer visibility problems as the result of residue build-up on the viewing windows. These traditional indicators usually require a plant shutdown to remove and restore them. Unfortunately, dirt build-up does not usually correspond to planned shut-downs. Enter, the KOBOLD DAA! With a simple twist of the sight glass, integral wipers eliminate build-up which is then washed away by the media's flow. The DAA will save you both fuss and downtime.

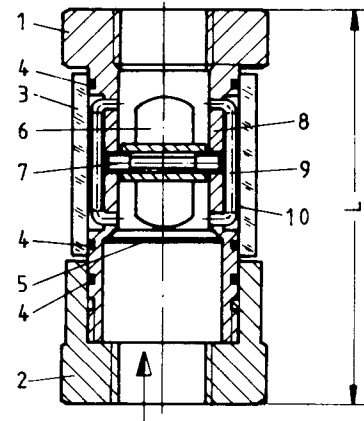


Specifications

Max. Temperature: 212° F
Max. Pressure: 232 PSIG

Component Materials

| Ref. | Component | Material | |
|------|----------------------|---------------------|--------------------|
| | | Brass | Stainless Steel |
| 1 | Fitting | Ni-Plated Brass | 303 SS |
| 2 | Inlet | Ni-Plated Brass | 303 SS |
| 3 | Transparent Cylinder | Borosilicate Glass | Borosilicate Glass |
| 4 | O-Rings | NBR | FKM |
| 5 | Orifice | Nickel-Plated Brass | 303 SS |
| 6 | Rotor* | POM | PTFE |
| 7 | Rotor Spindle | 303 SS | 303 SS |
| 8 | Support Bars | Ni-Plated Brass | 303 SS |
| 9 | Wiper Yokes | 301 SS | 301 SS |
| 10 | Wipers | Polyolefin | FKM |



*Rotor color red for models DAA-..08 through DAA-..25; rotor color white for models DAA-..32 and DAA-..40

Order Details (Example: DAA-5210)

| Minimum Flow Required to Start Rotation (GPM) | Max. Flow Water (GPM) | | Conn. (NPT) | Length "L" (inch) | Pressure Drop at Max. Flow (PSI) | | Model Number | | | |
|---|-----------------------|---------------|-------------|-------------------|----------------------------------|---------------|--------------|----------|---------------|----------|
| | With Rotor | Without Rotor | | | With Rotor | Without Rotor | With Rotor | | Without Rotor | |
| | | | | | | | Brass | SS | Brass | SS |
| 0.11 | 1.0 | 2.2 | 1/4" | 2.80 | 3.63 | 2.90 | DAA-5108 | DAA-5208 | DAA-6108 | DAA-6208 |
| 0.16 | 2.1 | 2.9 | 3/8" | 2.80 | 3.63 | 2.90 | DAA-5110 | DAA-5210 | DAA-6110 | DAA-6210 |
| 0.26 | 3.2 | 8.3 | 1/2" | 3.39 | 3.63 | 2.90 | DAA-5115 | DAA-5215 | DAA-6115 | DAA-6215 |
| 0.26 | 6.6 | 10.0 | 3/4" | 3.70 | 3.63 | 2.90 | DAA-5120 | DAA-5220 | DAA-6120 | DAA-6220 |
| 0.42 | 10.6 | 9.7 | 1" | 4.10 | 3.63 | 2.90 | DAA-5125 | DAA-5225 | DAA-6125 | DAA-6225 |
| 2.12 | 21.1 | 33.0 | 1 1/4" | 4.72 | 3.63 | 2.90 | DAA-5132 | DAA-5232 | DAA-6132 | DAA-6232 |
| 2.12 | 26.4 | 33.0 | 1 1/2" | 5.12 | 3.63 | 2.90 | DAA-5140 | DAA-5240 | DAA-6140 | DAA-6240 |