

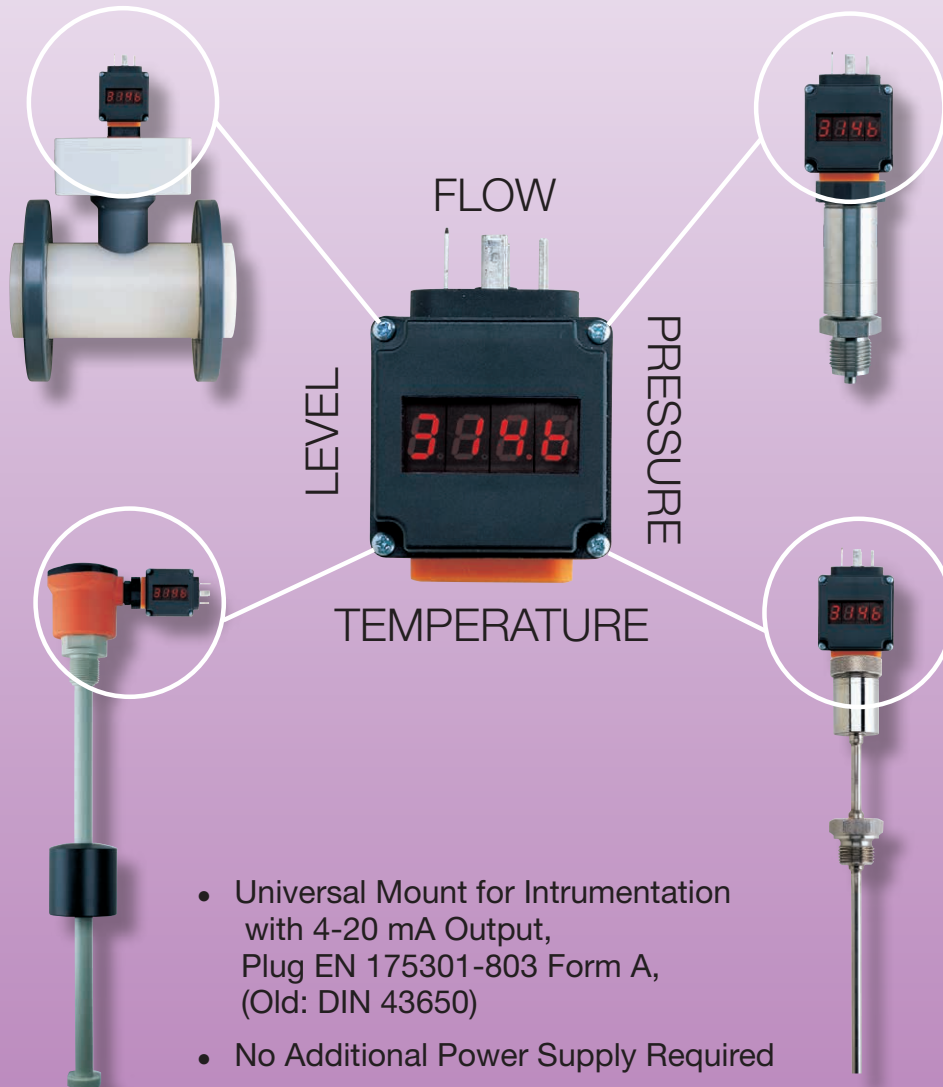
Compact Local Electronic Display

Easy Plug-on Design



measuring
•
monitoring
•
analyzing

AUF



- Universal Mount for Instrumentation with 4-20 mA Output, Plug EN 175301-803 Form A, (Old: DIN 43650)
- No Additional Power Supply Required
- Easy to Program Push Buttons
- Compact Sandwich Construction
- Easy to Read LED-Display



Order from: **C A Briggs Company**

622 Mary Street; Suite 101; Warminster, PA 18974

Phone: 267-673-8117 - Fax: 267-673-8118

Sales@cabriggs.com - www.cabriggs.com

KOBOLD Instruments, Inc.
1801 Parkway View Drive
Pittsburgh, PA 15205

Description

The AUF is a universal local display suitable for use with various transmitters. The transmitter must be fitted with an analog output and a connector in accordance with EN 175301-803 Form A, (old DIN 43 650). Installation is easy, the AUF is simply plugged in between the connector and the socket. It is user programmable via a menu output to the LED display. Scaling, the position of the decimal point, gate time, and switch point (optional) may be set with two keys. It is supplied by the current loop of the 4 - 20 mA signal transmitter and no additional auxiliary power is required. The programmed parameters are stored in an EEPROM which retains data after power loss, up to ten years. Over or under range are displayed as a message on the LED display. All device functions are continuously monitored by an integral diagnostic system. The indicating unit can be rotated in 90° steps and adapted to different installation positions. The integral open-collector output, available as an option, allows a transmitter to be easily retrofitted with a limit contact.



Technical Details

- Display:** 4-digit Red LED Display,
Digit Height: 5/16"
Programmable Decimal Point
- Indicating Range:** -1999...9999
- Accuracy:** 0.2% of span ±1 digit
- Electrical Connection:** Transmitters with 4-20 mA
Output and Plug acc.
EN 175301-803 Form A
(Old: DIN 43 650), Polarized
- Power Supply:** None Required, Loop-powered
24 V_{DC} ±20% (Only AUF-4000)
- Voltage Drop:** ≤ 5 V (acc. to Max. Load 250 Ω)
- Conversion Rate:** 3 Measurements/second
- Gate Time:** 0.3...20 s (Adjustable)
- Data Stability:** Non-volatile EEPROM
- Error Message:** HI: Overrange
LO: Underflow
- Programming:** Two Keys, Menu-assisted,
Scaling of Indication, Decimal
Point, Gate Time, Error Message,
Switch Point (AUF-1001)
- Protection:** IP 65
- Temp. Influence on Disp:** 0.1% / 10 K
- Storage Temperature:** -22 ... 176 °F

Technical Data AUF-1.../AUF-3...

- Current Load:** Max. 60 mA
- Case Material:** Orange Plastic PA6 GF30,
Window: Red PMMA
- Ambient Temperature:** 32 ... 140 °F
- Open Collector:** Model AUF-1001, PNP,
Max. Current Load 90 mA

Technical Data AUF-4000

(Option for DIN Plug Connector)

- Display:** 4-segment Red LED
- Temperature range:** -4...176 °F
- Power supply:** 24 V_{DC} ±20%
- Input:** Pulses of DTK
(NPN-Hall Effect Sensor)
- Output:** 4-20 mA, 3-wire
- Load:** 250 Ω
- Calibration:** Only with Factory-Mounted Sensor
- Option:** Presetting According to Customer
Specifications

Order Details

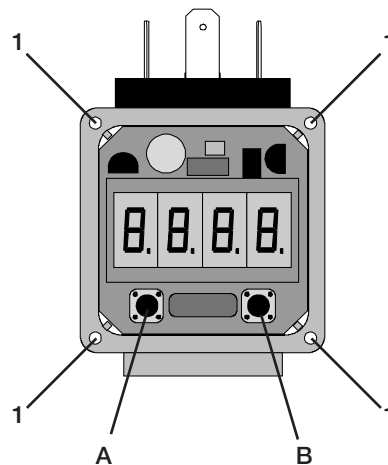
Model	Description
AUF-1000	Standard Plug-on Display, 4 -20 mA, 2-wire
AUF-1001	Plug-on Display with Open Collector, 4 -20 mA, 2-wire
AUF-3000	Plug-on Display, 4 -20 mA, 3-wire
AUF-4000	Plug-on Display, Input: Pulse, Output 4-20 mA (Can only be Calibrated with Factory-mounted Sensor)

Application Examples

Flow	Pressure
	
<p>TUR Turbine Flowmeter with Analog Output</p>	<p>SEN / KPG Pressure Sensors with Analog Output</p>
Level	Temperature
	
<p>NM / NML Level Transmitter</p>	<p>TMA Temperature Sensors with Head Mounted Transmitter</p>

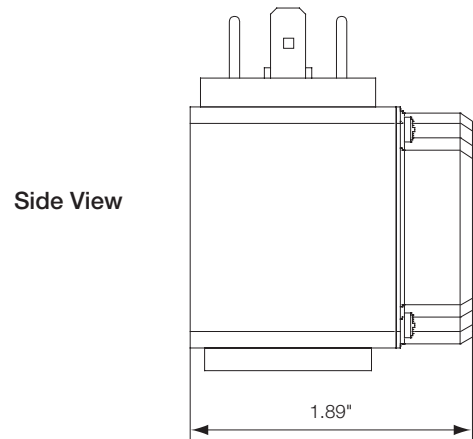
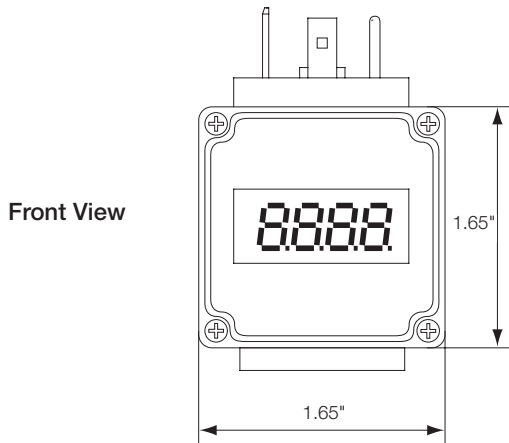
Adjustment

- Simple Programming through Keys A and B
- Free Scaling of Display Value
- Software Oriented Adjustment of the Decimal Point
- Adjustable Gate Time of the Display
- Recognition of Overranging
- Freely Programmable Set-point Adjustment (Option)



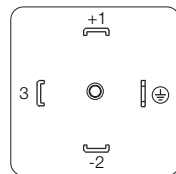
For adjustment, the 4 screws (1) of the display should be unscrewed and the cover removed.

Dimensions



Electrical Connection

	AUF-1000	AUF-1001	AUF-3000 AUF-4000
PIN 1	+VS / S+	+VS / S+	+VS
PIN 2	GND/S	GND/S	GND
PIN 3	-	Switch Out	Signal



Accessories

For mounting of the plug-on display on devices with NPT connections, an adapter is available. The adapter is simply screwed into the existing 1/2" NPT opening and wired to the device. At the opposite side of the adapter, is a plug according to EN 175301-803 Form A (old DIN 43650), on which the display can be simply plugged onto.

Ordering Details

Model Number	Description
REED-P932214100	Female Cap Plug, 3+GND, with Cable Gland
REED-P931970100	Female Cap Plug, 3+GND, with 1/2" NPT Conduit
807.701	Male Fitting in a 1/2" NPT

