



# LD3xiC™

Process Tank Weighing for Dry-To-Wet Operating Conditions

.....  
**TECHNICAL SPECIFICATIONS**



From bakery, pasta, confectionery and spice processing to resins, concrete/aggregate, sand, pulp, minerals and other dry-to-wet operating conditions, the full bridge foil gauge LD3xiC™ offers very specific advantages not available in most higher-priced load cells. Standards include a tough cage mounting fixture into which the 17-4 stainless steel LD3xiC™ load cell securely locks in place. This unique cage arrangement compensates for minor structural misalignment and offsets side loads due to positioning errors, thermal tank expansion, etc., while providing a high-strength structural support.

## FEATURES AND BENEFITS

### Easy to Install and Access

Sensor mounted into rugged “cage” fixture hardware which never requires removal in the event of load cell changeovers.

### Single Footprint and Cost

Easy to design in, regardless the capacity.

### Load Self Alignment

Ensures high performance.

### All Stainless Steel Sensor Design

Beneficial in washdown environments for corrosion free sensor.

### Self Checking and Overlift Protection Structure

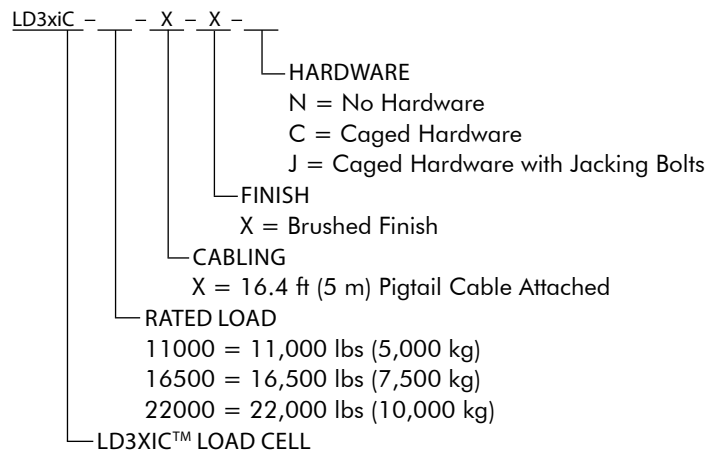
No check rods needed.

### High Functional Overload Capacity

Allows overloading vessel without damaging load cells.

This stainless steel load cell has been designed to ease the installation of weighing and batching systems, in tanks, bins and in static or vibrating hoppers. Since the LD3xiC™ load cell can be installed before or after the tank is installed onto the cage fixture, there is more flexibility in mounting procedures. If ever the load cell needs to be replaced, it can be removed without having to remove the cage fixture itself. The LD3xiC™ is available in weight capacities from 11,000 to 22,000 lb and is easy to specify.

## HOW TO ORDER

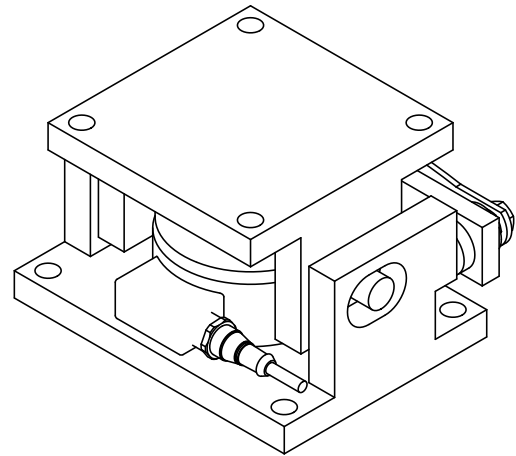


## SPECIFICATIONS

FUNCTIONAL	
Excitation Voltage - Operating Range	5 VDC- 15 VDC
Maximum Current	16 mA @ 10 VDC excitation
Input Resistance	700 ohms $\pm$ 1%
Insulation Resistance	> 5 ohms
Recommended Supply Voltage	10 VDC
Compression	3 x rated load
Functional Integrity	1.5 x rated load (compression)
PERFORMANCE	
Non-linearity/Hysteresis Combined	0.03% rated load
Return to Zero	Over 30 min: 0.026% rated output
Creep	Over 30 min: 0.028% rated output Over 20 and 30 min: 0.008% rated output
Zero Balance	1% rated output
Rated Output	2 mV/V $\pm$ 0.1%
PHYSICAL	
Temperature Range	Standard: 14° to 104° F (-10° to 40° C) Sensitivity Change: 0.00094% /° F (0.0017% /° C) Zero Shift: 0.0013% /° F (0.0024% /° C) Storage Temp Range: -4° to 176° F (-20° to 80° C)
Humidity	100%
Rating	IP68 (100h at 1m water column)
Construction	Load cell and cage: 17- 4 PH 900 SS
Cable	4-conductor, 22 gage shielded, 16 ft (5 m) long, with finned pigtail termination
Shipping Weight	18.7 lb (3.9 kg)

## DIMENSIONS

Installed Height	3.94 in (100.0 mm)
Base Plate	6.30 in x 4.72 in (160 x 120.0 mm)
Top Plate	4.72 in x 4.72 in (120 x 120 mm)
Overall Length	6.88 in (169.7 mm)
Overall Depth	5.04 in (137.2 mm)



LD3xiC

Order from: **C A Briggs Company**

622 Mary Street; Suite 101; Warminster, PA 18974

Phone: 267-673-8117 - Fax: 267-673-8118

[Sales@cabriggs.com](mailto:Sales@cabriggs.com) - [www.cabriggs.com](http://www.cabriggs.com)



**venture**  
MEASUREMENT

97-7071-05 Rev. C

2016 All rights reserved.  
All data subject to change without notice.