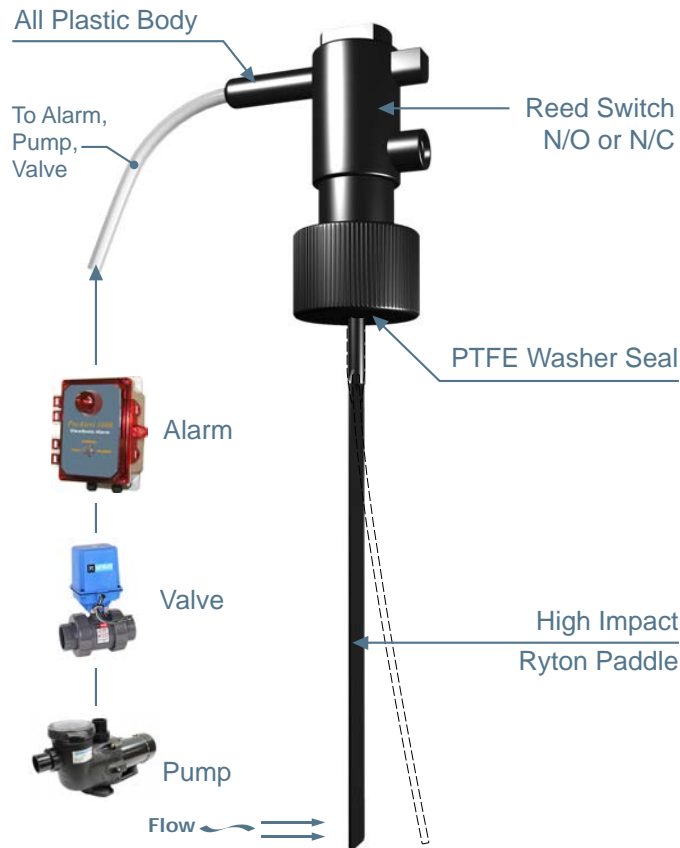


- All Plastic Construction 1/2" - 16"
- Perfect for Pump Protection
- Flow - No/Low Flow Notification



SERIES : UFS  
 CONNECTION: 3/4" NPT  
 Seal : PTFE

### Description

The Heavy Duty Truflo UFS Series flow switch is easy to install and offers excellent chemical resistance and reliability. The UFS Series is available with a normally open or normally closed reed switch contact. The nominal switching point is determined by the length of the paddle. During installation, the paddle is typically cut at a mark based upon the pipe diameter, equating to the highest possible switch sensitivity and lowest switching point. Installation is easy: Simply insert the UFS Flow Switch into an appropriately sized Tee fitting.



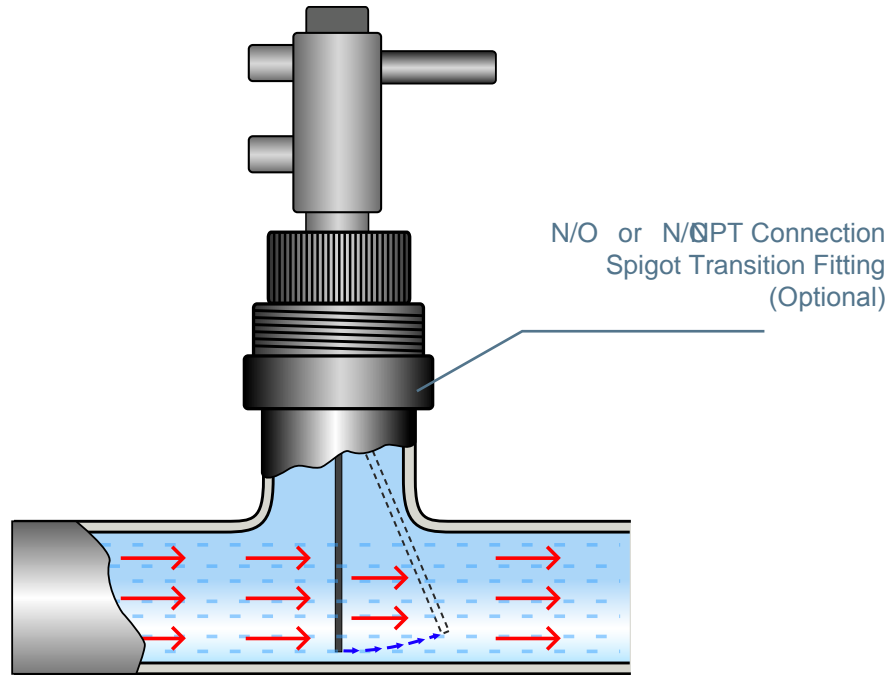
Universal - Trim to Desired Length  
 Can be done Easily in the Field  
 Simple to Install

### FEATURES

- Excellent Chemical Resistance
- Size Range 1/2"- 16"
- Easy to Install -Simply mount switch into Plastic Tee Type Fitting
- Excellent Mechanical Properties
- High Pressure Rating (Up To 200 Psi)
- High Wear Resistance
- Heavy Duty Design
- No Power Required
- 3/4" x Spigot PVC Adapter Fitting (Optional)

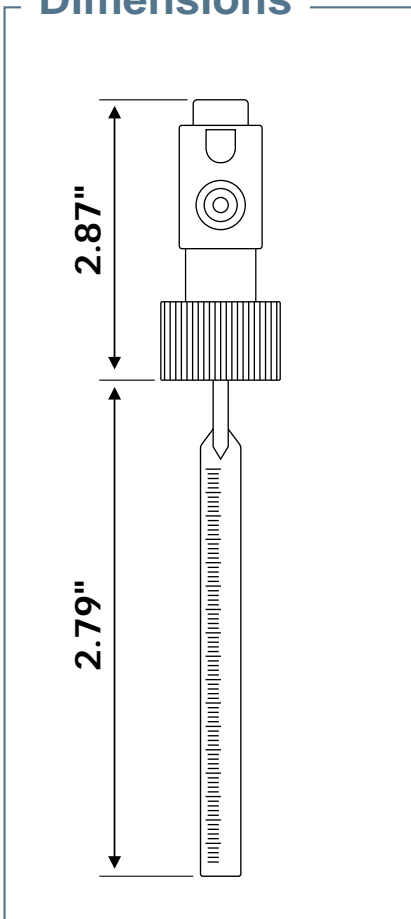
### SPECIFICATIONS

|  |   |
|--|---|
| Pipe size                              | 1/2" to 16"   |
| Sensor Body Paddle                     | RYTON   |
| Electrical Connection                  | 2 Wire  |
| Viscosity Range                        | 0.5 to 20 Centi Stoke (cst)   |
| Maximum Particle Size                  | <10% with Particle Size (<0.5mm cross section or length) Recommend Strainer If Larger |
| Maximum Operating Pressure/Temperature | 200 psi @ -30 to 100°C  |
| Cable                                  | 3 ft (Std) Longer Lengths Available   |
| Max. Power                             | 1 Amp   |



**Perfect for Pump Protection**

**Dimensions**



| PVC and CPVC Pipes - Schedule 40 |                                   | PVC and CPVC Pipes - Schedule 80 |                                   |
|----------------------------------|-----------------------------------|----------------------------------|-----------------------------------|
| Normal Pipe Size (Inches)        | Approximate Switching Point (GPM) | Normal Pipe Size (Inches)        | Approximate Switching Point (GPM) |
| ½                                | 1.9                               | ½                                | 1.5                               |
| ¾                                | 3.3                               | ¾                                | 2.7                               |
| 1                                | 5.4                               | 1                                | 4.5                               |
| 1-¼                              | 9.3                               | 1-¼                              | 8.0                               |
| 1-½                              | 12.7                              | 1-½                              | 16.0                              |
| 2                                | 21.0                              | 2                                | 18.4                              |
| 2-½                              | 30.0                              | 2-½                              | 21.4                              |
| 3                                | 46.0                              | 3                                | 41.0                              |
| 4                                | 79.0                              | 4                                | 72.0                              |
| 5                                | 124.0                             | 5                                | 113                               |
| 6                                | 180.0                             | 6                                | 162                               |
| 8                                | 312.0                             | 8                                | 385                               |
| 10                               | 492.0                             | 10                               | 448                               |
| 12                               | 697.0                             | 12                               | 634.0                             |
| 14                               | 843.0                             | 14                               | 765.0                             |
| 16                               | 1100.0                            | 16                               | 1003.0                            |