

TK3 SERIES


MULTI-FUNCTION 316 SS FLOW METER

Order from:
C A Briggs Company
 622 Mary Street; Suite 101
 Warminster, PA 18974
 Phone: 267-673-8117 - 800-352-6265
 Fax: 267-673-8118
 Sales@cabriggs.com - www.cabriggs.com



Truflo provides excellence in flow meter products for many industries. This high level of performance results from decades of experience enhancing paddle wheel flow measurement technologies. The results are flow meter products recognized worldwide for their quality, performance, versatility and ease-of-use. Our flow meters deliver impressive performance – even under the toughest conditions.

316SS



SERIES : TK3
 CONNECTION: NPT, DIN (Thd)
 SEALS : FPM/EPDM/FFKM



On Paddle Assembly



*Zirconium Ceramic
 Rotor Pin & Bearings...
 The Only thing Harder
 is Diamond*



FEATURES

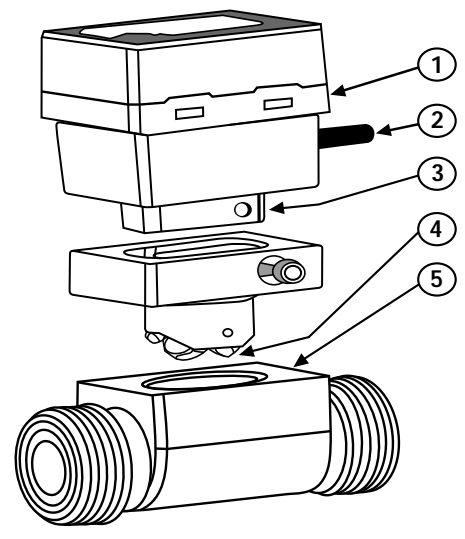
- High Accuracy Less than $\pm 1.0\%$ of Full Scale
- Unit of Flow Measurement is Selectable (Liter/Gallon/Kilo-liter)
- Corrosion Resistant Materials 316 SS , TEFZEL, CERAMIC
- Low Cost Visual Indication
- Easy Installation – No Mounting Kits
- High Flow Range (.3m/s - 10m/s) (.98 ft/s - 32.8 ft/s)
- Easy to Program
- Compact Design
- Large Bright LED Digital Display
- Horizontal or Vertical Installation
- Size Range 1/4" – 2 1/2" NPT
- Low Pressure Drop
- (4-20 mA) + (Pulse)-Output Signal
- NEMA 4X Enclosure
- Suitable for Corrosive Environments
- Password Protected Security

SPECIFICATIONS

Fluid	Water or Chemicals Liquid - Viscosity Range: .5-20 centistokes
Accuracy	$> \pm 1.0\%$ of F.S. @ 20°C (68°F) - Repeatability $\pm .5\%$ of Full Scale
Max Flow Velocity	10 m/s max - (32.8 ft/s max)
Min Flow	0.3 m/s min. - (.98 ft/s min)
Operating press	150 psi
Turndown	33:1
Response time	Real Time
Material of Construction	Paddle: Tefzel Body: 316 SS Shaft: Zirconium Ceramic Seals: EPDM/FPM
Operating Temperature	316 SST < 120°C (248°F)
Electronics	+ 50°C (122°F)
Protection Class	IP66 NEMA 4X
Approval	CE Rohs
Current Draw	60mA Max
Battery	10-30VDC

PARTS TK3 SERIES

1. Flow Controller
2. Lead Wire
3. Hall Sensor
4. Paddle Wheel
5. Body (316 SST)



PRODUCT SELECTION

EXAMPLE

TK3P ----- 25 ----- SS ----- RS ----- M
 (1) (2) (3) (4) (5)

1. SERIES

- TK3S = Paddle Wheel Flow Meter with Relay Output + Flow Rate Pulse Output
- TK3P = Paddle Wheel Flow Meter & Flow Totalizer + (Flow Rate Pulse + Flow Total Pulse)
- TK3M = Paddle Wheel Flow Meter with Transmitter -4 -20mA + (Flow Rate Pulse + Flow Total Pulse)

2. PIPE SIZE

- 08 = (1/4") / 10 = (3/8")
- 15 = (1/2") / 20 = (3/4")
- 25 = (1") / 40 = (1 1/2")
- 50 = (2") / 65 = (2 1/2")* * Special Order

3. BODY MATERIAL

SS = 316 SST

4. COMMUNICATION OR TRANSMITTER

RS = TKP Series with RS-485 MODBUS Selectable

5. CONNECTION METHOD

M = M12 2(M) Connection

TYPICAL APPLICATION

