

- High Accuracy $\pm 1\%$
- 4-20mA + 2 Relay Outputs
- Excellent Chemical Resistance

PVC

CPVC

PP

PVDF

RoHS
 Compliant

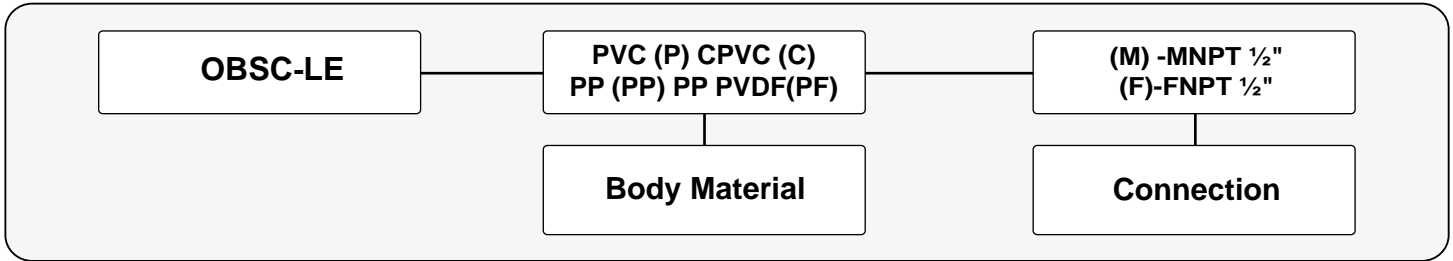
SERIES : OBSC-LE
 CONNECTION: 1/2" (M) (F) NPT, 150lb ANSI Flange
 DIAPHRAGM : PTFE Teflon



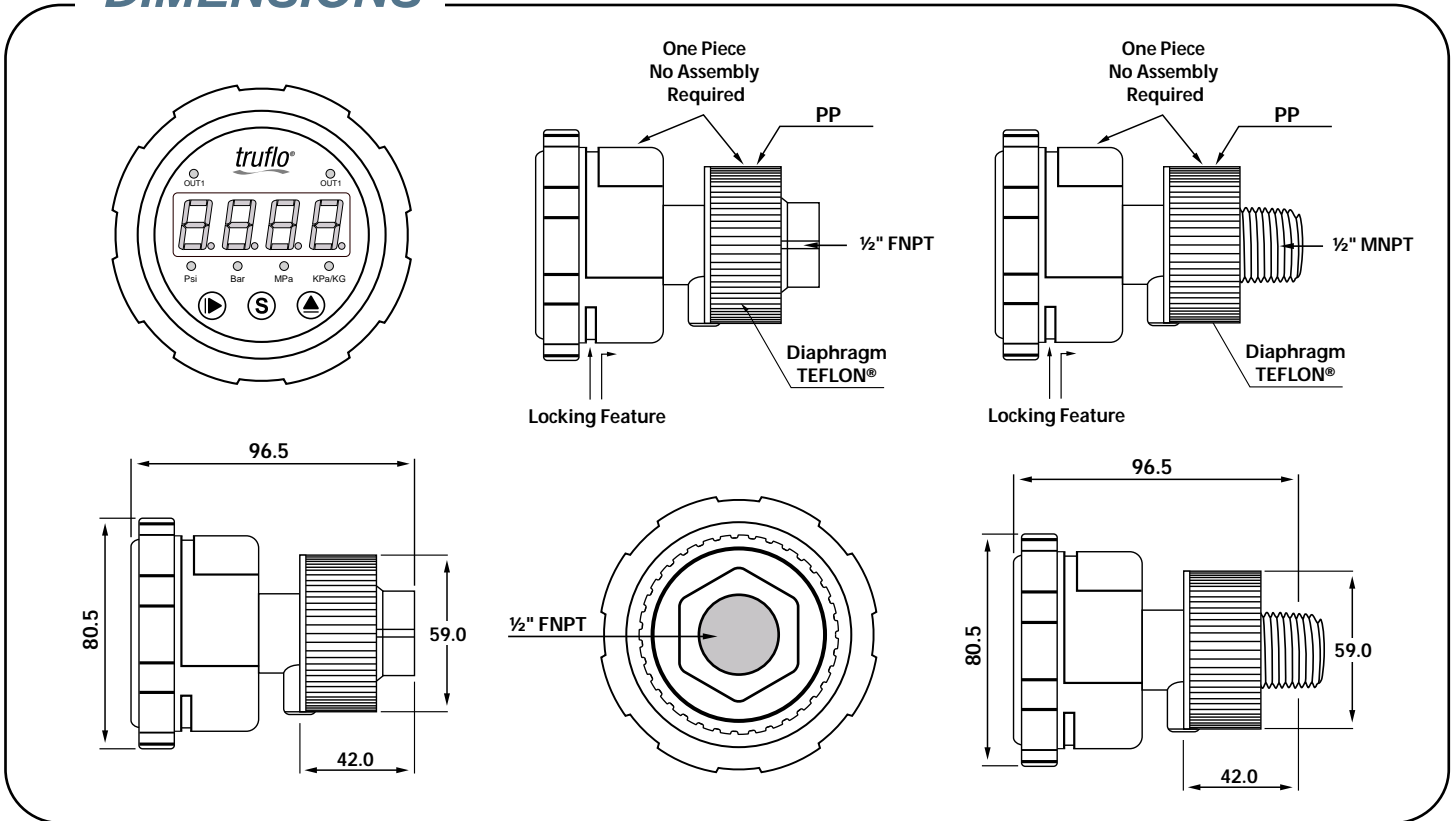
FEATURES	
• All Plastic (Gauge + Isolator) Center Mount	
• No Filling Required	
• Heavy Duty Design; Simple to Install	
• Completely Corrosion Resistant	
• Designed to Act as Visual Pressure Alert for Bag/Filter Change-Out	
• Extra Large LED Display	
• Reduces Small Pressure Surges caused by Water Hammer or Metering Pump Pulsations	
• Highest Accuracy in Industry $\pm 1\%$	
• One-Piece Molded Design (No Assembly)	
• Suitable for Corrosive Media + Slurries	
• No Programming Required	
• PTFE Diaphragm	
• 15 ft (M) 5 of Cable	
• No Assembly Required - Fit & Forget	

SPECIFICATIONS	
Dial Diameter	Large 2 1/2" (Big Numbers)
Mounting	Direct Mount, Back/Center Connection NPT 1/2"
Housing	NEMA 4X PVDF or Polypro - PTFE Diaphragm - One Piece Molded Design (No Assembly)
Power Consumption	Less than 30 mA
Display	LED
Connection	1/2" (M) (F) NPT 150 lb ANSI Flange
Accuracy	$\pm 1.0\%$
Operating temperature	PVC - 140 F CPVC-180F PP-170°F PVDF-195 F
Pressure Range	0-225 PSI (Ambient Temp)
Output	4-20mA + 2 (NPN or PNP) Relay Outputs
Power Supply	10-30V DC

HOW TO ORDER



DIMENSIONS



INSTALLATION

Do not tighten by grasping the case of the gauge as this may cause damage.

1. Before installing the OBS Series pressure gauge, ensure attention is given to the Process Liquid, Chemical Compatibility, Temperature, Vibration, Pressure Spikes, and other climatic and application conditions that may adversely affect the performance.
2. The user shall ensure that the correct gauge pressure range and the correct materials of construction are selected.

