

OBS-B SERIES

Center Mount Pressure Gauge & Isolator

Order from:
C A Briggs Company

622 Mary Street; Suite 101
 Warminster, PA 18974

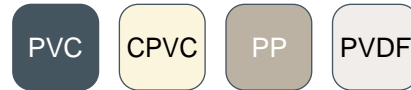
Phone: 267-673-8117 - 800-352-6265

Fax: 267-673-8118

Sales@cabriggs.com - www.cabriggs.com



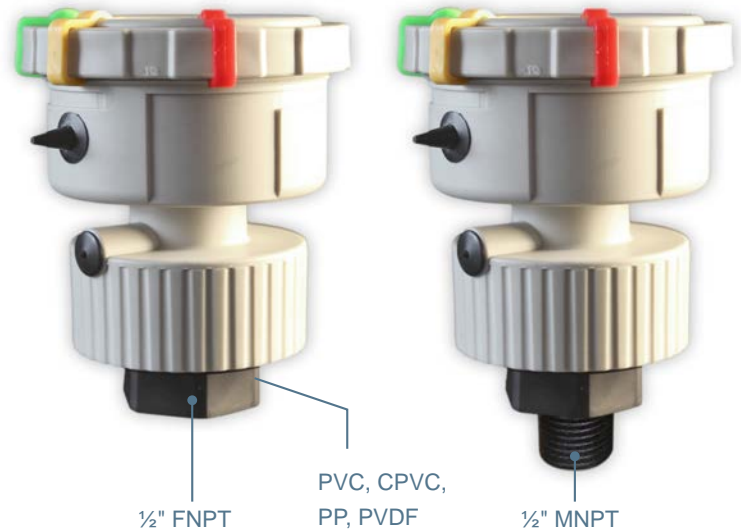
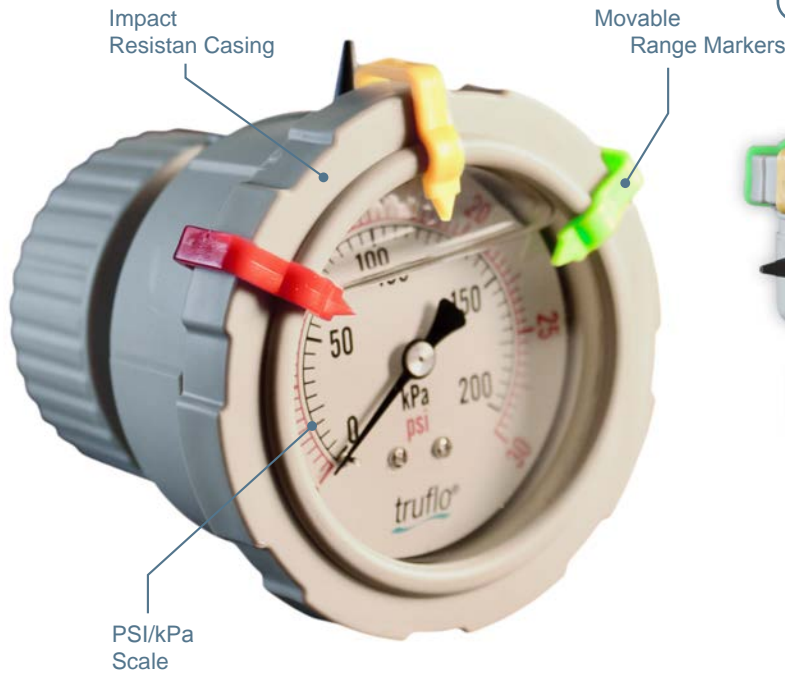
- Excellent Chemical Resistance
- No Filling Required
- High Impact Enclosure



SERIES : OBS-B

CONNECTION: ½" (M) (F) NPT, 150lb ANSI Flange

DIAPHRAGM : PTFE Teflon



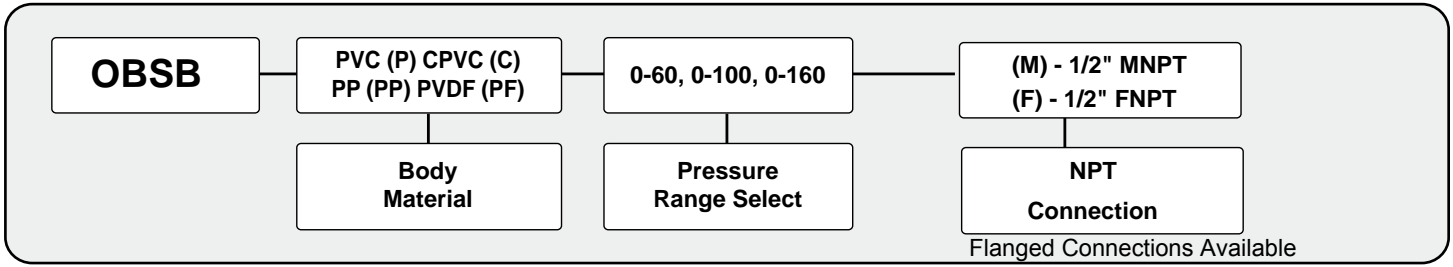
FEATURES

- All Plastic (Gauge + Isolator) Filled
- Heavy Duty Design; Simple to Install
- Completely Corrosion Resistant
- Designed to Act as Visual Pressure Alert for Bag/Filter Change-Out
- Extra Large Colored Display
- Reduces Pressure Surges caused by Water Hammer or Metering Pump Pulsations
- Highest Accuracy in Industry 1.5%
- Glycerin (Std) or Silicone (Opt)
- No Filling Required
- One-Piece Molded Design (No Assembly)
- Suitable for Corrosive Media + Slurries

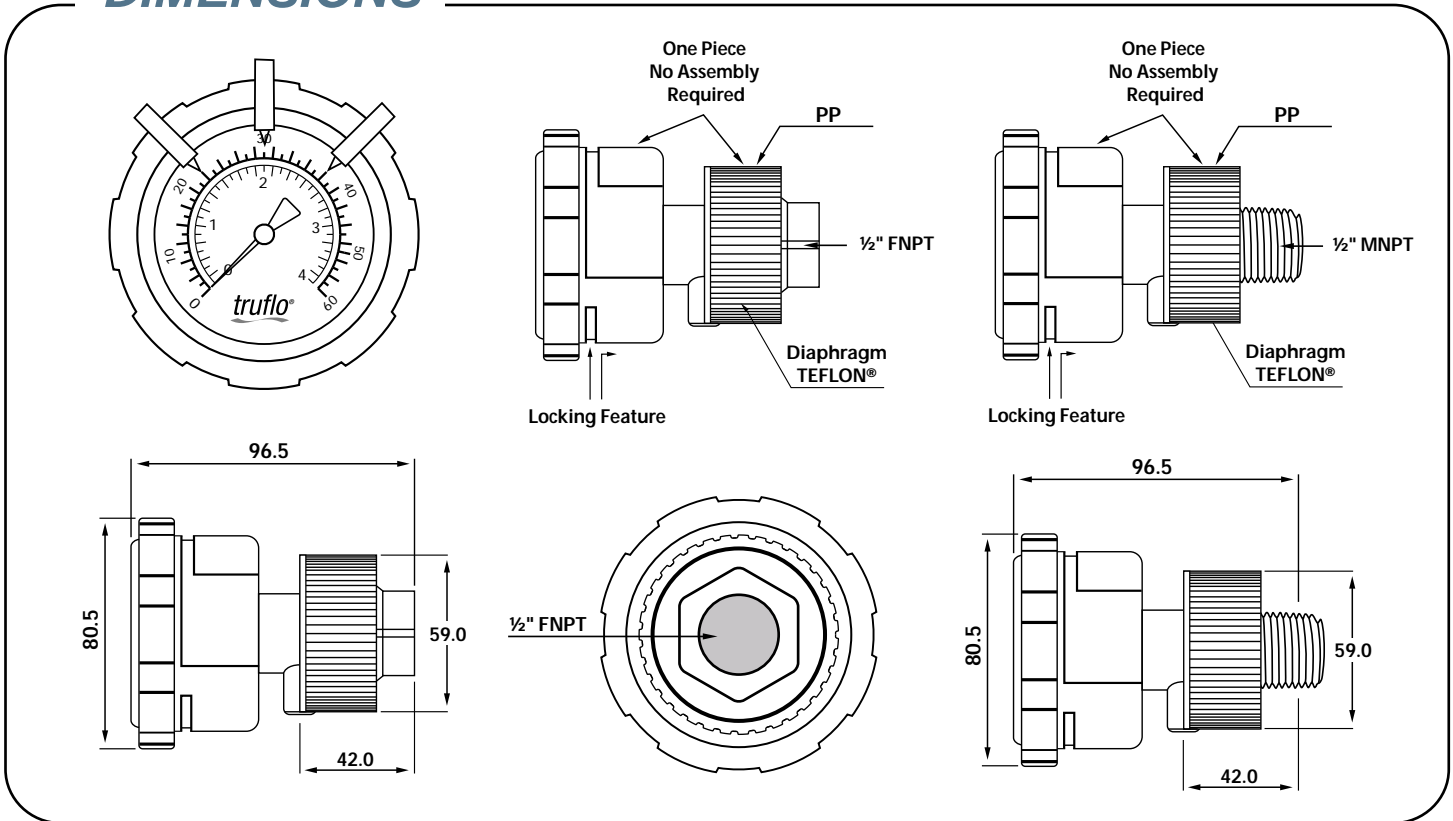
SPECIFICATIONS

Dial Diameter	Large 2½" (Big Numbers-Clear Markers)
Mounting	Back/Center Mount Connection - ½"
Housing	PVDF or Polypropylene- PTFE Diaphragm - One Piece Molded Design (No Assembly or Filling Required)
Lens	High Impact Polycarbonate
Dial	Red & Black Scale White Background, dial arc 270°
Measuring Principle	Bourdon Tube-SS316 (Non Wetted) Diaphragm (wetted part) - FPM (Standard)
Movement	SS316 (Non Wetted)
Gauge	Red, Yellow, Green Movable Plastic Range Markers Fitted onto the Bezel
Connection	1/2" (M) (F) NPT 150 lb ANSI Flange
Filling	Glycerin, Silicone (Opt)
Accuracy	±1.5% F.S.
Operating temperature	PVC -140°F CPVC 180°F PP-170°F PVDF-195°F
Pressure Range	Standard range 0-60 / 0-100 / 0-160 PSI (Second Scale: kPa) Other units available, e.g., bar, MPa, etc.

HOW TO ORDER



DIMENSIONS



INSTALLATION

Do not tighten by grasping the case of the gauge as this may cause damage.

1. Before installing the OBS Series pressure gauge, ensure attention is given to the Process Liquid, Chemical Compatibility, Temperature, Vibration, Pressure Spikes, and other climatic and application conditions that may adversely affect the performance.
2. The user shall ensure that the correct gauge pressure range and the correct materials of construction are selected.

