

PLS Series Plastic Level Switches

The **Levelpro PLS Series** compact level switches combine low cost and reliability with fast, simple installation. The all plastic level switches contain an hermetically sealed reed switch that is actuated by magnets that are permanently bonded inside the float. They can be easily adapted to open or close a circuit based on the rising or falling of the liquid level. The switch action can be reversed by removing the float, rotating it end-for-end and replacing it on the stem. Vertical models mount internally, oriented within 45° of vertical, or select optional fittings for external mounting. Switch ratings are suitable for many solid-state control systems and small monitors or alarms. Simple relay interfaces can be used for higher current applications such as pumps and on-off valve actuators



Advantages

- **Cost Effective**
- **Easy to Install**
- **High or Low level Indication**
- **All Plastic Design**
- **Excellent Chemical Resistance**
- **Horizontal / Vertical Operation**

Working Principle

As a direct result of rising or falling liquid, a magnetic field is moved into the proximity of a reed switch, causing its actuation.

Areas of Application

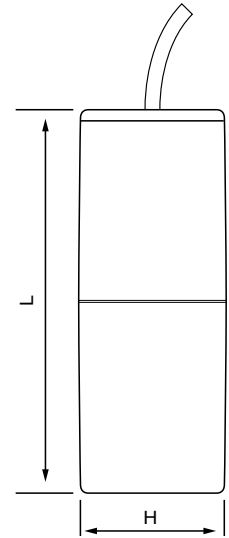
Machines, Tanks, Boilers, Corrosive Liquids Chemical Skids, Sumps, Solvent Recovery, Systems, OEM Applications.

TECHNICAL SPECIFICATIONS

Float Material	PP
Wetted Parts Material	PP/PE
Pipe Material	PP
Working Temperature	PP -20- 80°C
Max. Pressure	15 psi
Min. Density (g/cm3)	0.7
Electrical Connection	Cable
Number of Float	1 Std.
Number of Contact	1 Std.
Contact Capacity	10W , 200 VDC- 110 VAC
Description	Liquid Level Relay

Model- PLS-PEV

MODEL	PLS-PE
L	82.0
H	34.0

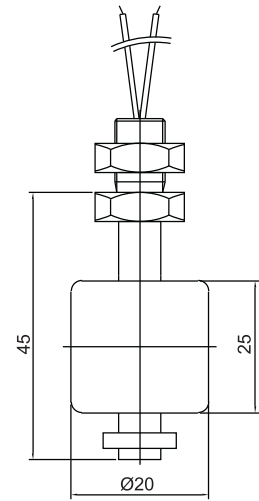


TECHNICAL SPECIFICATIONS

Float Material	PP, PVDF
Wetted Parts Material	PP, PVDF
Pipe Material	PP, PVDF
Float Type	P1, P8
Working Temperature	PP -20 - 80°C, PVDF -40 -100°C
Mechanical Connection	1/8"
Max. Pressure	Atm.
Min. Density (g/cm3)	0.7
Electrical Connection	Cable
Number of Float	1 Std.
Number of Contact	1 Std.
Contact Capacity	10W , 150 VDC- 120 VAC
Description	Liquid Level Relay

Model- PLS-31V (Polypropylene) PLS-32V (PVDF)

MODEL	PLS 11 Cylinder
a	20
b	26
c	8.5
d	44
e	55
f	6
	12
x	17Hex
y	17Hex
z	1/8" NPT



TECHNICAL SPECIFICATIONS

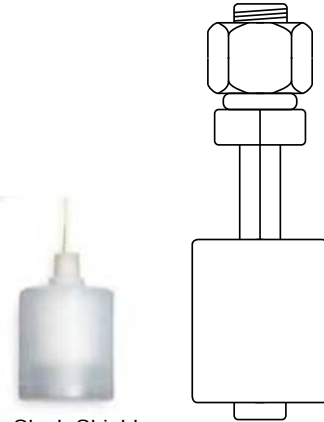
Float Material	PP, PVDF
Wetted Parts Material	PP, PVDF
Pipe Material	PP, PVDF
Float Type	P1, P8
Working Temperature	PP -20 - 80°C, PVDF -40 -100°C
Mechanical Connection	1/8"
Max. Pressure	Atm.
Min. Density (g/cm3)	0.7
Electrical Connection	Cable
Number of Float	1 Std.
Number of Contact	1 Std.
Contact Capacity	10W , 150 VDC- 120 VAC
Description	Liquid Level Relay

Model- PLS31-SV (Polypropylene) PLS32-SV (PVDF)

MODEL	PLS Cylinder
a	20
b	26
c	8.5
d	44
e	55
f	6
	12
x	17Hex
y	17Hex
z	1/8" NPT

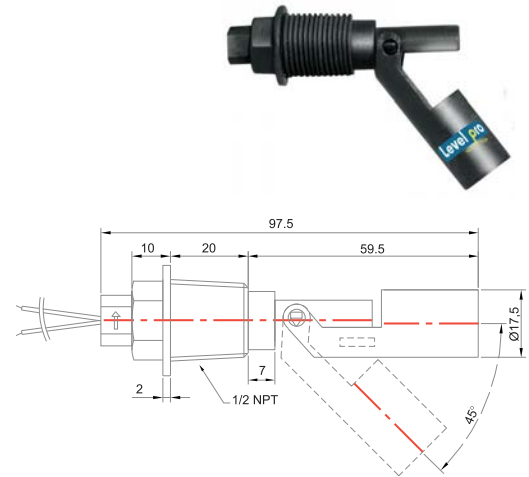


Slosh Shield



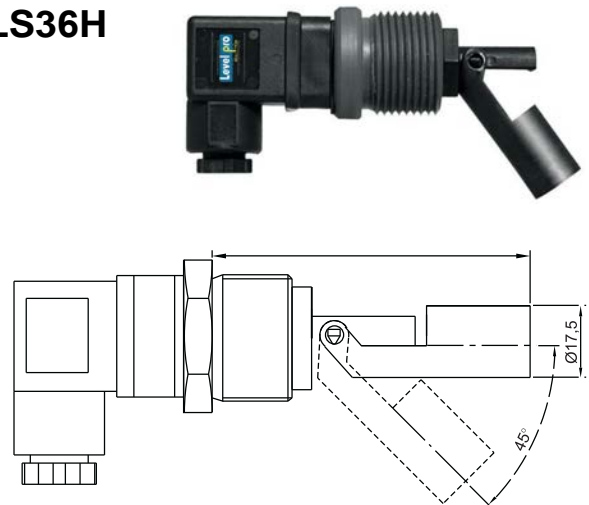
SPECIFICATION	PLS 31 I 41	PLS 33
Float Material	PP	PVDF
Wetted Parts Material	PP	PVDF
Float Type	P10	P10
Working Temperature	(-)20/+80°C / (-)30/+120°C	(-)30/+120°C
Mechanical Connection	1/2" NPT/BSP	1/2" NPT/BSP
Max. Pressure)	60 Psi	2
Min. Density (g/cm3)	0.75	0.85
Electrical Connection	Cable	Cable
Number of Float	1 Std.	1 Std.
Number of Contact	1 Std.	1 Std.
Contact Capacity	10W , 200 VDC - 140 VAC	10W , 200 VDC - 140 VAC
Description	Liquid Level Relay	Liquid Level Relay

Model- PLS34H, PLS35H



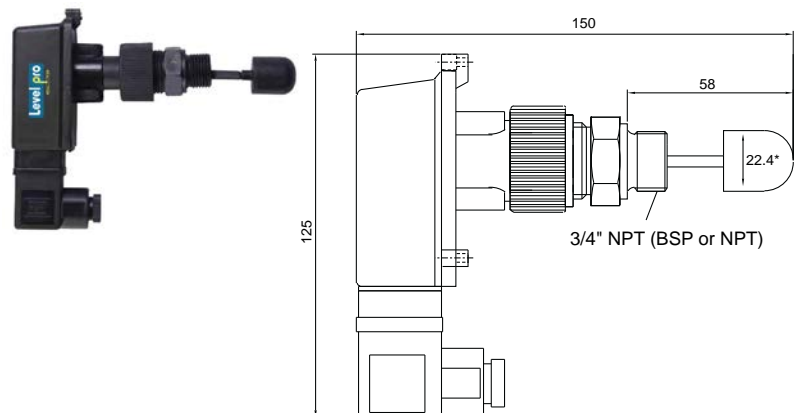
TECHNICAL SPECIFICATIONS	
Float Material	PVDF
Wetted Parts Material	PVDF
Float Type	P10
Working Temperature	(-)20/+80°C
Mechanical Connection	1" NPT/BSP
Max. Pressure	60 Psi
Min. Density (g/cm3)	0.75
Electrical Connection	DIN43650C Socket, P03
Number of Float	1 Std.
Number of Contact	1 Std.
Contact Capacity	10W , 200 VDC - 110 VAC
Description	Liquid Level Relay

Model- PLS36H



TECHNICAL SPECIFICATIONS	
Float Material	PP
Wetted Parts Material	PP
Pipe Material	PP
Float Type	P81
Working Temperature	(-)20/+80C
Mechanical Connection	3/4" NPT/BSP
Max. Pressure	150 Psi
Min. Density (g/cm3)	0.75
Electrical Connection	DIN43650C Socket
Number of Float	1 Std.
Number of Contact	1 Std.
Contact Capacity	50W , 200 VDC- 110 VAC
Description	Liquid Level Relay

Model- PLS-B12H



⚠️ *Float Diameter is greater that 3/4" NPT Dimension