

- Heavy Duty Industrial
- PVC, PP, PVDF Plastic Transmitter *
- Epoxy Coated Heavy Duty Enclosure + Display



The new Tankpro Series Submersible Level Sensor converts the level-proportional hydrostatic pressure into a standardized signal 4 to 20 mA. The sensor consists of a corrosion resistant thermoplastic with mechanical protection IP 68, a piezo-resistive sensor with ceramic diaphragm. The sensor cable consists of a PTFE Teflon encapsulated coating, and contains a ventilation tube for connection to the atmosphere

The back-lit display provides accurate visual indication of the process level measurement

The new external three-button menu function makes it simple to program and operate


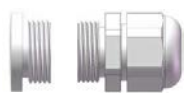
MAIN PARAMETERS	
Pressure Types	Submersible Pressure Sensor
Measuring Range	0'-14' 0'-20' 0-34' 0'-54'
Output Signal	4-20mA
Reference Accuracy	±0.5% URL
Measuring Medium	Liquids
Field of Application	Liquid Level Measurement

SPECIFICATIONS	
Level ft/H ₂ O	14.0 20.0 33.5 54
Overpressure PSI	21 29 29 58
Burst Pressure > PSI	29 58 58 72
Output Signal/Supply	2-wire: (4-20mA Loop Powered) , Optional - 4-20mA+HART , 0-5VDC, Modbus- RTU/RS485
Accuracy	$R_{max} = [(Vs - Vs_{min}) / 0.02 A] \Omega$
Influence effects	Supply : 0.05% Full Scale/10V Load : 0.05% Full Scale/K
Long term stability	<± 0.1% Full Scale over One Year
Response time	<10 msec or better
Thermal Error	<± 0.2% FSO/K in compensated range -25 - 70°C -13 - 158°F
Permissible Temp	PVC 0-60°C (32°F -140°F) PP -20°C -80°C (-4° -180°F) PVDF -20°C-80°C Medium- (-4-180°F) Storage -10°C -60°C
Short-circuit Protection	Permanent
Reverse Polarity Protection	No Damage to Sensor
Electromagnetic Compatibility	Emission Immunity according to EN 61326
Short-circuit Protection	Permanent

* Also available in 316 SS Version

Sensor Select Instruction

Code	Item	Description
T1	Electrical Connection	Aluminum-alloy terminal, 2 cable entry M20*1.5(F), red body, white cover
R1	Cable Entry Protector	Waterproof connector M20*1.5 one side, blind plug another side, PVC material, 6-8mm diameter cable only, IP67
R2		Flame proof, 1/2 NPT(F) one side, blind plug other side, stainless steel material, 6-8mm diameter cable only, IP67
R3		Flame proof, M20X1.5(F) one side, blind plug other side, stainless steel material, 6-8mm diameter cable only, IP67

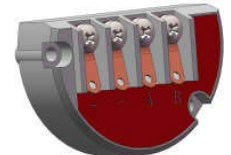
Housing(T1)
Standard Cable Entry Protective Adaptor(R1)

Transmission module

Code	Item	Description
F	Output signal	4-20mA two wire, power supply: 10.5-55VDC
H		4-20mA+HART two wire, power supply: 16.5-55VDC
A	Display	Without display
C		With LCD display

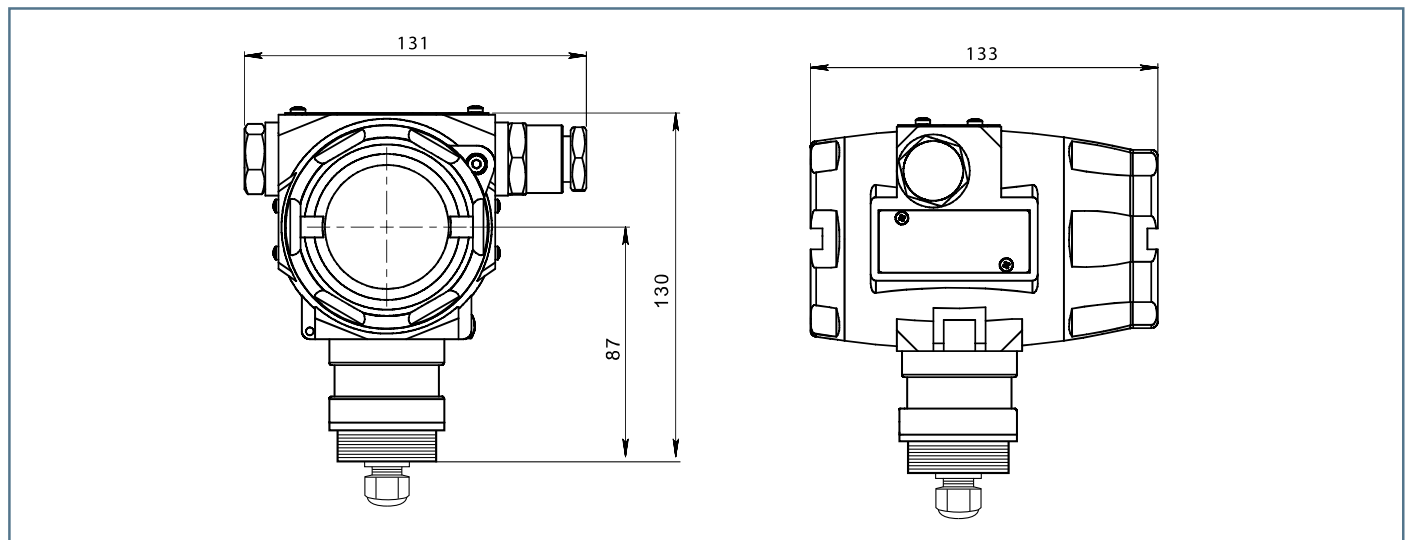


Display module(C)



Terminals

Drawing Dimension



ORDERING

Part Number	Input	Material	Output
0-14ft	191-1001-A113302F	PVC	4-20mA
0-14ft	191-1001-B113302F	PP	4-20mA
0-14ft	191-1001-E113302F	PVDF	4-20mA

Consult Factory for alternative range pricing 20', 34' 54'

Please consult factory for Pricing on 316 SS Version