

LWC-800 Series Low Level Cut Off Control

- ▶ External Mounting
- ▶ Meets CSD1 Requirements
- ▶ U.L. Recognized "Limit Control"
- ▶ Compact Size
- ▶ Options Include: Manual Reset, Power Outage Feature, and Test Feature

Gems LWC-800 is designed for boiler low-water cutoff protection, and offers the most compact package for boiler and steam generators. For added safety, the sensor assembly incorporates redundant reed switches at the actuation level. The LWC-800 Series is ideal for R.O., distilled, or deionized water systems.

Optional Features:

- Power Outage feature allows for resets after nuisance power outages;
- Reset Button feature to be used when device has been deactivated due to low water condition. A Reset is activated only after water has returned to normal level.

Specifications

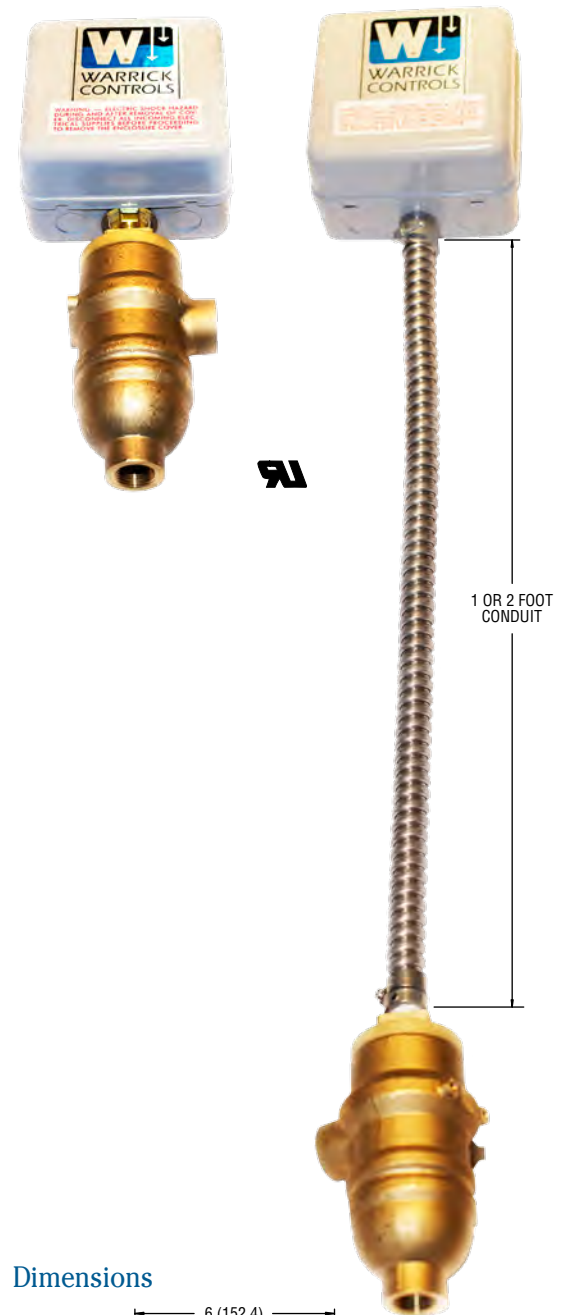
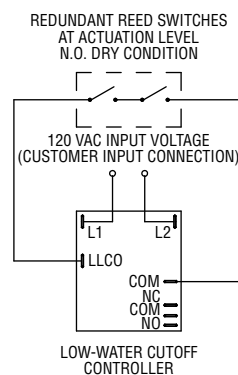
Wetted Materials	
Bottle Housing	Brass
Stem and Mounting	Brass
Float Assembly	316 Stainless Steel
O-Ring	Viton®
Retaining Ring	Beryllium Copper
Pressure Rating	150 PSI (1034 KPA)
Temperature Range	0°F to 305°F (-18°C to 151°C); 350°F (176°C) max. intermittent
Mounting Attitude	Vertical, J-Box Up
Controller	
Contacts	SPDT, Dry Contacts
Contact Ratings	10A @ 120/220/240 VAC Resistive (120°F/49°C) 1A @ 120, 208/240, 240 Resistive (150°F/66°C) 1/3 HP @ 120, 208/240, 240 VAC
Secondary Circuit	2.3 VAC RMS, <1 mA
Sensitivity	10K
Ambient Temperature	-40°F to +150°F (-40°C to +66°C)
Time Delay	0.5 Seconds on Rising Level
Approvals	UL Recognized per UL-353, Limit Controls (for supply voltages of 120 VAC or less)

How to Order

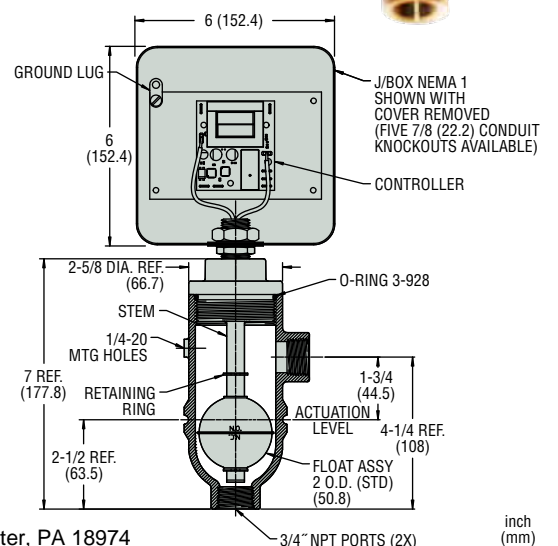
Specify Part Number based on configuration.

Description	Part Number
LWC-800 Integrated	243340
LWC-800 – 1-Foot Conduit	243345
LWC-800 – 2-Foot Conduit	243350

Switch Actuation



Dimensions



Order from: **C A Briggs Company**; 622 Mary Street; Suite 101 - Warminster, PA 18974
 Phone: 267-673-8117 - Fax: 267-673-8118; E-Mail: Sales@cabriggs.com - www.cabriggs.com