

Multi-Level Float Switches

Reliable Multi-Level Float Switch Assemblies for Industry & OEM's



Multi-Level Custom Float Switches

- Custom liquid level sensors & float switches manufactured in 72 hours
- The best combination of High Quality, Low Cost liquid level sensors
- Unwavering commitment to customer satisfaction



Multi-Level Float Switches

FPI Sensors offers a large selection of options for our single and multi-level custom float switch assemblies including mounting methods, float types, lead arrangements, connectors, housings, temperature sensors and many other special items.

FPI Sensors can **custom manufacturer units** to any length diameter and have the ability to include compression fittings so the overall length can be minimized for shipping. Additionally, units can be constructed so the overall length field is adjustable.

If you need something we do not offer in this literature or would like a custom unit built, please Contact **The LevelWorks® People at C A Briggs Company** via Phone, Fax or E-Mail. FPI Sensors is well known for being able to make any type of multi-level custom float switch assembly you are looking for!

Multi-Level Float Switch Assemblies

					
Single Float Page 2	Two Float Page 3	Three Float Page 4	Four Float Page 5	Five Float Page 6	Level / Temp Combo Switches Page 7

Order from: **C A Briggs Company**; 622 Mary Street; Suite 101 - Warminster, PA 18974
Phone: 267-673-8117 - Fax: 267-673-8118; E-Mail: Sales@cabriggs.com - www.cabriggs.com

FPI SENSORS INTERNATIONAL

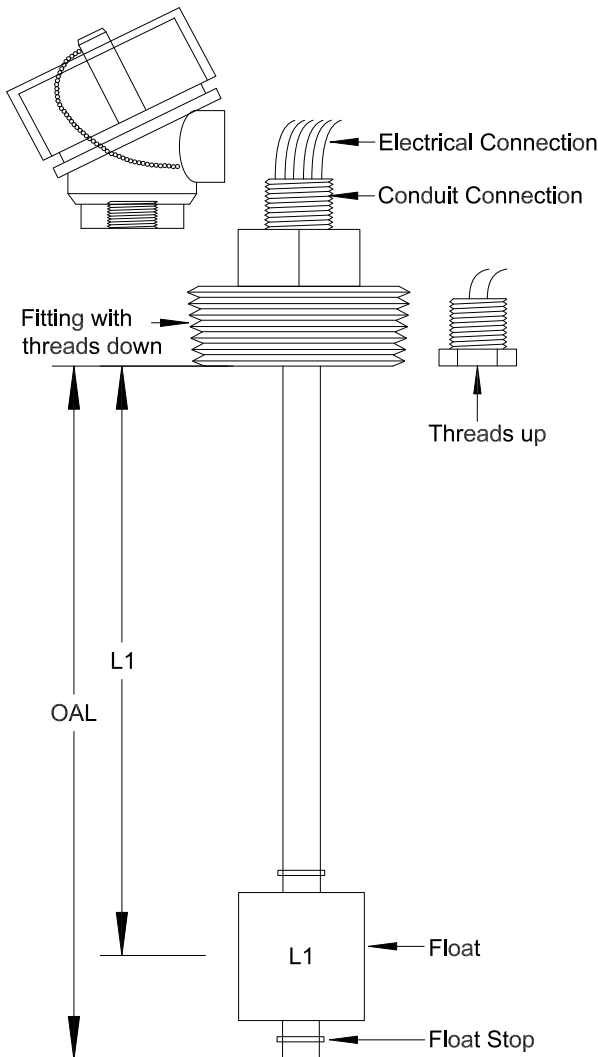
A H I G H E R L E V E L O F S A T I S F A C T I O N

Single Level Configurator – Build to Order

We excel in **LOW COST** » **HIGH QUALITY** » **72 HOUR MFG TIME**



MANY OTHER VARIATIONS AND OPTIONS ARE AVAILABLE



HOUSING:

- Nema 4X Explosion Proof
- Watertight
- NA

ELECTRICAL CONNECTION:

- Wire
- Cable
- Connector (specify) _____

CONDUIT CONNECTION:

- 1/2" NPT
- Other _____
- NA

FITTING AND STEM MATERIAL:

- SS
- Brass
- PVC
- Poly
- Teflon

FITTING SIZE (NPT):

- 1/4"
- 1/2"
- 3/4"
- 1"
- 1 1/4"
- 1 1/2"
- 2"
- Flange _____
- Other _____

THREAD ORIENTATION:

- Threads down (*threads from outside of the tank*)
- Threads up (*threads from inside of the tank*)

LEAD LENGTH: _____"

FLOAT STOPS:

- Retaining ring
- Set collar

FLOAT MATERIAL:

- SS
- Buna
- Poly
- Teflon
- PVC

SWITCH TYPE:

- SPST
- SPDT

SWITCH RATING:

- 10 watt (500ma)
- 50 watt (1 amp)
- 100 watt (3 amp)

ACTUATION:

L1 _____"

OPERATION:

- N.O.
- N.C.

SPECIFIC GRAVITY:

- .60sg
- .93sg

Minimum actuation is 1" Maximum actuation is 235"

OPTIONS:

- Shroud
- Field Adjustable Length
- Thermocouple _____
- Temp Switch
- Centering Disk
- Compression Union
- Thermistor _____
- N.O. or N.C. _____ °F set point

Order from: **C A Briggs Company**

622 Mary Street; Suite 101; Warminster, PA 18974

Phone: 267-673-8117 - Fax: 267-673-8118

Sales@cabriggs.com - www.cabriggs.com

FPI SENSORS INTERNATIONAL

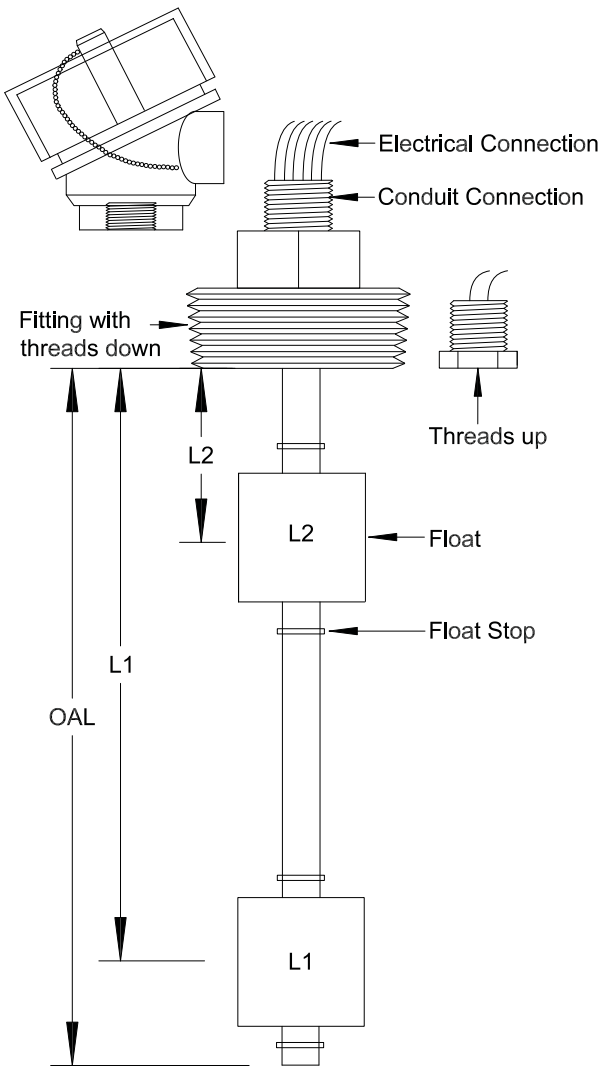
A H I G H E R L E V E L O F S A T I S F A C T I O N

Two Level Configurator – Build to Order

We excel in **LOW COST** » **HIGH QUALITY** » **72 HOUR MFG TIME**



MANY OTHER VARIATIONS AND OPTIONS ARE AVAILABLE



HOUSING:

- Nema 4X Explosion Proof
- Watertight
- NA

ELECTRICAL CONNECTION:

- Wire
- Cable
- Connector (specify) _____

CONDUIT CONNECTION:

- 1/2" NPT
- Other _____
- NA

FITTING AND STEM MATERIAL:

- SS
- Brass
- PVC
- Poly
- Teflon

FITTING SIZE (NPT):

- 1/4"
- 1/2"
- 3/4"
- 1"
- 1 1/4"
- 1 1/2"
- 2"
- Flange _____
- Other _____

THREAD ORIENTATION:

- Threads down (*threads from outside of the tank*)
- Threads up (*threads from inside of the tank*)

LEAD LENGTH: _____"

FLOAT STOPS:

- Retaining ring
- Set collar

FLOAT MATERIAL:

- SS
- Buna
- Poly
- Teflon
- PVC

SWITCH TYPE:

- SPST
- SPDT

SWITCH RATING:

- 10 watt (500ma)
- 50 watt (1 amp)
- 100 watt (3 amp)

ACTUATION:

- L2 _____"
- L1 _____"

OPERATION:

- N.O.
- N.C.
- N.O.
- N.C.

SPECIFIC GRAVITY:

- .60sg
- .93sg
- .60sg
- .93sg

Minimum actuation is 1" Maximum actuation is 235"

OPTIONS:

- Shroud
- Field Adjustable Length
- Thermocouple _____
- Temp Switch
- Centering Disk
- Compression Union
- Thermistor _____
- N.O. or N.C. _____ °F set point

Order from: **C A Briggs Company**

622 Mary Street; Suite 101; Warminster, PA 18974

Phone: 267-673-8117 - Fax: 267-673-8118

Sales@cabriggs.com - www.cabriggs.com

FPI SENSORS INTERNATIONAL

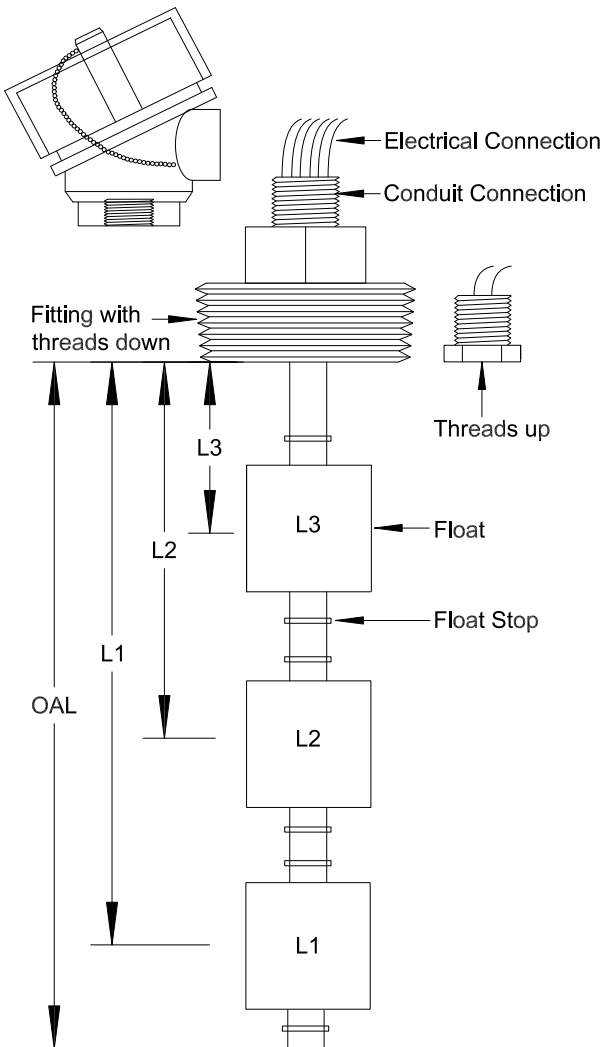
A H I G H E R L E V E L O F S A T I S F A C T I O N

Three Level Configurator – Build to Order

We excel in **LOW COST** » **HIGH QUALITY** » **72 HOUR MFG TIME**



MANY OTHER VARIATIONS AND OPTIONS ARE AVAILABLE



HOUSING:

- Nema 4X Explosion Proof
- Watertight
- NA

ELECTRICAL CONNECTION:

- Wire
- Cable
- Connector (specify) _____

CONDUIT CONNECTION:

- 1/2" NPT
- Other _____
- NA

FITTING AND STEM MATERIAL:

- SS
- Brass
- PVC
- Poly
- Teflon

FITTING SIZE (NPT):

- 1/4"
- 1/2"
- 3/4"
- 1"
- 1 1/4"
- 1 1/2"
- 2"
- Flange _____
- Other _____

THREAD ORIENTATION:

- Threads down (*threads from outside of the tank*)
- Threads up (*threads from inside of the tank*)

LEAD LENGTH: _____"

FLOAT STOPS:

- Retaining ring
- Set collar

FLOAT MATERIAL:

- SS
- Buna
- Poly
- Teflon
- PVC

SWITCH TYPE:

- SPST
- SPDT

SWITCH RATING:

- 10 watt (500ma)
- 50 watt (1 amp)
- 100 watt (3 amp)

ACTUATION:

- L3 _____"
- L2 _____"
- L1 _____"

OPERATION:

- N.O.
- N.C.
- N.O.
- N.C.
- N.O.
- N.C.

SPECIFIC GRAVITY:

- .60sg
- .93sg
- .60sg
- .93sg
- .60sg
- .93sg

Minimum actuation is 1" Maximum actuation is 235"

OPTIONS:

- Shroud
- Field Adjustable Length
- Thermocouple _____
- Temp Switch
- Centering Disk
- Compression Union
- Thermistor _____
- N.O. or N.C. _____ °F set point

Order from: **C A Briggs Company**

622 Mary Street; Suite 101; Warminster, PA 18974

Phone: 267-673-8117 - Fax: 267-673-8118

Sales@cabriggs.com - www.cabriggs.com

FPI SENSORS INTERNATIONAL

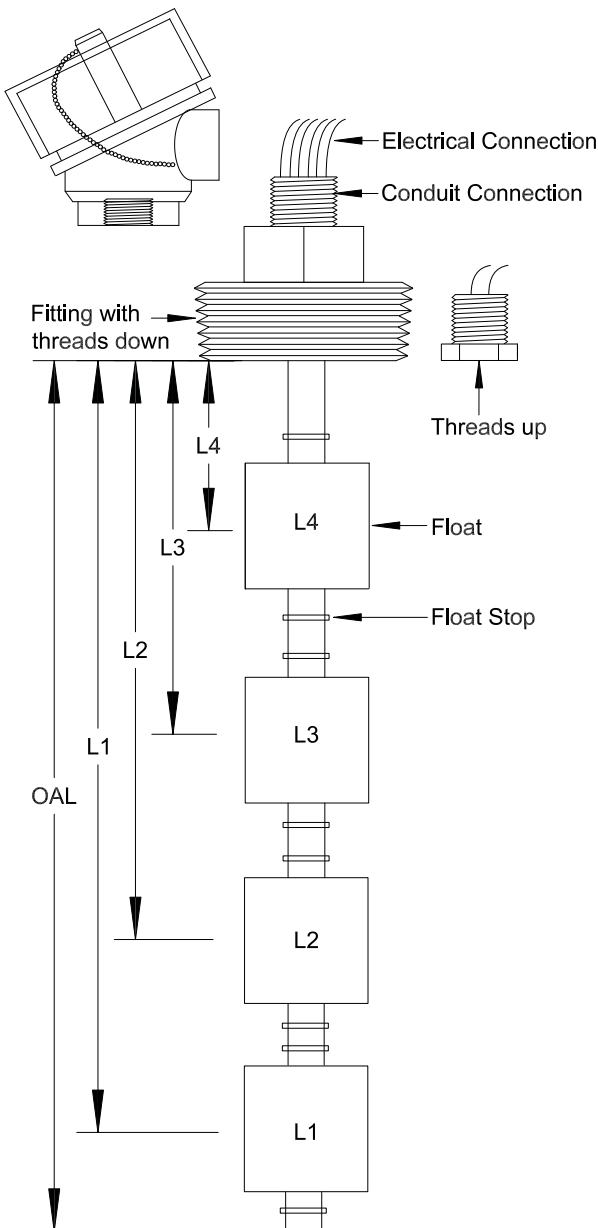
A H I G H E R L E V E L O F S A T I S F A C T I O N

Four Level Configurator – Build to Order

We excel in **LOW COST** » **HIGH QUALITY** » **72 HOUR MFG TIME**



MANY OTHER VARIATIONS AND OPTIONS ARE AVAILABLE



HOUSING:

- Nema 4X Explosion Proof Watertight NA

ELECTRICAL CONNECTION:

- Wire Cable Connector (specify) _____

CONDUIT CONNECTION:

- 1/2" NPT Other _____ NA

FITTING AND STEM MATERIAL:

- SS Brass PVC Poly Teflon

FITTING SIZE (NPT):

- 1/4" 1/2" 3/4" 1" 1 1/4" 1 1/2" 2"
 Flange _____ Other _____

THREAD ORIENTATION:

- Threads down (*threads from outside of the tank*)
 Threads up (*threads from inside of the tank*)

LEAD LENGTH: _____"

FLOAT STOPS:

- Retaining ring Set collar

FLOAT MATERIAL:

- SS Buna Poly Teflon PVC

SWITCH TYPE:

- SPST SPDT

SWITCH RATING:

- 10 watt (500ma) 50 watt (1 amp) 100 watt (3 amp)

ACTUATION:

- L4 _____"
 L3 _____"
 L2 _____"
 L1 _____"

OPERATION:

- N.O. N.C.
 N.O. N.C.
 N.O. N.C.
 N.O. N.C.

SPECIFIC GRAVITY:

- .60sg .93sg
 .60sg .93sg
 .60sg .93sg
 .60sg .93sg

Minimum actuation is 1" Maximum actuation is 235"

OPTIONS:

- Shroud Centering Disk
 Field Adjustable Length Compression Union
 Thermocouple _____ Thermistor _____
 Temp Switch N.O. or N.C. _____ °F set point

Order from: **C A Briggs Company**

622 Mary Street; Suite 101; Warminster, PA 18974

Phone: 267-673-8117 - Fax: 267-673-8118

Sales@cabriggs.com - www.cabriggs.com

FPI SENSORS INTERNATIONAL

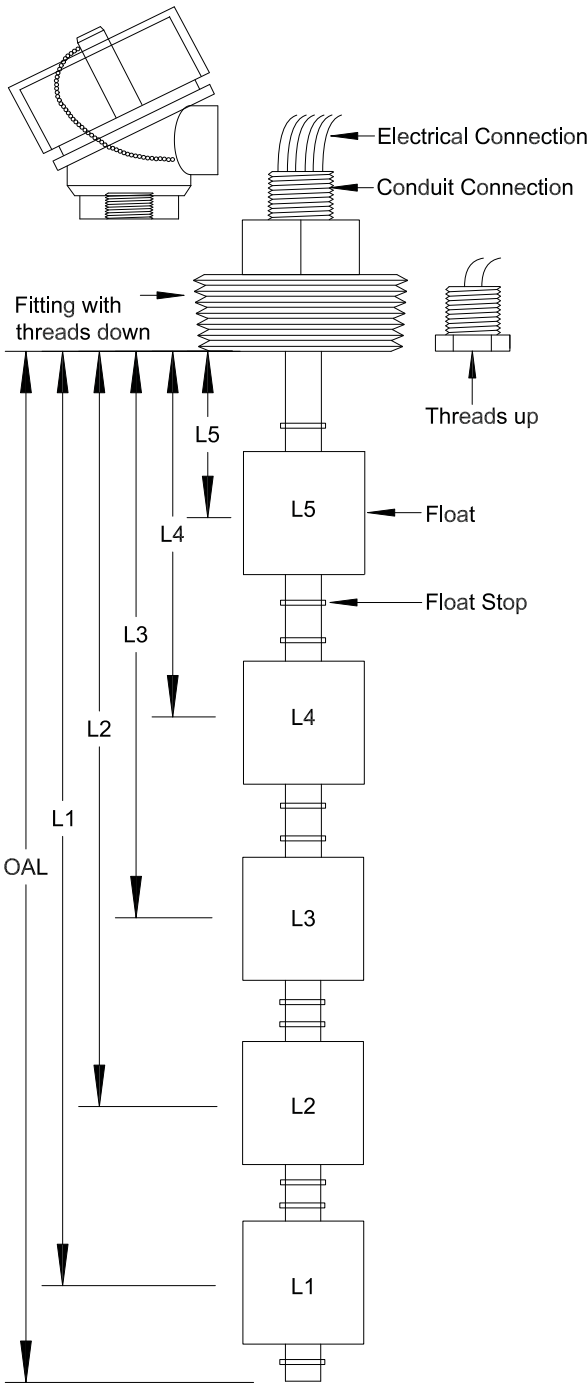
A H I G H E R L E V E L O F S A T I S F A C T I O N

Five Level Configurator – Build to Order

We excel in **LOW COST** » **HIGH QUALITY** » **72 HOUR MFG TIME**



MANY OTHER VARIATIONS AND OPTIONS ARE AVAILABLE



HOUSING:

- Nema 4X Explosion Proof
- Watertight
- NA

ELECTRICAL CONNECTION:

- Wire
- Cable
- Connector (specify) _____

CONDUIT CONNECTION:

- 1/2" NPT
- Other _____
- NA

FITTING AND STEM MATERIAL:

- SS
- Brass
- PVC
- Poly
- Teflon

FITTING SIZE (NPT):

- 1/4"
- 1/2"
- 3/4"
- 1"
- 1 1/4"
- 1 1/2"
- 2"
- Flange _____
- Other _____

THREAD ORIENTATION:

- Threads down (*threads from outside of the tank*)
- Threads up (*threads from inside of the tank*)

LEAD LENGTH: _____"

FLOAT STOPS:

- Retaining ring
- Set collar

FLOAT MATERIAL:

- SS
- Buna
- Poly
- Teflon
- PVC

SWITCH TYPE:

- SPST
- SPDT

SWITCH RATING:

- 10 watt (500ma)
- 50 watt (1 amp)
- 100 watt (3 amp)

ACTUATION:

- L5 _____"
- L4 _____"
- L3 _____"
- L2 _____"
- L1 _____"

OPERATION:

- N.O.
- N.C.
- N.O.
- N.C.
- N.O.
- N.C.
- N.O.
- N.C.
- N.O.
- N.C.

SPECIFIC GRAVITY:

- .60sg
- .93sg
- .60sg
- .93sg
- .60sg
- .93sg
- .60sg
- .93sg
- .60sg
- .93sg

Minimum actuation is 1" Maximum actuation is 235"

OPTIONS:

- Shroud
- Field Adjustable Length
- Thermocouple _____
- Temp Switch
- Centering Disk
- Compression Union
- Thermistor _____
- N.O. or N.C. _____ °F set point

Order from: **C A Briggs Company**

622 Mary Street; Suite 101; Warminster, PA 18974

Phone: 267-673-8117 - Fax: 267-673-8118

Sales@cabriggs.com - www.cabriggs.com

FPI SENSORS INTERNATIONAL

H I G H E R L E V E L O F S A T I S F A T I O N

Temperature and Level Sensor

We excel in **LOW COST** » **HIGH QUALITY** » **72 HOUR MFG TIME**



Combine Temperature and Level or Temperature only

TEMPERATURE SWITCH or SENSOR:

Temperature Switch

Switch Operation: Normally Closed (open above set point)

Normally Open (closed above set point)

Temperature Set Point _____ °F

Thermocouple

Thermistor

RTD

Other _____

Description/Calibration _____

TEMPERATURE SWITCH/SENSOR INTERNAL LOCATION:

End of stem (furthest from the fitting)

Inches from fitting _____

IF COMBINING LEVEL AND TEMPERATURE, SELECT THE APPROPRIATE FORM FROM THE PRODUCT PAGE, SINGLE/MULTI LEVEL CUSTOM CATEGORY. COMPLETE THE FORM AND SUBMIT WITH THE INFORMATION COMPLETED ABOVE.

IF TEMPERATURE SENSOR ONLY, PROCEED WITH BELOW.

FITTING MATERIAL:

Stainless Steel Brass PVC Polypropylene Teflon

FITTING SIZE (NPT):

1/4" 1/2" 3/4" 1" 1 1/4" 1 1/2" 2" Flange _____

Other _____

THREAD ORIENTATION:

Threads Up

Threads down

**Note: "Threads up" threads from inside of the tank and "threads down" thread from outside of the tank*

CONDUIT CONNECTION:

1/2" NPT N/A Other _____

ELECTRICAL CONNECTION OPTIONS:

Wire Cable Connector

LEAD LENGTH:

_____ Inches

HOUSING:

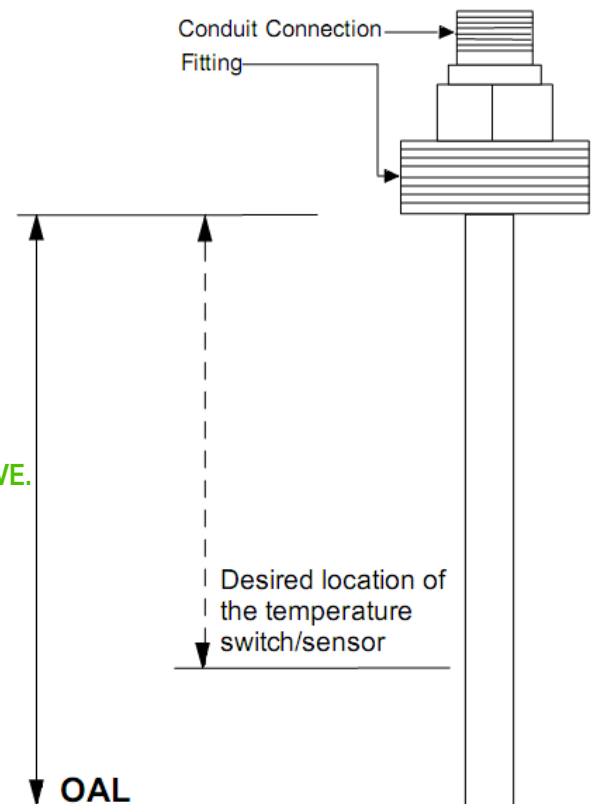
NA Watertight Nema 4 integrity Nema 7 integrity

WIRE CONNECTOR:

NA DIN/Hirschman Mini/Micro Other _____

STEM OPTIONS:

Field Adjustable Stem Length Compression Union



Order from: **C A Briggs Company**

622 Mary Street; Suite 101; Warminster, PA 18974

Phone: 267-673-8117 - Fax: 267-673-8118

Sales@cabriggs.com - www.cabriggs.com