



DIAPHRAGM SEAL

SERIES 1000

FEATURES:

The Blue Ribbon Series 1000 diaphragm seal is an economical isolation device used to protect pressure instrumentation from the media to be measured. Designed with a rugged, two-piece bolted construction for pressure ranges from 30"Hg vacuum to 2500 PSI, the Series 1000 provides exceptional protection in corrosive applications or where the pressure instrumentation process port alone may be prone to clogging.



Series 1000

SPECIFICATIONS:

Housing

- 316 Stainless Steel

Diaphragm

- 316 Stainless Steel

Construction

- Two-Piece Bolted

Gasket

- Buna-N (30 PSI to 2500 PSI)
- Viton (30"HgV to 30 PSI)

Connection

- Bottom: 1/4", 1/2", 3/4" and 1" NPT
- Top: 1/4" and 1/2" NPT

Process Temperature

- -22 °F to +212 °F (-30 °C to +100 °C)

OPTIONS:

- Flushing Port/Connection
- Viton and Teflon Gaskets
- Monel, Hastelloy-C Diaphragm

LOWER HOUSING

BR-D-1000	1/4" SS Lower
BR-D-1001	1/2" SS Lower
BR-D-1002	1/2" SS Lower with Flushing Port
BR-D-1003	3/4" SS Lower
BR-D-1004	3/4" SS Lower with Flushing Port
BR-D-1005	1" SS Lower
BR-D-1006	1" SS Lower with Flushing Port
BR-D-1007-V	1/4" Viton
BR-D-1008-V	1/2" Viton
BR-D-1009-V	3/4" Viton

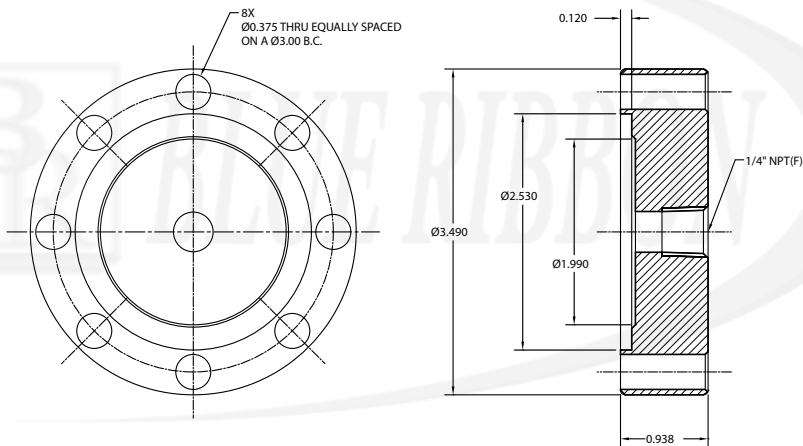
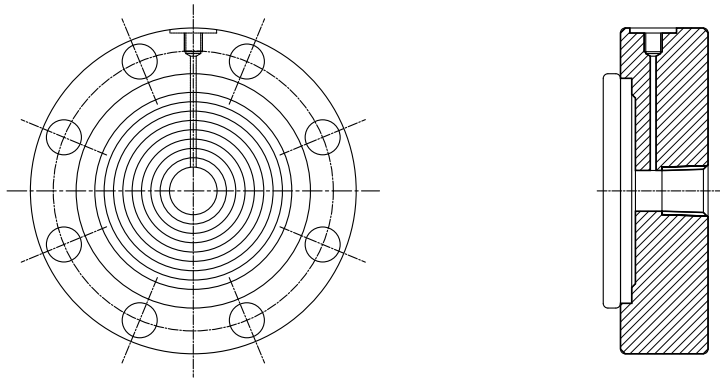
UPPER HOUSING

BR-D-2000	1/4" NPT SS 316 SS Diaphragm
BR-D-2001	1/4" NPT SS Monel Diaphragm
BR-D-2002	1/4" NPT SS Hastelloy-C Diaphragm
BR-D-2003	1/4" NPT SS Viton Diaphragm
BR-D-2004	1/2" NPT SS 316 SS Diaphragm
BR-D-2005	1/2" NPT SS Monel Diaphragm
BR-D-2006	1/2" NPT SS Hastelloy-C Diaphragm
BR-D-2007	1/2" NPT SS Viton Diaphragm

DIAPHRAGM SEAL

DIMENSIONAL DRAWING

All dimensions are in inches (mm)



BR-D-1000/BR-D-2000
3.5" DIA.
316SST

All specifications are for reference purposes only. In the interests of continuous product improvement, all specifications are subject to change without notice. Please contact Blue Ribbon Corporation for assistance with your application.





PVC DIAPHRAGM SEAL

SERIES 3000

FEATURES:

The Series 3000 from Blue Ribbon Corporation is a Teflon diaphragm seal or isolation device with PVC construction, used to provide economical protection of pressure sensing instrumentation from measured media. This Series is particularly useful for the economical protection of instrumentation from corrosion and clogging, and offers an option for application where some materials may be limited by corrosion.

SPECIFICATIONS:

- Housing: PVC
- Diaphragm: PTFE
- Operating Pressure: Vacuum to 200 PSI
- Instrument Connection: 1/4" NPT
- Process Connection: 1/4" and 1/2" NPT
- Process Temperature: +77 °F to +104 °F)



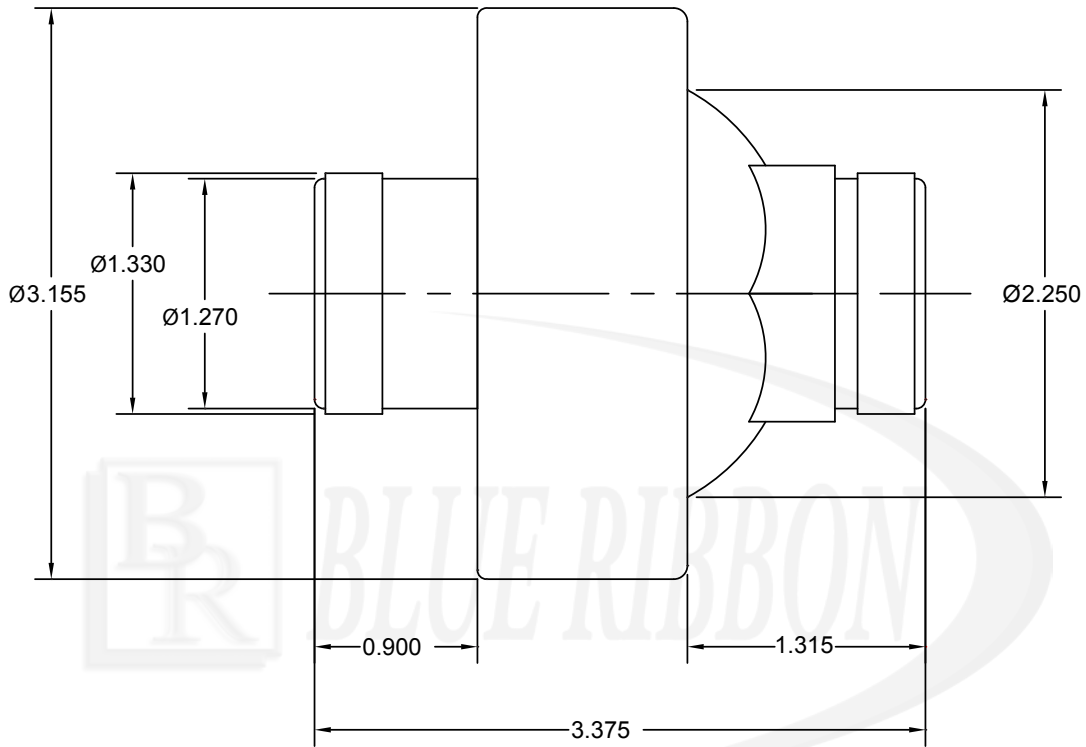
Series 3000

PVC Diaphragm Seal	
BR-D-3000	1/4" FNPT x 1/4" FNPT
BR-D-3001	1/4" FNPT x 1/2" FNPT

PVC DIAPHRAGM SEAL

DIMENSIONAL DRAWING

All dimensions are in inches (mm)



DIAPHRAGM SEAL PVC/PTFE 3000 SERIES

All specifications are for reference purposes only. In the interests of continuous product improvement, all specifications are subject to change without notice. Please contact Blue Ribbon Corporation for assistance with your application.

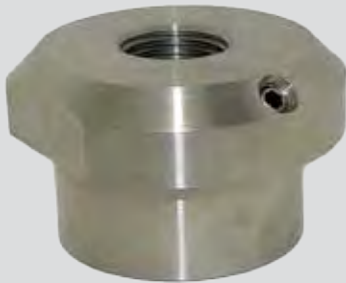


DIAPHRAGM SEAL

SERIES 4000

FEATURES:

The Series 4000 from Blue Ribbon Corporation are diaphragm seals or isolation devices used to provide economical protection of pressure sensing instrumentation from measured media. The Series is designed with a stainless steel diaphragm for small to medium instrumentation ranging from 30 to 2500 PSI. The Series 4000 provides ultimate protection for gauges and measuring instruments thru 4½" dial sizes in applications where space limitations are a concern.



Series 4000

TECHNICAL SPECIFICATIONS:

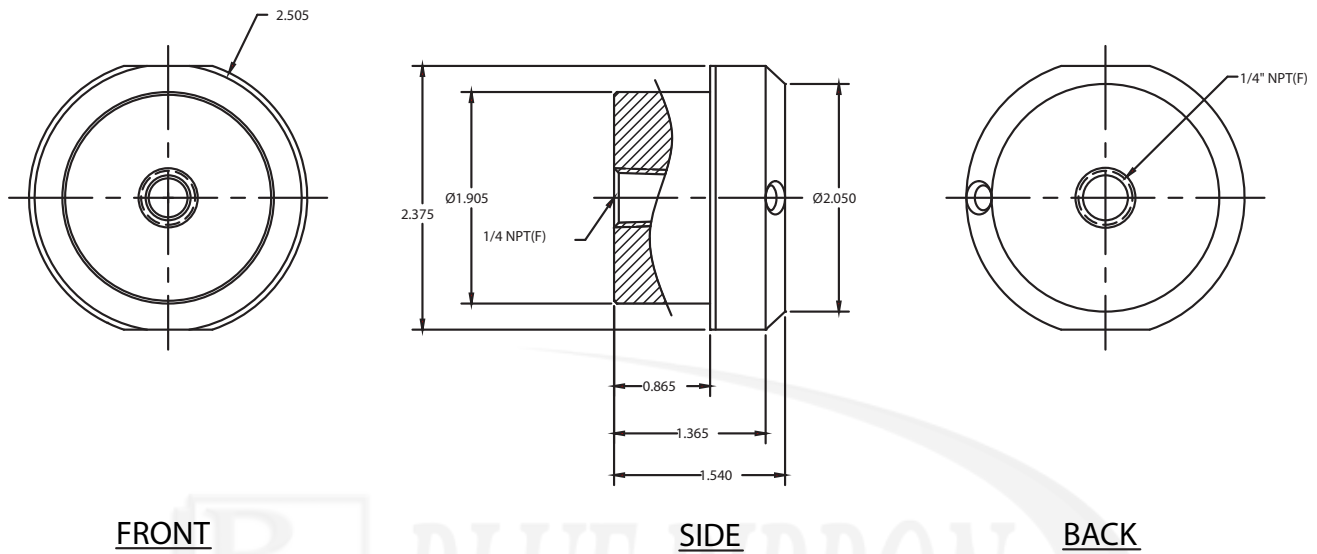
- **Housing:** 316 Stainless Steel
- **Diaphragm:** 316 Stainless Steel
- **Operating Pressure:** 30 to 2500 PSI
- **Instrument:** ¼" NPT
- **Process Connection:** ¼" NPT
- **Process Temperature:** -49 °F to +302 °F

Part #	Description
BR-D-4000	¼" NPT x ¼" NPT

DIAPHRAGM SEAL

DIMENSIONAL DRAWING

All dimensions are in inches (mm)



FRONT

SIDE

BACK

BR-D-4000
316SS
4000 SERIES

All specifications are for reference purposes only. In the interests of continuous product improvement, all specifications are subject to change without notice. Please contact Blue Ribbon Corporation for assistance with your application.



STAINLESS STEEL DIAPHRAGM SEAL

SERIES 5000

FEATURES:

The Series 5000 from Blue Ribbon Corporation are diaphragm seals or isolation devices used to provide economical protection of pressure sensing instrumentation from measured media. The Series is designed with a stainless steel diaphragm for small to medium instrumentation ranging from 30 to 2500 PSI. The Series 5000 provides ultimate protection for gauges and measuring instruments thru 4½" dial sizes in applications where space is at a premium.



Series 5000

TECHNICAL SPECIFICATIONS:

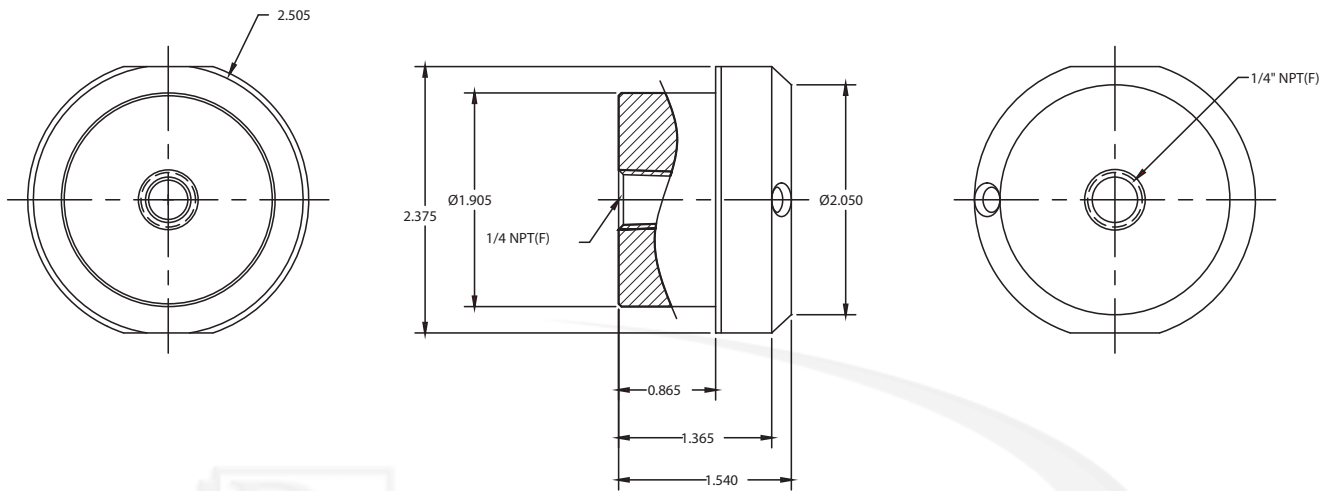
- **Housing:** 316 Stainless Steel
- **Diaphragm:** 316 Stainless Steel
- **Operating Pressure:** 30 to 2500 PSI
- **Instrument:** ¼" NPT
- **Process Connections:** ¼" and ½" NPT
- **Process Temperature:** -49 °F to +302 °F

Part #	Description
BR-D-5000	¼" NPT x ¼" NPT
BR-D-5001	¼" NPT x ½" NPT
BR-D-5002	½" NPT x ½" NPT

STAINLESS STEEL DIAPHRAGM SEAL

DIMENSIONAL DRAWING

All dimensions are in inches (mm)



FRONT

SIDE

BACK

DIAPHRAGM SEAL
316SS
5000 SERIES

All specifications are for reference purposes only. In the interests of continuous product improvement, all specifications are subject to change without notice. Please contact Blue Ribbon Corporation for assistance with your application.



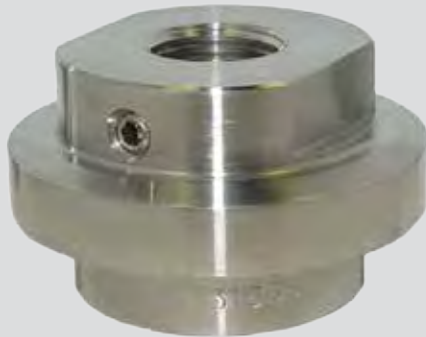


DIAPHRAGM SEAL

SERIES 6000

FEATURES:

The Series 6000 from Blue Ribbon Corporation is a lightweight, all-stainless steel, welded one-piece diaphragm seal or isolation device, used to provide economical protection of pressure sensing instrumentation from measured media. The Series is designed for small instrumentation ranging from vacuum to 2500 PSI. It also provides protection for gauges and measuring instruments in dial sizes ranging from 1 1/2" to 3 1/2", as well as in space-limited applications.



Series 6000

TECHNICAL SPECIFICATIONS:

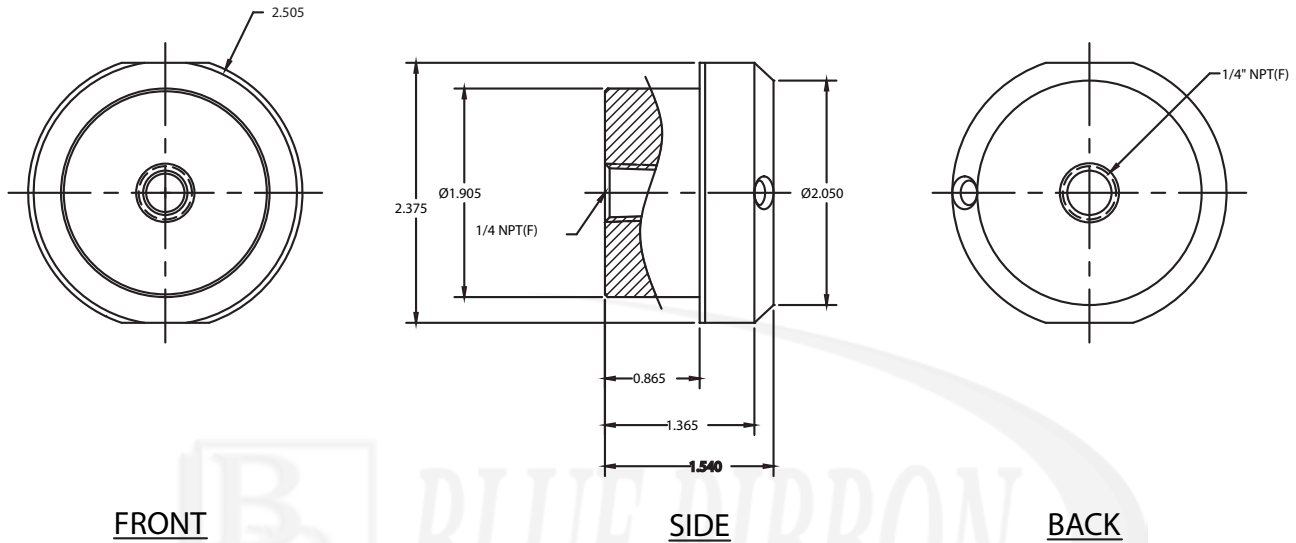
- **Housing:** 316 Stainless Steel
- **Diaphragm:** 316 Stainless Steel
- **Operating Pressure:** Vacuum to 2500 PSI
- **Instrument:** 1/4" NPTF
- **Process Connections:** 1/4" NPTF, 1/4" NPTM, 1/2" NPTF
- **Process Temperature:** -46 °F to +302 °F

Part #	Description
BR-D-6000	1/4" NPT x 1/4" NPT
BR-D-6001	1/4" NPTF x 1/2" NPTM
BR-D-6002	1/2" NPTF 1/2" NPTF

DIAPHRAGM SEAL

DIMENSIONAL DRAWING

All dimensions are in inches (mm)



BR-D-6000
316SS
6000 SERIES

All specifications are for reference purposes only. In the interests of continuous product improvement, all specifications are subject to change without notice. Please contact Blue Ribbon Corporation for assistance with your application.





WELDED FLANGED DIAPHRAGM SEAL



Series 7000

SPECIFICATIONS:

Housing

- 316 SS, Monel, Hastelloy C, Titanium, Tantalum, PVC, Carbon Steel and Teflon. Upper Housing 316 SS and Carbon Steel

Connection

- 1/4", 1/2" NPT Female connection standard
- 1", 1.5", 2" pipe size - 150# and 300# pressure rating standard

Process Temperature

- 450 °F (232 °C)
- 400 °F (204 °C) [Teflon lined]

Two-Piece Construction

FIELD OPTIONS:

- Various sizing and housing materials available

SERIES 7000

APPLICATIONS

- Oil Refineries
- Chemical Plants
- Industry

WELDED FLANGED UPPER SS

SIZE	PART#	INSTRUMENT	DIAPHRAGM	LOWER
1" - 150# RF	BR-D-7000	1/2" NPT	316 SS	316 SS
	BR-D-7001	1/2" NPT	Tantalum	316 SS
	BR-D-7002	1/2" NPT	Hastelloy C	Monel
	BR-D-7003	1/2" NPT	Hastelloy C	Hastelloy C
	BR-D-7004	1/4" NPT	316 SS	316 SS
	BR-D-7005	1/4" NPT	Tantalum	316 SS
	BR-D-7006	1/4" NPT	Hastelloy C	Monel
1" 300# RF	BR-D-7007	1/4" NPT	Hastelloy C	Hastelloy C
	BR-D-7008	1/2" NPT	316 SS	316 SS
	BR-D-7009	1/2" NPT	Tantalum	316 SS
	BR-D-7010	1/2" NPT	Hastelloy C	Monel
	BR-D-7011	1/2" NPT	Hastelloy C	Hastelloy C
	BR-D-7012	1/4" NPT	316 SS	316 SS
	BR-D-7013	1/4" NPT	Tantalum	316 SS
	BR-D-7014	1/4" NPT	Hastelloy C	Monel
	BR-D-7015	1/4" NPT	Hastelloy C	Hastelloy C
1.5" 150# RF	BR-D-7016	1/2" NPT	316 SS	316 SS
	BR-D-7017	1/2" NPT	Tantalum	316 SS
	BR-D-7018	1/2" NPT	Hastelloy C	Monel
	BR-D-7019	1/2" NPT	Hastelloy C	Hastelloy C
	BR-D-7020	1/4" NPT	316 SS	316 SS
	BR-D-7021	1/4" NPT	Tantalum	316 SS
	BR-D-7022	1/4" NPT	Hastelloy C	Monel
	BR-D-7023	1/4" NPT	Hastelloy C	Hastelloy C

WELDED FLANGED DIAPHRAGM SEAL

SERIES 7000

WELDED FLANGED UPPER SS				
SIZE	PART#	INSTRUMENT	DIAPHRAGM	LOWER
1.5" - 300# RF	BR-D-7024	½" NPT	316 SS	316 SS
	BR-D-7025	½" NPT	Tantulum	316 SS
	BR-D-7026	½" NPT	Hastelloy C	Monel
	BR-D-7027	½" NPT	Hastelloy C	Hastelloy C
	BR-D-7028	¼" NPT	316 SS	316 SS
	BR-D-7029	¼" NPT	Tantalum	316 SS
	BR-D-7030	¼" NPT	Hastelloy C	Monel
	BR-D-7031	¼" NPT	Hastelloy C	Hastelloy C
2" 150# RF	BR-D-7032	½" NPT	316 SS	316 SS
	BR-D-7033	½" NPT	Tantulum	316 SS
	BR-D-7034	½" NPT	Hastelloy C	Monel
	BR-D-7035	½" NPT	Hastelloy C	Hastelloy C
	BR-D-7036	¼" NPT	316 SS	316 SS
	BR-D-7037	¼" NPT	Tantulum	316 SS
	BR-D-7038	¼" NPT	Hastelloy C	Monel
	BR-D-7039	¼" NPT	Hastelloy C	Hastelloy C
2" 300# RF	BR-D-7040	½" NPT	316 SS	316 SS
	BR-D-7041	½" NPT	Tantulum	316 SS
	BR-D-7042	½" NPT	Hastelloy C	Monel
	BR-D-7043	½" NPT	Hastelloy C	Hastelloy C
	BR-D-7044	¼" NPT	316 SS	316 SS
	BR-D-7045	¼" NPT	Tantulum	316 SS
	BR-D-7046	¼" NPT	Hastelloy C	Monel
	BR-D-7047	¼" NPT	Hastelloy C	Hastelloy C

All specifications are for reference purposes only. In the interests of continuous product improvement, all specifications are subject to change without notice. Please contact Blue Ribbon Corporation for assistance with your application.

