



FLUSH DIAPHRAGM OEM PRESSURE TRANSDUCER

MODEL BR1002 / 1003-IA



Model BR1002 / 1003-IA
Flush Diaphragm OEM Pressure Transducer

FEATURES:

- G1/2" flush diaphragm pressure port
- 0.25% FSO accuracy
- Compact 1.25" diameter
- Rugged, all welded construction
- IP65 rated housing
- Low Cost, High Reliability
- Compatible with wide range of fluids

APPLICATIONS:

- Automotive test
- Dynamometers
- On-board vehicle
- Boiler Controls
- Pneumatic/ Hydraulic Controls
- Pump Controls

PRODUCT OVERVIEW:

The Model 1002/1003-IA from Blue Ribbon is an industrial grade OEM pressure transducer featuring a G 1/2" flush corrosion-resistant pressure port designed for high viscous fluids that can plug a standard recessed process port. Available with choice of 4-20 mA, 0 to 5 Vdc, 1 to 5 Vdc, or 0-10 Vdc output, as well as various electrical connections.

FIELD OPTIONS:

- Flanged process mounting
- Select electrical connections
- Hastelloy C275 wetted parts

BR5SL-TX-012
REV-A

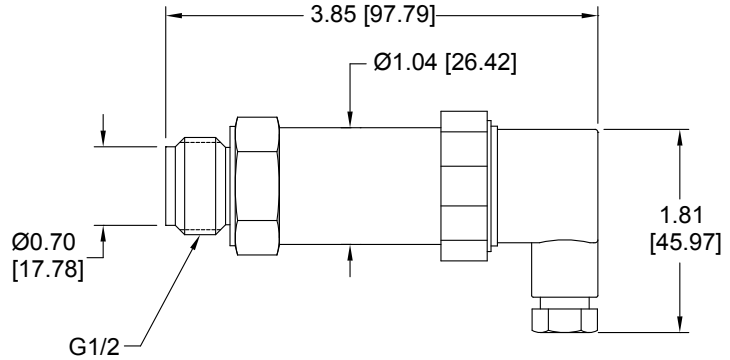
FLUSH DIAPHRAGM OEM PRESSURE TRANSDUCER

DIMENSIONAL DRAWING

All dimensions are in inches (mm)

STANDARD WIRING

WIRE	MODEL 1002-IA	MODEL 1003-IA
1/WHT	+SIG	N/C
2/BLK	-EXC/SIG	-EXC/SIG
3/RED	+EXC	+EXC/SIG
4/SHIELD	N/C	N/C



REFERENCE SPECIFICATIONS

ELECTRICAL	MECHANICAL
<ul style="list-style-type: none"> • Supply Voltage: 12-32 Vdc • Output Signal: 1002: 0-5Vdc, 1-5Vdc, 0-10 Vdc optional 1003: 4-20 mA • Output Impedance: 5k ohms • Response Time: <5 ms 	<ul style="list-style-type: none"> • Process Connection: G1/2 standard (other options available) • Proof Pressure: 2 X FSO • Burst Pressure: 5 X FSO • Weight: < 4 oz (113 g)
STATIC ACCURACY (BFSL) (HYSTERESIS, NON-LINEARITY & REPEATABILITY @ +70 °F)	PRESSURE RANGES
<ul style="list-style-type: none"> • Standard: ±0.25 % FSO • Zero Balance: ±1.0 % FSO • Span: ±2.0 % FSO 	<ul style="list-style-type: none"> • 0-2 to 0-3000 PSI, gauge, sealed gauge, and absolute pressure reference available
MATERIALS OF CONSTRUCTION	THERMAL SPECIFICATIONS
<ul style="list-style-type: none"> • Wetted Parts: 316 stainless steel and 17-4 stainless steel • Housing: 316L stainless steel 	<ul style="list-style-type: none"> • Compensated: 32° F to 158° F (0- 70 C) • Operating Temperature: -40° F to 185° F (-40 – 85 C) • Storage: -40° F to 250° F (-40 – 125 C) • Effect on Zero/Span: ± 1.5% FSO/100°F

All specifications are for reference purposes only. In the interests of continuous product improvement, all specifications are subject to change without notice. Please contact Blue Ribbon Corporation for assistance with your application.