



BINDICATOR

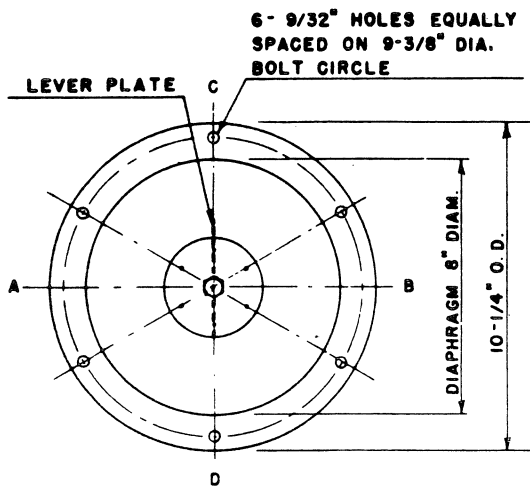
150 Venture Boulevard, Spartanburg, SC 29306

Phone: (864) 574-8060, Fax: (864) 574-8063, Customer Service: (800) 778-9242

Internet: <http://www.bindicator.com>, email: sales@bindicator.com

MODEL "A" BIN-DICATOR with Mercury Switch

Diaphragm Point Level Controls for use with dry materials at atmospheric pressures



LOCATION The Bin-Dicator® control must be located at a point where the material in its normal flow will reach and move the diaphragm; and when receding, will completely clear the diaphragm.

MOUNTING INSTRUCTIONS 1. Lay out two concentric circles on bin wall at point where the Bin-Dicator® control is to be mounted; one circle to be 8" diameter; one circle to be 9 3/8" diameter.

2. Cut out 8" diameter circle, and remove rough edges to avoid cutting the diaphragm.

3. Lay out six equally-spaced holes on 9 3/8" diameter bolt circle. Drill or tap for 1/4" diameter bolts or cap screws.

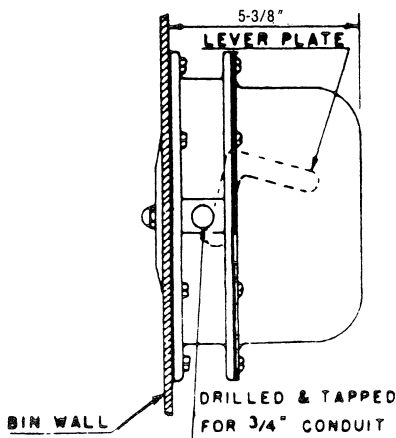
IMPORTANT: For all angles of mounting line C-D must be in a vertical plane. Line A-B must always be horizontal.

4. Insert gasket between bin wall and flange of unit; and fasten Bin-Dicator® control to wall with 1/4" diameter bolts or cap screws.

5. Check operation of the lever system and switch; make field adjustments as outlined on the back of this sheet.

6. Connect conduit and make wiring connections.

7. Fasten cover on unit, inserting gasket between frame and cover.



YOUR ORDER

CERTIFIED FOR OUR ORDER

PER

IMPORTANT INSTRUCTIONS — READ BEFORE INSTALLING

BIN-DICATOR® CONTROL EQUIPPED WITH MERCURY SWITCH

SWITCH Single-pole, single-throw mercury switch. AC rating is 20 amps at 110 volts; 16 amps at 220 volts; 10 amps at 440 volts. DC ratings 50% of the above. Lamp load 1600 watts. Motor Rating: 3/4 H.P. for all AC 60-cycle type motors 125 V-440 V.

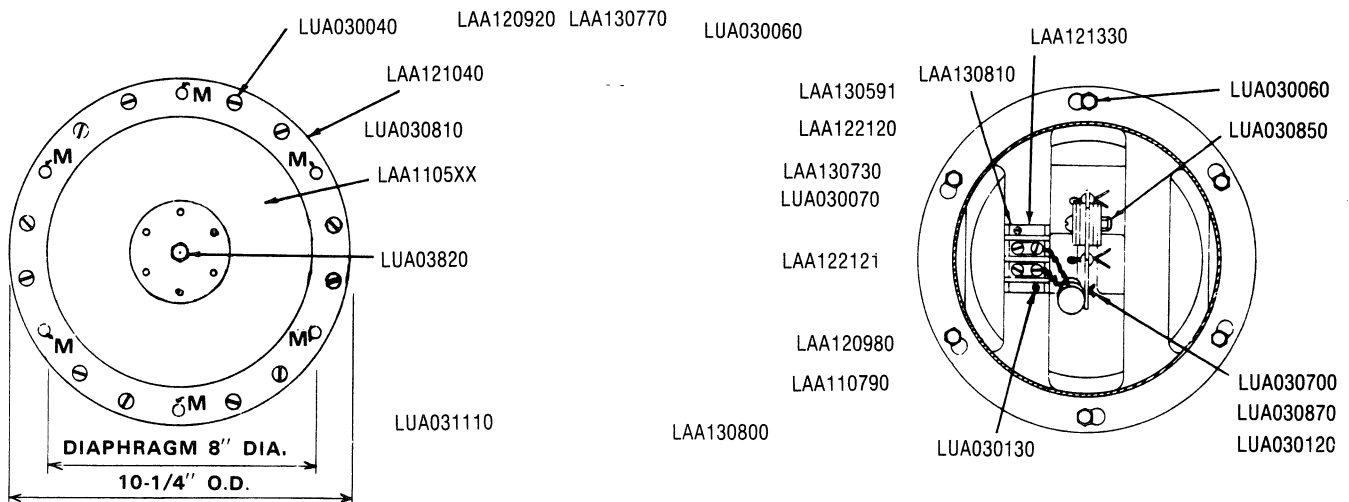
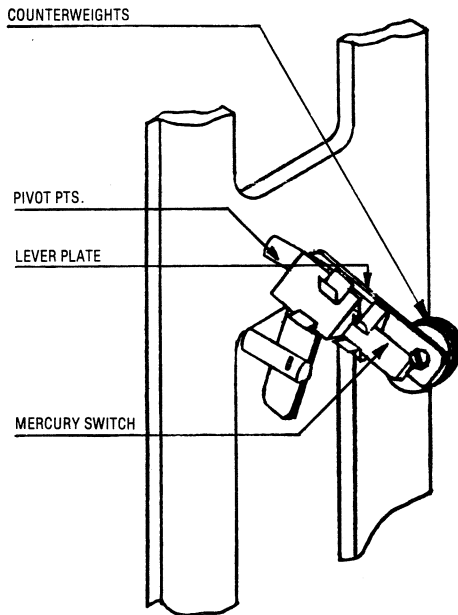
FIELD ADJUSTMENT Each Bin-Dicator® control furnished on your order has been designed and adjusted at the factory for the application specified in your order. However, it is advisable to check the following in order to insure reliable operation of the control.

1. Check for binding at the pivot points (shown on the drawing at the left). If binding is occurring, it is probably due to improper mounting of the unit. Check to be sure that the lever plate is in a vertical plane and that the mechanism operates freely.
2. Check switch sensitivity. The switch can be adjusted for more sensitive operation by loosening the wing nut holding the switch clip in place and rotating the switch slightly to the desired sensitivity. When making this adjustment be sure the switch returns to normal when the lever plate is slowly lowered by hand.

ALTERNATE MOUNTING If the Bin-Dicator® control is to be used for an application where the conditions vary from those specified in your order, the following adjustments should be made:

1. The switch must be rotated so the tube is horizontal, regardless of the angle of mounting of the unit. Check switch sensitivity in accordance with Paragraph 2 above.
2. If the unit is mounted on the underslope, additional counterweight is usually required to return the diaphragm to normal. If the unit is mounted on the upperslope, some of the counterweight may be removed to provide sensitive operation.

If unusual conditions exist and if you are doubtful as to whether the Bin-Dicator® control can be adapted to these conditions, communicate with the manufacturer before making the installation.



PART NO.	NO. REQ'D.	DESCRIPTION	PART NO.	NO. REQ'D.	DESCRIPTION
LAA1105XX	1	DIAPHRAGM - MUST BE SPECIFIED	LAA130770	2	GASKET - FIBER 444
LAA120920	1	FRAME	LAA110790	1	MERCURY SWITCH
LAA121040	1	WASHER - 12 GA. STEEL PAINTED	LUA030060	6	1/4" -20 x 3/8" HEX. HD. MACH. SCREW-PLATED
LAA121330	1	TERMINAL BARRIER	LUA030070	1	12-24 x 1" RD. HD. MACH. SCREW-PLATED
LAA130800	1	SWITCH CLIP	LUA030130	2	8-32 x 5/8" R.H. MACH. SCREW
LAA130810	1	TERMINAL BLOCK	LUA030120	1	6-32 x 5/16" TRUSS HD. MACH. SCREW
LAA122120	1	PIVOT ROD	LUA030810	1	5/16" -18 HEAVY HEX. JAM NUT
LAA122121	1	PUSH ROD	LUA030820	1	5/16" -18 HEX. BR. CAP NUT
LAA130591	1	COVER	LUA030850	1	12-24 HEX. STEEL STOP NUT-PLATED
LAA130730	1 SET	VARIABLE COUNTERWEIGHT	LUA030870	1	6-32 WING NUT
LUA030700	1	LOCKWASHER	LUA031110	2	3/32"x 1" SPRING BR. COTTER PIN
LAA120980	1	LEVER PLATE	LUA030040	12	10-24 x 3/8" F.H. STEEL MACH. SCREW-PLATED

NOTE:
HOLES MARKED "M" 9/32" DIA—
METER 6 MOUNTING HOLES EQUAL-
LY SPACED ON 9-3/8" DIAM. BOLT
CIRCLE.