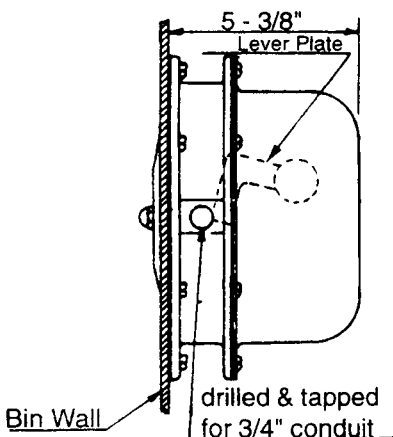
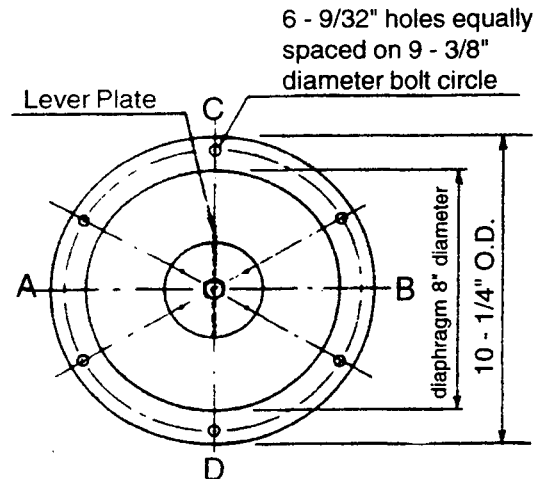


Model "A" BIN-DICATOR®

with General Purpose Micro Switch

Diaphragm Point Level Controls for use with dry materials at atmospheric pressures



SWITCH:

Single-pole, double throw Micro-Switch

AC rating is:

15 amps

at 125 volts, 250 volts, and 480 volts.

DC rating is:

1/2 amp

at 125 volts,

1/4 amp

at 250 volts.

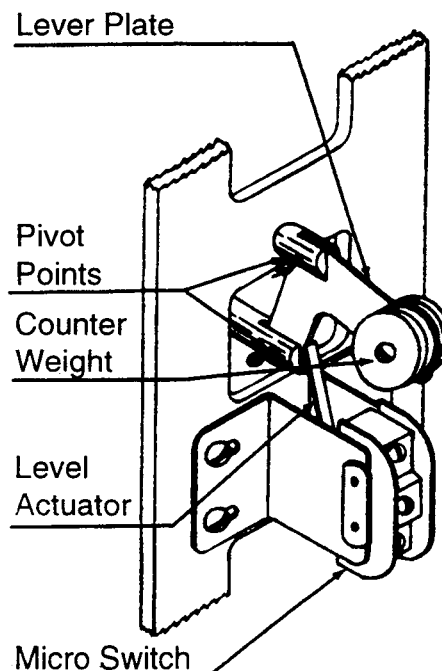
LOCATION: The Bin-Dicator® control must be located at a point where the material will reach and depress the diaphragm; and when the material is receding, it will completely clear the diaphragm allowing it to return to its normal state.

MOUNTING INSTRUCTIONS:

1. Lay out two concentric circles on the bin wall at the point where the Bin-Dicator® control is to be mounted; one circle to be a 8" diameter; the other circle to be a 9-3/8" diameter for the bolt circle.
2. Cut out the 8" diameter circle, and remove all the rough edges to avoid cutting the diaphragm.
3. Lay out six equally spaced holes on the 9-3/8" diameter bolt circle. Drill or tap for 1/4" bolts or cap screws.

IMPORTANT: For all angles of mounting line C-D must be in a vertical plane. Line A-B must always be in a horizontal plane.

4. Insert gasket between bin wall and flange of unit; and fasten Bin-Dicator® control to bin wall with 1/4" diameter bolts or cap screws.
5. Check operation of the level system and switch; make field adjustments as outlined on the reverse side of this sheet.
6. Connect conduit and make wiring connections.
7. Fasten cover on unit, inserting gasket between frame and cover.



IMPORTANT INSTRUCTIONS - READ CAREFULLY BEFORE INSTALLING

BIN-DICATOR® CONTROL EQUIPPED WITH GENERAL PURPOSE MICRO SWITCH

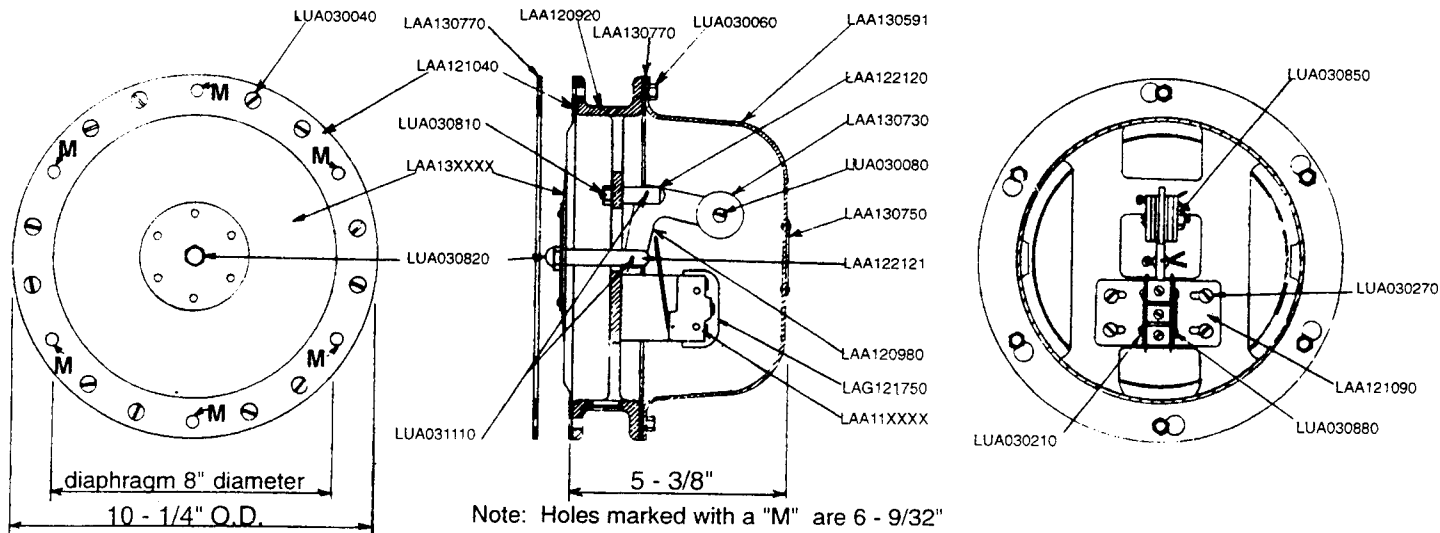
FIELD ADJUSTMENT: Each Bin-Dicator® control furnished on your order has been designed and adjusted at the factory. However, it is advisable to check the following in order to insure reliable operation of the control.

1. Check for binding at the pivot points (shown on the switch drawing on the front page). If binding is occurring it is probably due to improper mounting of the unit. Check to see that the lever plate is in a vertical plane and that the mechanism operates freely.
2. Check switch sensitivity. The soft steel lever plate actuator may be bent slightly to adjust the switch to the desired sensitivity. When making this adjustment be sure the switch will return to normal when the lever plate is slowly lowered by hand.

ALTERNATE MOUNTING: If the Bin-Dicator® control is to be used for an application where the conditions vary from those specified on your order, the following adjustments should be made.

1. If the material is of lighter density or if the unit is to be mounted on the upperslope, the counterweight must be reduced to provide sensitive operation of the control.
2. If the material is of heavier density or if the unit is mounted on the underslope, the counterweight must be increased to return the diaphragm to normal as the material clears the diaphragm.

NOTE: If unusual conditions exist and if you are doubtful as to whether the Bin-Dicator® level control can be adapted to your conditions, please contact your local distributor or the factory.



Note: Holes marked with a "M" are 6 - 9/32" diameter mounting holes equally spaced on 9-3/8" diameter bolt circle

PARTS LIST

Part No.	Description	No Req'd	Part No.	Description	No Req'd
LAA11XXXX	Diaphragm Assembly - Please Specify	1	LAA130770	Gasket - Fiber #444	2
LAA120920	Frame	1	LAA13XXXX	Micro Switch - Please Specify	1
LAA120980	Lever Plate	1	LUA030040	10-24 X 3/8" F.H. Mach. Screw-Plated	12
LAA121040	Washer - 12 GA. Steel Painted	1	LUA030060	1/4" - 20 X 3/8" Hex Hd. Mach. Screw-Plated	6
LAA121090	Switch Bracket - Aluminum Casting	2	LUA030080	12 -24 X 1" Rd. Hd. Mach Screw - Plated	1
LAG121750	Switch Barrier	2	LUA030270	8 - 32 X 1/4" Sl. Truss Hd. Screw	4
LAA122120	Pivot Rod	1	LUA030210	6 - 32 X 1" R.H. Steel Mach. Screw - Plated	2
LAA122121	Push Rod	1	LUA030810	5/16" - 18 Heavy Hex. Jam Nut	1
LAA130591	Cover - ABS Plastic	1	LUA030820	5/16" - 18 Hex. Br. Cap Nut	1
LAA130730	Variable Counterweight	1 set	LUA030850	12 - 24 Hex. Stop Nut - Plated	1
LAA130750	Nameplate	1	LUA030880	6 - 32 Double Nut - Plated	1
			LUA031110	3/32" X 1" Spring Br. Cotter Pin	2



150 Venture Boulevard, Spartanburg, SC 29306
Phone: (864) 574-8960. **Fax:** (864) 578-7308
Customer Service: (800) 778-9242
Internet: <http://www.bindicator.com>
email: sales@bindicator.com