

LEVELITE SPECIFICATION SHEET

INTEGRAL TEFLON CONTROLLER PROBE

MODELS: GLL 100240 (5VDC) or GLL 100250 (12-32VDC)

PRODUCT HIGHLIGHTS

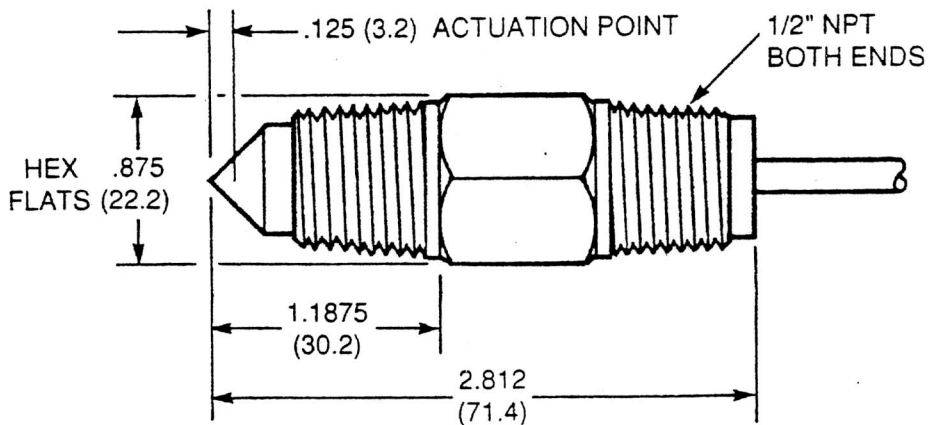
- Point Level Sensor, Leak Detector, Pump Protector
- Interfaces With Computer/PLC
- Self Contained Stand Alone Unit
- Extendible Insertion Lengths
- Surface Mount Electronics
- For Corrosives and High Purity Liquids

DESCRIPTION

Both models contain all of the necessary electronics internally, allowing them to be used without a separate controller. The GLL 100240 is 5.0 VDC TTL compatible and the GLL 100250 operates from 12-32 VDC. By combining circuit board electronics with photodetector sensing abilities this probe can perform control or output functions. Signal processing takes place inside the probe and an output change indicates an alarm when the probe tip is wet.

SPECIFICATIONS

Overall Length: 2.8" (71.4 mm.)
Weight: 8.3 oz. (235g)
Material: PFA Teflon
Process Connection: 1/2" NPT
Conduit Connection: 1/2" NPT
Cable Type/Length: Belden 8443/ 25 Ft. (7.62m) Standard
Operating Temp: -20° F to +175° F (-29° C to 80° C)
Maximum Operating Pressure: 100 PSI (7 kg/cm²)
Repeatability: ± 0.020" (0.5mm) in water
Supply Voltage: GLL 100240, 5VDC; GLL 100250, 12-32 VDC
Output: GLL 100240, 5VDC/wet, sourcing and sinking; GLL 100250, supply minus 1.5 VDC/wet, sourcing
Sensor Operation: Optical refraction, modulated infrared with 6800 A chromatic filter.
For installation & wiring see GLL 180026



Order from: **C A Briggs Company**

622 Mary Street; Suite 101; Warminster, PA 18974

Phone: 267-673-8117 - Fax: 267-673-8118

Sales@cabriggs.com - www.cabriggs.com

Venture Measurement
150 Venture Boulevard • Spartanburg, SC 29306

Toll Free: (800) 778-9242

Phone: (864) 574-8060 • **Fax:** (864) 574-8063