

SPECIFICATIONS

FUNCTIONAL

Operating Power	120 VAC, 240 VAC
Power Consumption	8 Watts
Operating Temperature	-40° to 160° F (-40° to 71° C)

PERFORMANCE

Hysteresis	2.5% of span min, 100% max
Analog Output	4-20mA into 400 Ohms max
Relay Output	SPDT, 3 amps @ 120 VAC
Accuracy	1% FS with Constant Dielectric
Calibration	Analog: course and fine zero/ span, non-interacting relays: hi, low setpoints and hysteresis set as % of span

PHYSICAL

Enclosure	NEMA 4X or NEMA 7/9 aluminum with corrosion resistant polyester coating
Length	As specified for Types A, B, M, N, P, Q: 167" (4157 mm), Types D, E, H, I: 1200" (36000 mm)

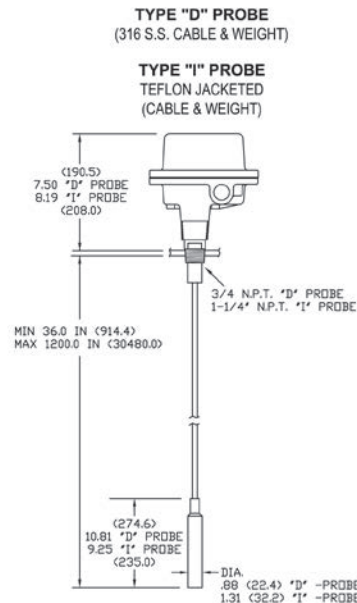
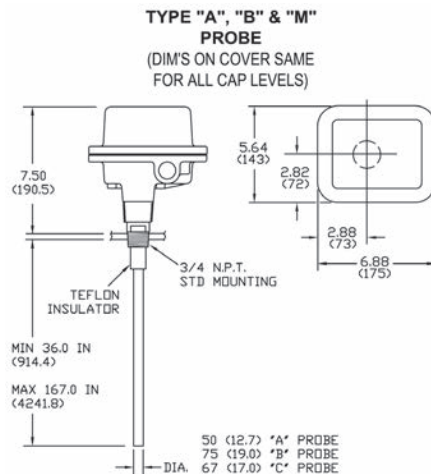
APPROVALS

General Purpose: CSA; Type 4
Hazardous Location: CSA; Class I, Groups C and D

PROBE APPLICATION

Probe Type	Mount Standard	Material	Pressure (Max)	Temp. (Max)
A	3/4" NPT	316 SS**	50 PSI (3.51 kg/cm ²)	250° F (121° C)
B	3/4" NPT	Teflon®/SS	50 PSI (3.51 kg/cm ²)	250° F (121° C)
D	1 1/4" NPT	316 SS**	Atmospheric	250° F (121° C)
E	1 1/4" NPT	316 SS**	Atmospheric	250° F (121° C)
H	1 1/4" NPT	Teflon®/SS	Atmospheric	250° F (121° C)
I	1 1/4" NPT	Teflon®/SS	50 PSI (3.51 kg/cm ²)	250° F (121° C)
M	3/4" NPT	PVC/SS	50 PSI (3.51 kg/cm ²)	140° F (60° C)
N	1" Sanitary	Teflon®/SS	50 PSI (3.51 kg/cm ²)	250° F (121° C)
P	1" Sanitary	316 SS**	50 PSI (3.51 kg/cm ²)	250° F (121° C)
Q	2" Sanitary	Teflon®/SS	50 PSI (3.51 kg/cm ²)	250° F (121° C)

** Probe types A, D, E - non-conductive media only. Consult factory when mounting in fiberglass or lined vessels. Teflon® is a registered trademark of E.I. Du Pont, 2006. All rights reserved.



Order from: **C A Briggs Company**
622 Mary Street; Suite 101; Warminster, PA 18974
Phone: 267-673-8117 - Fax: 267-673-8118
Sales@cabriggs.com - www.cabriggs.com

venture
MEASUREMENT

SCL 280000 Rev. E
2012 All rights reserved.
All data subject to change without notice.