

Level Measurement Sensors Mounting Peripherals



Order from: **C A Briggs Company** - 632 Davisville Road - Willow Gove, PA 19090
 Phone: 215-784-9250 - Fax: 215-784-0611 - E-Mail: Sales@cabriggs.com - www.cabriggs.com



Flange Mounted Ball Aimer



1" - 3/4" & 1" - 1/2" NPT
Mounting Adaptor



PVC Thread on Flanges

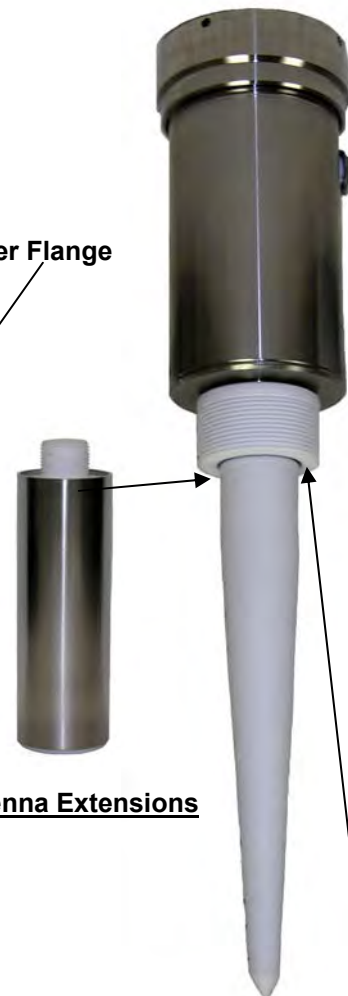
Ultrasonic Sensors - Refer to page 2 for Dimensional info.



S.S. Flanges & S.S. Horns



Customer Flange



Antenna Extensions

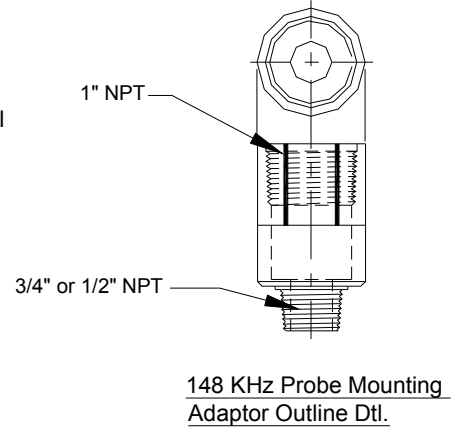
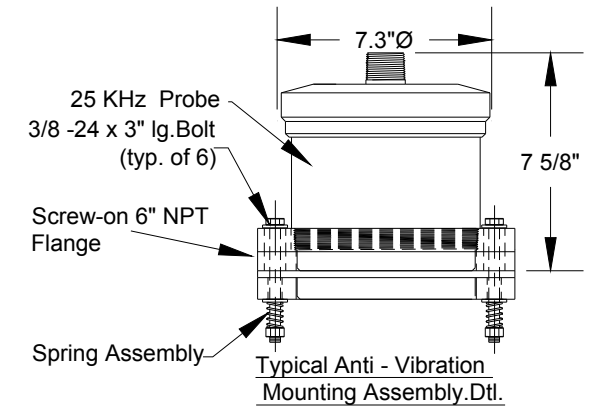
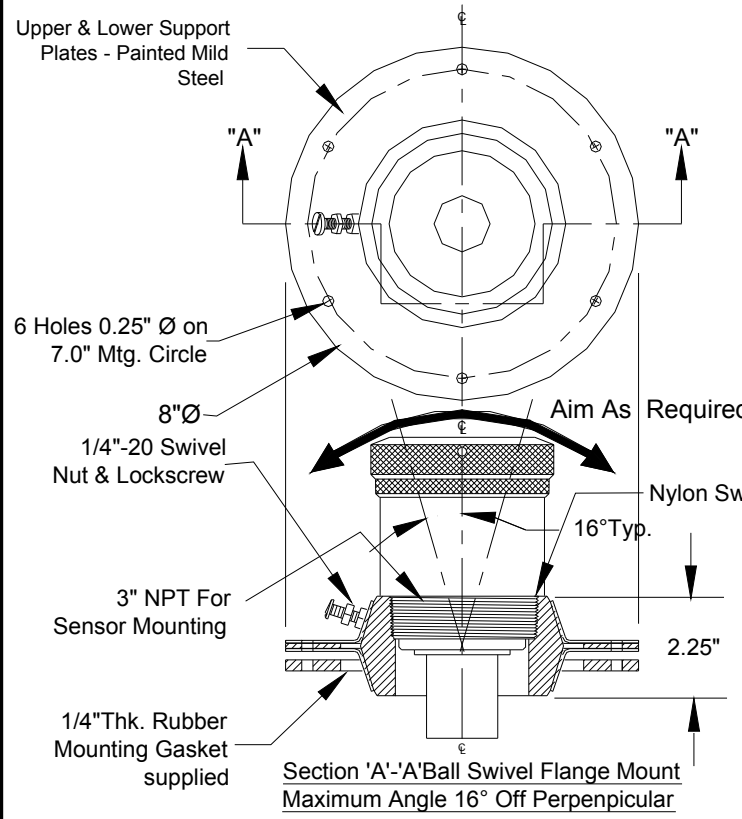
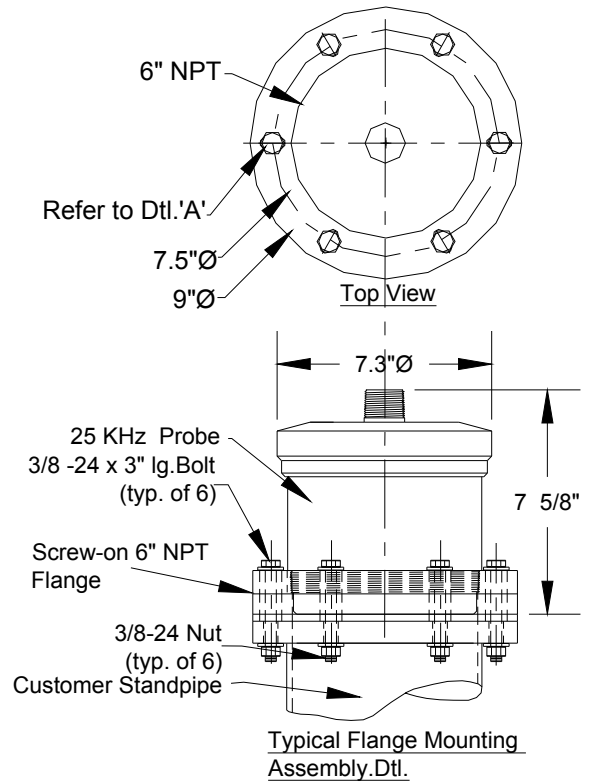
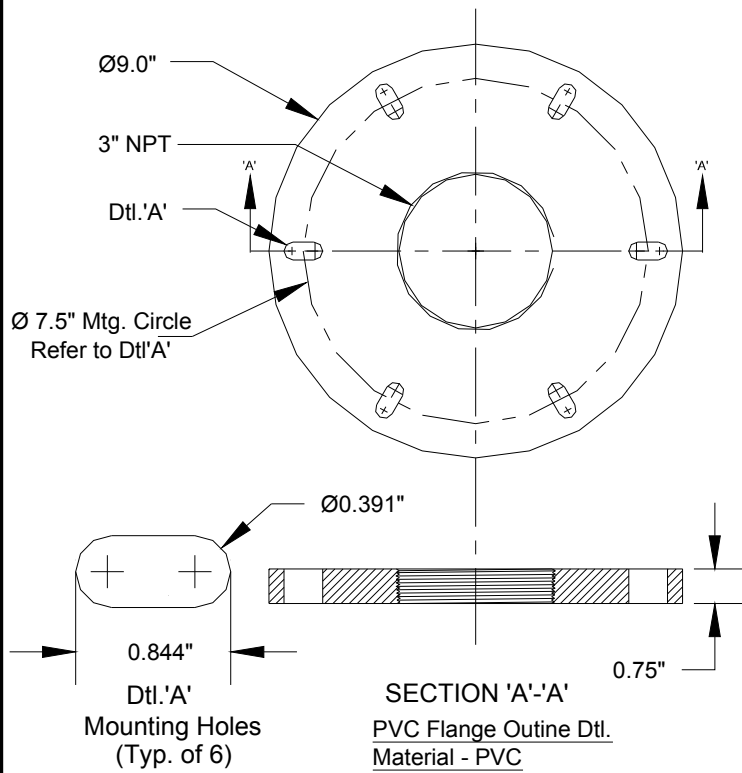
High Temperature Mounting Adaptor

Radar Sensors - Refer to page ' for Dimensional info.

Ultrasonic Sensors Mounting



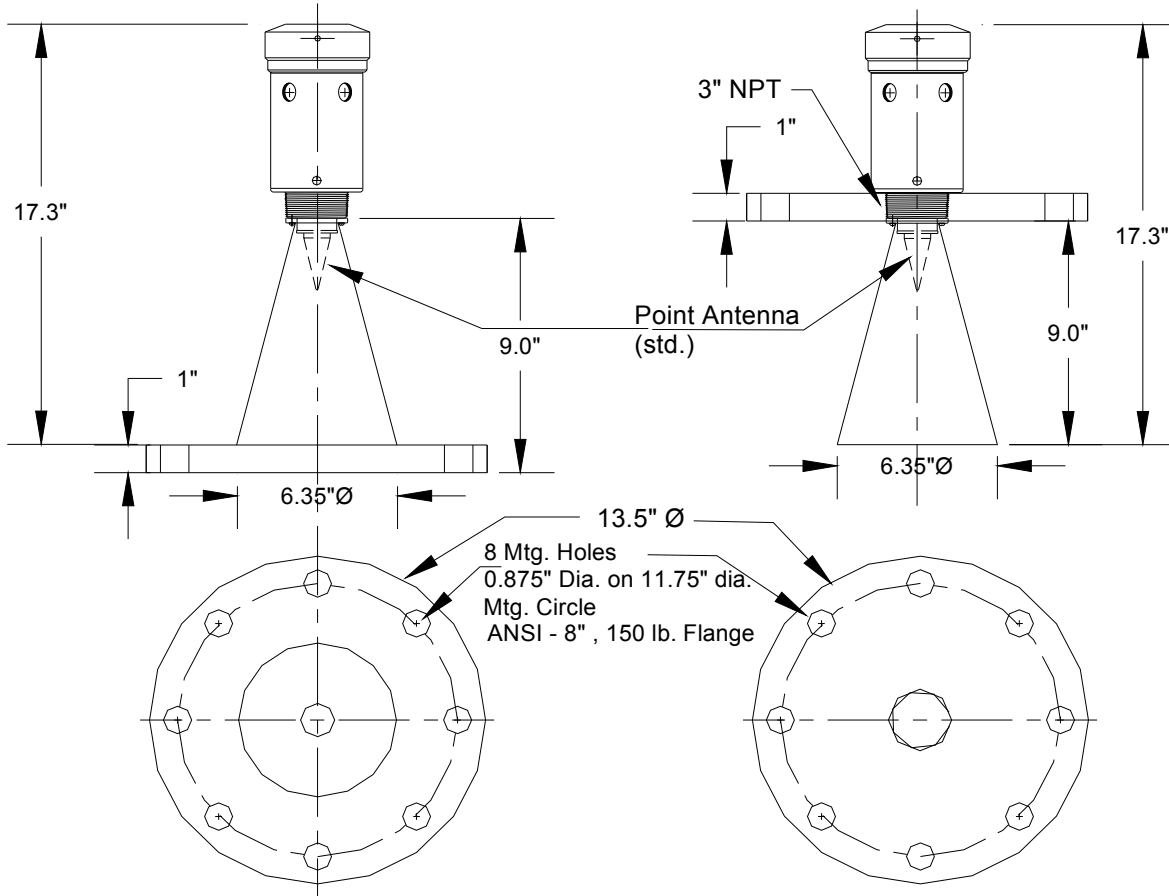
Order from: **C A Briggs Company** - 632 Davisville Road - Willow Grove, PA 19090
 Phone: 215-784-9250 - Fax: 215-784-0611 - E-Mail: Sales@cabriggs.com - www.cabriggs.com



Radar Sensors Mounting Peripherals

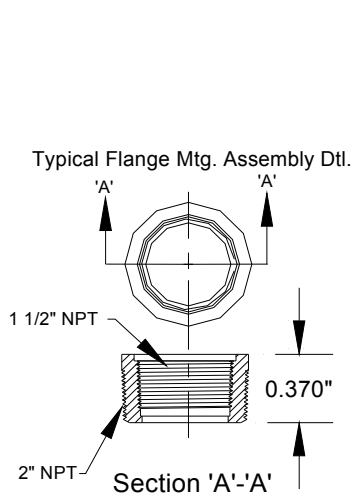


Order from: **C A Briggs Company** - 632 Davisville Road - Willow Gove, PA 19090
 Phone: 215-784-9250 - Fax: 215-784-0611 - E-Mail: Sales@cabriggs.com - www.cabriggs.com

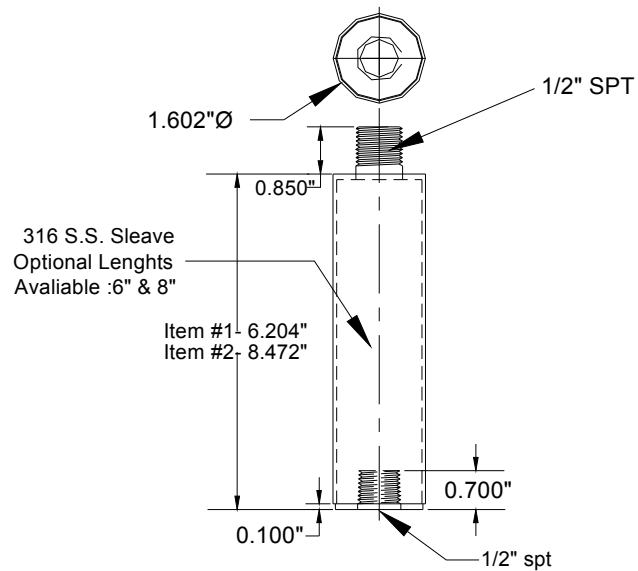


Radar Flange Mounted External Horn

Radar Flange Mounted Internal Horn



High Temperature Mounting Adaptor



Antenna Extension