

# LEVELWORKS®

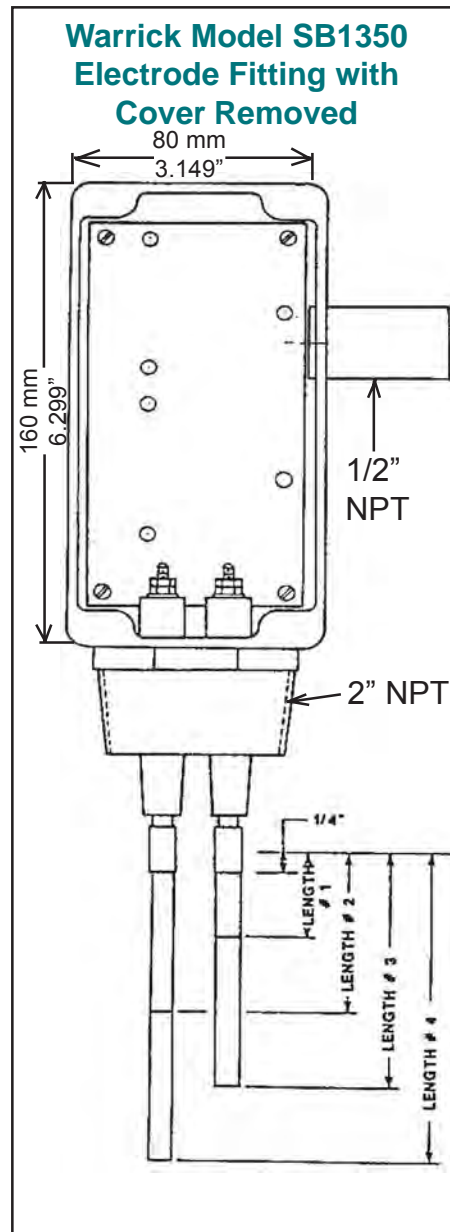
C. A. Briggs Company

Bulletin - Warrick 3G-DF-16

## Level Solutions from The LEVELWORKS® PEOPLE Warrick Self-Contained Liquid Level Control from C A Briggs Company Stock

For use on Water and many Acids and Bases in:  
Water Treatment, Cooling Towers, Pits, Sumps and Tanks

- Polyester Housing
- NEMA 4X Watertight
- Accommodates either Series DF or Series 16 Controls - Purchased Separately
- Wetted Parts are PVC, Teflon and 316 Stainless
- 2" NPT PVC Base
- Optional 2" Pipe Flange
- Accommodates up to 4 Probes.
- Uses 3-Probes with Series 16 Control for Drain or Fill
- Uses 4-Probes with Series DF for Drain or Fill and Alarm
- Electrode Purchased Separately



### Series DF - Dual Function Control



- Differential Pump Up or Pump Down with High Level Alarm or Low Level Cutoff.
- Differential Fill or drain Valve with High or Low Alarm.
- Probes - 3/16" tabs.
- Power and Load - 1/4" tabs.

### Series 16 - Single or Differential Controller



- Differential Pump Up or Pump Down or Single Level Service.
- Differential Fill or drain Valve or Single Level Service.
- Probes - 3/16" tabs.
- Power and Load - 1/4" tabs.

Application Notes: 1 - A Complete Control consists of: SB1350, either series 16 or DF Control and type 3R or 3T Probes  
2 - Ground Probe is required.  
3 - Installation and wiring of Control is the responsibility of the Customer.



**C. A. Briggs Company**  
The LEVELWORKS® People

622 MaryStreet  
Warminster, PA 19090  
E-Mail: [sales@cabriggs.com](mailto:sales@cabriggs.com)

Phonr: (800) 352-6265  
Phone: (267) 673-8117  
Fax: (267) 673-8118

WebSite: [www.cabriggs.com](http://www.cabriggs.com)

# ORDERING INFORMATION: Select the three (3) components

that make up the **Self-Contained Liquid Level Control**.

Select #1 + #2A or 2B + #3 (specify number and length of Electrodes).

**#1 - Warrick model SB1350 NEMA 4X Polycarbonate Enclosure with 2" NPT Base (accept up to 4 Probes).**

## Ordering Information

## Warrick DF Series

**#2A**

Order by Component Number

**DFXXC0-XX-XX-X**

3rd Place Symbol		
Mode of Operation		
H/L LLCO	H/L LLCO	
Direct	Indirect	
Sensitivity		
A	4.7K	K
B	10K	L
C	26K	M

4th Place Symbol	
Supply Voltage	
1	120 VAC
2	240 VAC
3	24VAC

7th Place Symbol	
Time Delay	
Increasing Level	
H/L Level	3,5 10 Sec.

8th Place Symbol	
Time Delay	
Decreasing Level	
H/L Level	3,5 10 Sec.

8th Place Symbol	
Time Delay	
Decreasing Level	
LLCO Level	3 Sec. Standard
	6 Sec. available

## Ordering Information

## Warrick 16 & 16D Series

**#2B**

Order by Component Number

**16 or 16DXXC0-XX-XX**

3rd Place Symbol		
Mode of Operation		
H/L LLCO	H/L LLCO	
Direct	Indirect	
Sensitivity		
A	4.7K	K
B	10K	L
C	26K	M

4th Place Symbol	
Supply Voltage	
1	120 VAC
2	240 VAC
3	24VAC

7th Place Symbol	
Time Delay	
Increasing Level	
H/L Level	3,5 10 Sec.

8th Place Symbol	
Time Delay	
Decreasing Level	
H/L Level	3,5 10 Sec.

## Ordering Information

## Warrick 3R & 3T Series

**#3**

Order by Component Number

**3R or 3TXXX**

3rd Place Symbol	
Length in Feet	
1	One
2	Two
3	Three
4	Four
5	Five
6	Six
7	Seven
8	Eight

4th Place Symbol	
Probe Material	
A	Brass
C	316 SS
D	Carp 20
E	Hast B
F	Hast C
G	Monel
H	Titanium

5th Place Symbol	
Sheathing Heat Shrink	
0	None
4	PVC
5	Teflon

Order from:

**C A Briggs Company**

622 Mary Street; Suite 101

Warminster, PA 18974

Phone: 267-673-8117 - 800-352-6265

Fax: 267-673-8118

[Sales@cabriggs.com](mailto:Sales@cabriggs.com) - [www.cabriggs.com](http://www.cabriggs.com)

**#4 - OPTIONAL Model 23830 2" PVC Pipe Flange for flange mounting SB1350**