

SenSmart 2000 Series

"The Art of Gas Detection" - Built with our Proven ST-48 Transmitter



Non-metallic Poly "PY" Div 2 model

The **SenSmart 2000** 2-Wire 4-20mA Loop Powered Gas Monitor accepts oxygen and many toxic gases by offering a wide variety of electrochemical gas sensors. **SenSmart 2000**s utilize our popular "GEN 1 smart sensor" proprietary technology to provide sensor recognition and temperature compensation within the **SenSmart 2000**. Each GEN 1 smart sensor has its' own non-volatile memory to store records of serial number, born-on date, initial calibration values, engineering units and temperature compensation algorithm.



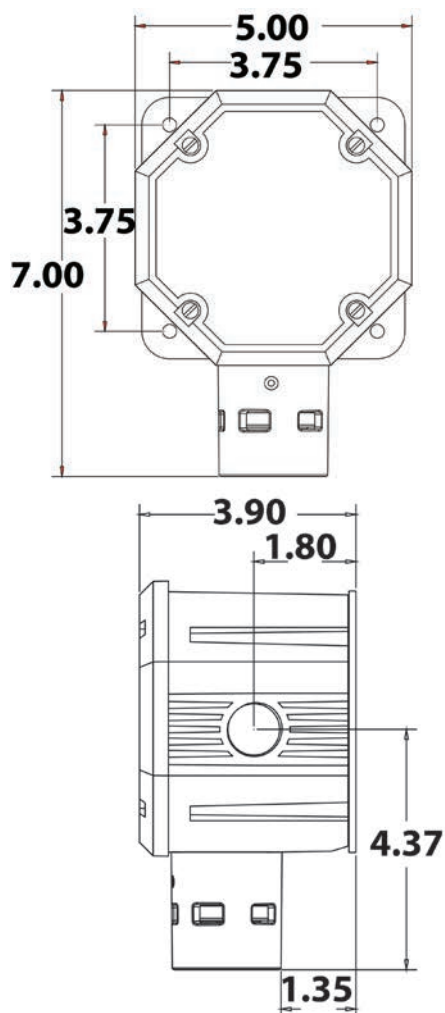
Aluminum "AL" XP model

FEATURES HIGHLIGHT

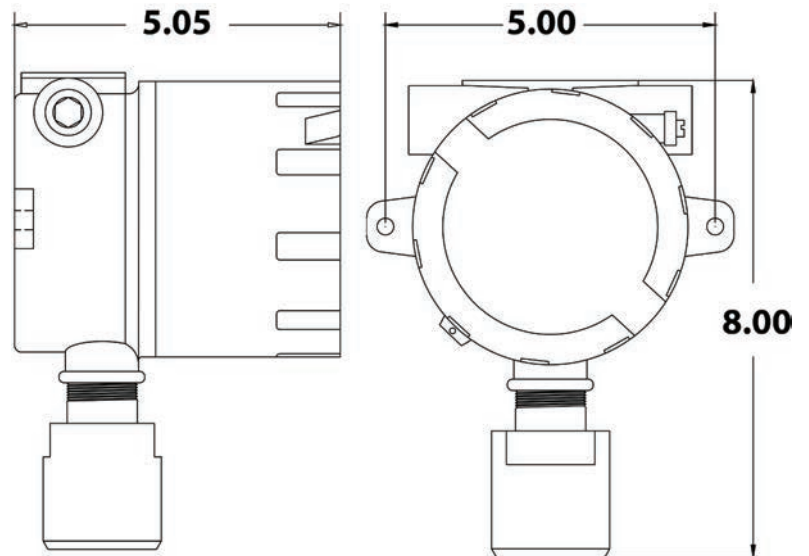
- Certified for Explosion Proof and Intrinsically Safe Installations
- Graphic display shows values, units, trend graph, alarm levels
- Non-polarized loop powered interface eliminates wiring errors
- Three flashing Alarm LEDs with Programmable Alarm Levels
- Real time clock tags alarm and calibration events
- Non-intrusive, prompted calibration with programmable cal-gas
- Power-up and post-calibration delays eliminate false alarms
- Security settings to lock critical parameters
- Auto-recognition of Smart Sensors uploads calibration data and more
- Fault supervision circuitry detects failed sensor and transmits warning
- Setup in hazardous area requires only simple magnetic wand

Power Supply	10-30VDC at less than 0.75 watts
Display	64 x 128 pixel LCD with 30-minute trend, bar graph and engineering units display
Accuracy	+/- 5% of full scale range (typical)
Standard Output	Standard 2-wire 4-20mA current sink . Max loop Resistance is 600 ohms with nominal 24VDC power supply
Temp	Electronics -40°C to +60°C. See Electrochemical Sensor Manual for additional information
Housing	Aluminum with epoxy paint standard; Optional #316 stainless steel, Optional UI94 Poly Black Plastic Enclosure
Dimensions	(Aluminum) Width 5.4" (137 mm), Height 8" (203 mm), Depth 5" (127 mm) Shipping weight 6.5 pounds (3 kg) (Poly) Width 5" (127 mm), Height 7" (178 mm), Depth 4" (101 mm) Shipping weight 3 pounds (2 kg)
Approval	CSA Certified Div 1 & 2 Groups B, C, D. Suitable for explosion-proof installations CSA Certified Div 1 & 2 Groups A, B, C, D for Intrinsically safe installations

Poly Housing



Single Sensor Aluminum Housing



ALL DIMENSIONS IN INCHES



8621 Highway 6, Hitchcock, TX 77563
Tel: (409) 986-9800 • Fax: (409) 986-9880
www.rcsystemsco.com

Representatives:
C A Briggs Company
632 Davisville Road
Willow Grove, PA 19090
Phone: 215-784-9250; Fax: 215
E-Mail: Sales@cabriggs.com
www.cabriggs.com

SenSmart 3000 Series

"The Art of Gas Detection" - Built with our Proven ST-48 Transmitter



Aluminum "AL" XP model



Non-metallic Poly "PY" Div 2 model



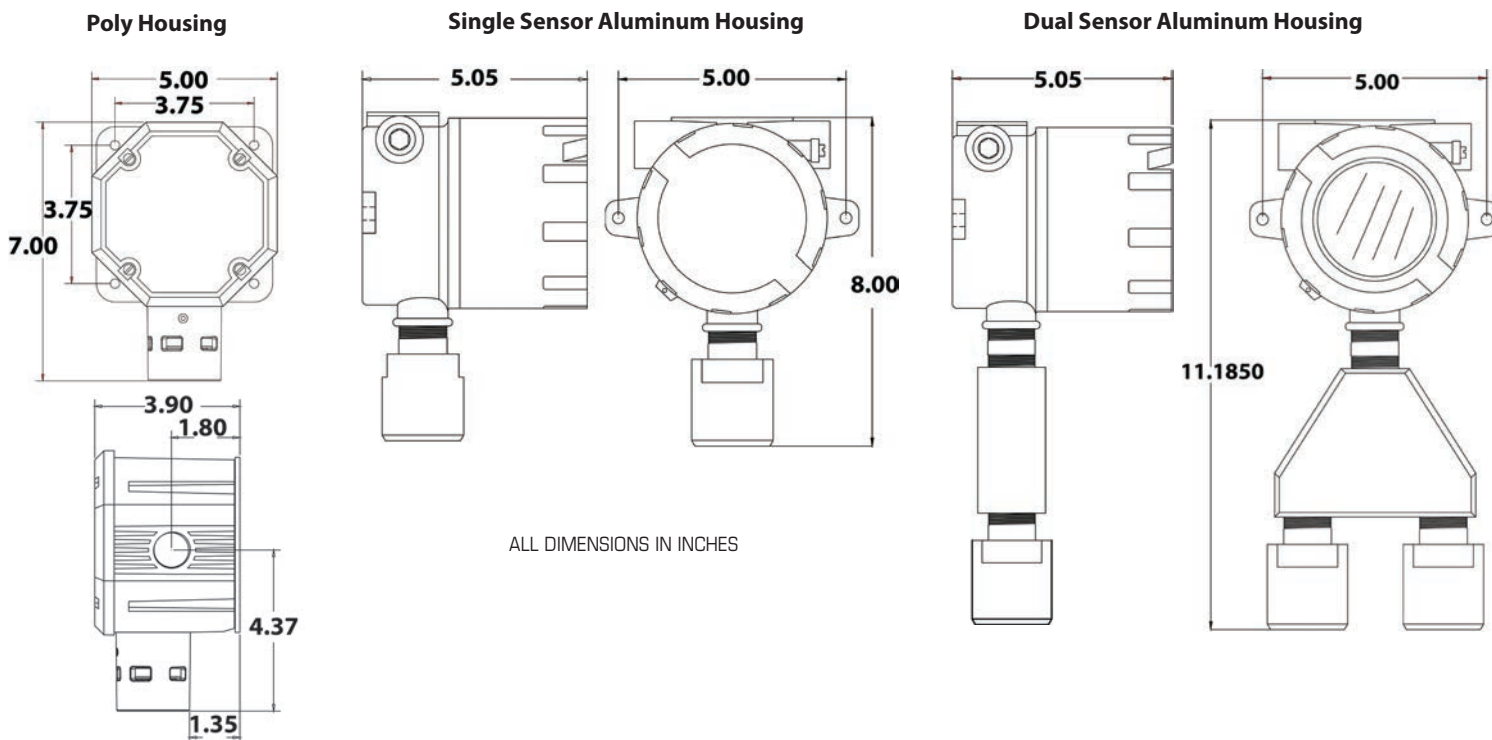
Aluminum "AL" XP model with Dual Sensor

The **SenSmart 3000** 3-wire gas detector is built with our reliable 'ST-48' smart transmitter, which provides the cutting-edge technology in toxic and combustible gas detection. It's a universal, easy to use detector that supports dual smart sensor with different types, including electrochemical, Catalytic Bead, Infrared and Photoionization sensors.

FEATURES HIGHLIGHT

- CSA Certified for Class I, Div 1 Locations
- Graphic LCD display shows values, units, trend graph, alarm levels
- Backlit display for better visibility in low light conditions
- LED indication of alarm status
- Dual smart sensor capable
- Supports both local and remote sensors for easy installation
- Non-intrusive, prompted calibration with programmable cal-gas
- Power-up and post-calibration delays eliminate false alarms
- Options for 3x 5A alarm contacts, isolated 4-20mA and MODBUS®
- Auto-recognition of Smart Sensors uploads calibration data and more
- Real-time clock and calendar logs alarms, calibration and power-up events
- Security mode allows locking of critical parameters
- Fault supervision circuitry detects failed sensor and transmits warning
- Setup in hazardous area requires only simple magnetic wand

Power Supply	Power Input 10-30VDC at < 6.5 watts with relay board (all relay energized)
Display	Backlit 64 x 128 pixel LCD with 30-minute trend, bar graph and engineering units display
Channel One Input	Electrochemical toxic and oxygen sensors / 4-20ma current input
Channel Two Input	Catalytic Bead, Infrared and Photoionization sensor / 4-20mA current input
Standard Output	Dual 3-wire 4-20mA current source. Max loop R is 750 ohms with nominal 24VDC power supply
Optional Outputs	Dual isolated 4-20mA current source. Max loop Resistance is 650 ohms with nominal 24VDC; MODBUS slave ports; 3x programmable alarm relays with 5A capability
Temp	Electronics -40°C to +60°C
Housing	Aluminum with epoxy paint standard; Optional #316 stainless steel, Optional UI94 Poly Black Plastic Enclosure
Dimensions	(Aluminum) Width 5.4" (137 mm), Height 8" (203 mm), Depth 5" (127 mm) Shipping weight 6.5 pounds (3 kg) (Poly) Width 5" (127 mm), Height 7" (178 mm), Depth 4" (101 mm) Shipping weight 3 pounds (2 kg)
CSA Approvals	Cast Aluminum Enclosure: Explosion-Proof CI 1 Div 1 Gr ABCD with 10-0247 (includes sinter) Non-Incendive CI 1 Div 2 Gr ABCD with 10-0247 or 10-0247IS UL94 Poly Black Plastic Enclosure: Non-Incendive CI 1 Div 2 Gr ABCD



8621 Highway 6, Hitchcock, TX 77563
 Tel: (409) 986-9800 • Fax: (409) 986-9880
www.rcsystemsco.com

Representatives:
C A Briggs Company
 632 Davisville Road
 Willow Grove, PA 19090
 Phone: 215-784-9250; Fax: 215
 E-Mail: Sales@cabriggs.com
www.cabriggs.com

SenSmart 3000 Series

"The Art of Gas Detection" - Built with our Proven ST-48 Transmitter



Aluminum "AL" XP model



Non-metallic Poly "PY" Div 2 model



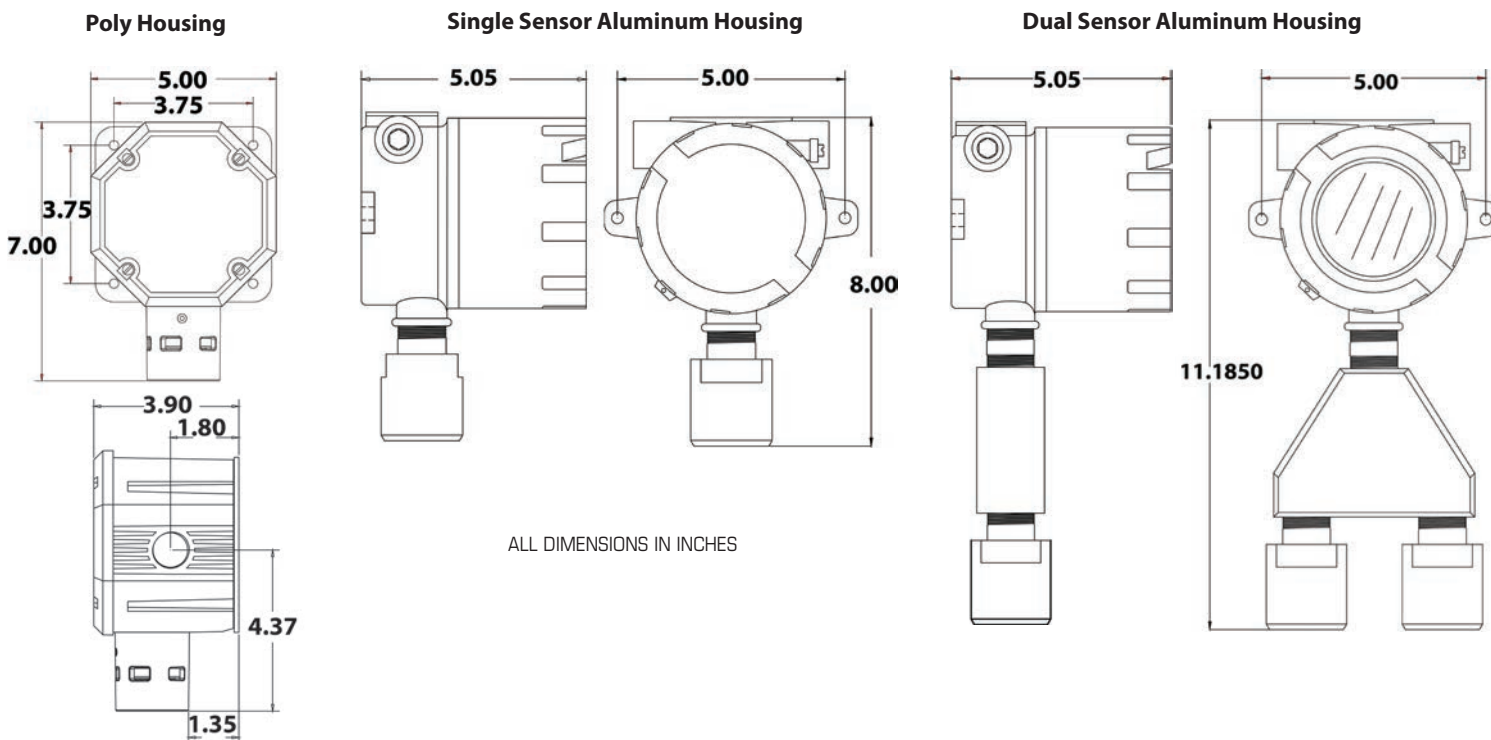
Aluminum "AL" XP model with Dual Sensor

The **SenSmart 3000** 3-wire gas detector is built with our reliable 'ST-48' smart transmitter, which provides the cutting-edge technology in toxic and combustible gas detection. It's a universal, easy to use detector that supports dual smart sensor with different types, including electrochemical, Catalytic Bead, Infrared and Photoionization sensors.

FEATURES HIGHLIGHT

- CSA Certified for Class I, Div 1 Locations
- Graphic LCD display shows values, units, trend graph, alarm levels
- Backlit display for better visibility in low light conditions
- LED indication of alarm status
- Dual smart sensor capable
- Supports both local and remote sensors for easy installation
- Non-intrusive, prompted calibration with programmable cal-gas
- Power-up and post-calibration delays eliminate false alarms
- Options for 3x 5A alarm contacts, isolated 4-20mA and MODBUS®
- Auto-recognition of Smart Sensors uploads calibration data and more
- Real-time clock and calendar logs alarms, calibration and power-up events
- Security mode allows locking of critical parameters
- Fault supervision circuitry detects failed sensor and transmits warning
- Setup in hazardous area requires only simple magnetic wand

Power Supply	Power Input 10-30VDC at < 6.5 watts with relay board (all relay energized)
Display	Backlit 64 x 128 pixel LCD with 30-minute trend, bar graph and engineering units display
Channel One Input	Electrochemical toxic and oxygen sensors / 4-20ma current input
Channel Two Input	Catalytic Bead, Infrared and Photoionization sensor / 4-20mA current input
Standard Output	Dual 3-wire 4-20mA current source. Max loop R is 750 ohms with nominal 24VDC power supply
Optional Outputs	Dual isolated 4-20mA current source. Max loop Resistance is 650 ohms with nominal 24VDC; MODBUS slave ports; 3x programmable alarm relays with 5A capability
Temp	Electronics -40°C to +60°C
Housing	Aluminum with epoxy paint standard; Optional #316 stainless steel, Optional UI94 Poly Black Plastic Enclosure
Dimensions	(Aluminum) Width 5.4" (137 mm), Height 8" (203 mm), Depth 5" (127 mm) Shipping weight 6.5 pounds (3 kg) (Poly) Width 5" (127 mm), Height 7" (178 mm), Depth 4" (101 mm) Shipping weight 3 pounds (2 kg)
CSA Approvals	Cast Aluminum Enclosure: Explosion-Proof CI 1 Div 1 Gr ABCD with 10-0247 (includes sinter) Non-Incendive CI 1 Div 2 Gr ABCD with 10-0247 or 10-0247IS UL94 Poly Black Plastic Enclosure: Non-Incendive CI 1 Div 2 Gr ABCD



8621 Highway 6, Hitchcock, TX 77563
 Tel: (409) 986-9800 • Fax: (409) 986-9880
www.rcsystemsco.com

Representatives:
C A Briggs Company
 632 Davisville Road
 Willow Grove, PA 19090
 Phone: 215-784-9250; Fax: 215
 E-Mail: Sales@cabriggs.com
www.cabriggs.com



Dual Sensor Gas Detectors

"The Art of Gas Detection"

* SenSmart 7900

- 2.4GHZ/900MHZ wireless with integral battery
- Local calibration and real time event log
- 15' remote sensor option
(backlight available on local powered version)

SenSmart 6900*

- QVGA LCD with stunning color graphics
- Ethernet: Modbus TCP with web server
- RS-485 remote sensor option up to 4000'
- Dual Port Modbus RTU/relays option

* SenSmart 8900

- 3-Wire 4-20mA (source) with local backlit LCD graphic display
- Local Calibration and real time event log
- Single Port Modbus RTU/relays option

*models also
available in
"PY" Poly Enclosure

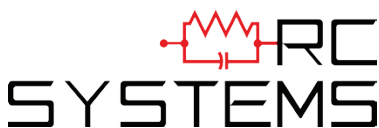
Models are available in Aluminum, Stainless Steel and Poly enclosure options. For features, please see the table below, and as always, contact R.C. Systems for solutions to your gas detection needs.

Dual Sensor Gas Detector	SenSmart 3900	SenSmart 6900	SenSmart 7900
Display	Backlit LCD	Color Backlit LCD	LCD
Power Supply	10-30 VDC	10-30 VDC	10-30 VDC or 3.6V Battery
Modbus RTU (RS-485)	Yes	Yes	
Modbus TCP/IP		Yes	
Alarm Relays	Yes	Yes	
Standard Output	4-20mA Source ¹	4-20mA Source	Wireless
Local Alarm Indication	LEDs	LCD Display Color	LEDs
Real Time Clock	Yes	Yes	Yes
Event Log	Yes	Yes	In WLR Controller
Temperature Compensation	Yes	Yes	Yes
Local Calibration	Yes	Yes	Yes
Magnetic Keypad	Yes	Yes	Yes
Arctic Sensor Available	Yes	Yes	
Enclosure Heater Available	Yes		
Embedded Webpage		Yes	
Password Protected	Yes	Yes	Yes
Sensor Life	Local Display and Transmit	Local Display and Transmit	Local Display
Sensor Technology Combinations	<ul style="list-style-type: none"> • Dual Infrared • Electrochemical and Catalytic Bead/ Infrared/PID 	<ul style="list-style-type: none"> • Dual Catalytic Bead/Infrared/PID • Dual Electrochemical • Electrochemical and Catalytic Bead/ Infrared/PID 	<ul style="list-style-type: none"> • Dual Infrared • Dual Electrochemical • Electrochemical and Infrared
Remote Sensor	4-20mA	Up to 4000'	Up to 15'
Area Classification ^{2,3}	<ul style="list-style-type: none"> • Cl 1 Div. 1 Explosion Proof • Cl 1 Div. 2 Non-Incendive 	<ul style="list-style-type: none"> • Cl 1 Div. 1 Explosion Proof • Cl 1 Div. 2 Non-Incendive 	<ul style="list-style-type: none"> • Cl 1 Div. 1 Explosion Proof • Cl 1 Div. 2 Non-Incendive

1 Isolated 4-20mA Output Option Available

2 Poly Enclosure only certified for Class 1 Division 2 applications.

3 Reactive Gases are limited to Cl 1 Div 2 applications



8621 Highway 6, Hitchcock, TX 77563
 Tel: (409) 986-9800 • Fax: (409) 986-9880
www.rcsystemsco.com

Representatives:
C A Briggs Company
 632 Davisville Road
 Willow Grove, PA 19090
 Phone: 215-784-9250; Fax: 215
 E-Mail: Sales@cabriggs.com
www.cabriggs.com