

PDA2800

Smallest Footprint Plastic NEMA 4X Enclosures for 1/8 DIN Digital Panel Meters



Download free 3-D CAD files of these enclosures to simplify your drawings!

predig.com/documentation-cad

PDA2811 Enclosure Shown with a ProVu Meter and MOD-LH Light / Horn and Reset Button.

Meter & MOD-LH Sold Separately. Assembly Required.



FEATURES

- House up to 2 Meters
- Plastic
- 1/8 DIN Cutout(s) Pre-Cut
- 1/2" Conduit Hole on PDA2801 and PDA2811
- NEMA 4X (PDA2801 NEMA 4)
- Meter Mounted in Cover
- Cover Held in Place with Screws
- UL, C-UL Listed
- PDA2801 Mounting Holes Through Enclosure
- PDA2811, PDA2812 & PDA2821 Mounting Hardware Provided
- Light / Horn & Reset Button
- Pipe Mounting Kit Options

OVERVIEW

The PDA2800 series of economical small footprint plastic NEMA 4X enclosures provide a convenient way to mount one or two Precision Digital meters to walls and other vertical structures. The PDA2811 enclosure also has room for a light / horn accessory. These enclosures come pre-cut with horizontal 1/8 DIN cutouts or they can be ordered with no cutouts. The PDA2801 and PDA2811 are provided with a 1/2" conduit hole in the base of the enclosure. The meters are mounted in the cover of the enclosure thus allowing for programming and operation of the meter. No additional mounting hardware other than screws is needed. The cover is secured with four screws. Optional pipe mounting kits are available for mounting the enclosures to 2" pipes. Enclosures, meters and accessories are ordered and packaged separately.

PDA2800 Smallest Footprint Plastic NEMA 4X Enclosures

WALL MOUNTING

The PDA2801 uses four screws (not included) that go through the back of the enclosure for quick and easy wall mounting. The PDA2811, PDA2812, and PDA2821 enclosures include four mounting flanges and four screws. Using the screws and a phillips head screwdriver simply assemble each flange in the four threaded screw holes on the back of the enclosure as shown in the example below.



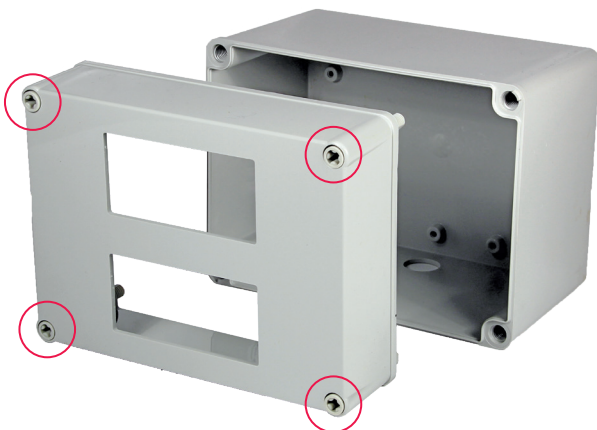
PDA2811 / PDA2812 enclosure with supplied mounting flanges installed



PDA2801 with screws through back of enclosure for wall mounting

COVER SECURING METHOD

The cover is secured with four screws.



ENCLOSURE SELECTION UTILITY

This utility simplifies the selection process of the right enclosure for your application based on the number and type of meters to be installed in the enclosure.

STEP 1. Select number of meters

Step 1:

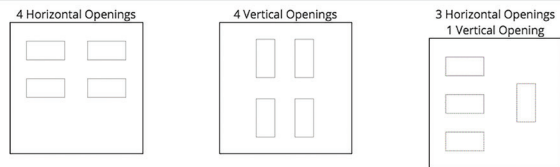
How many meters do you need to house?

Finished assembly of these enclosures is done at the time of the order. As such, acknowledged orders are non-cancelable and the product is non-returnable.

STEP 2. Select cutout configuration

Step 2:

Please use the graphics below to select the cutout configuration for your 4 Precision Digital products



STEP 3. Select type of meters

Step 3:

Select which type of meter you will be installing into the enclosure.

You can view more details about a particular product by moving your mouse over the pictures below.



STEP 4. Choose from results

Enclosure Selection Utility Results

SKU	Description	Stock	Lead Time	Price
PDA2304	PDA2300 Series NEMA 4X Plastic Enclosures Enclosure Cutouts: Four (4) Material: Plastic Meter Mounting: Through front panel Orientation: Horizontal Warranty: 1 year Approvals: UL/C-UL	3	3 business days	\$269.00
PDA2504	PDA2500 Series Plastic NEMA 4X Enclosures Enclosure Cutouts: Four (4) DIN Size: 1/8 DIN Material: Plastic Meter Mounting: Through front panel Orientation: Horizontal Warranty: 1 year Approvals: UL/C-UL	1	13 business days	\$349.00
PDA2604	PDA2600 Series Stainless Steel NEMA 4X Enclosures Enclosure Cutouts: Four (4) Material: Stainless Steel Meter Mounting: Through front panel	1	33 business days	\$859.00



Need help selecting the right enclosure?
www.predig.com/esu

PDA2800 Smallest Footprint Plastic NEMA 4X Enclosures

MODELS AVAILABLE

Cutouts



PDA2801



PDA2811



PDA2812



PDA2821

No Cutouts



PDA2801-B



PDA2812-B



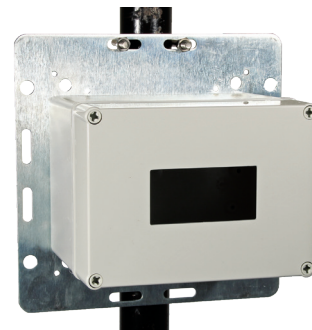
Need help selecting the right enclosure?
Go to www.predig.com/esu

ACCESSORIES



PDA6845 2" Pipe Mounting Kit

The PDA6845 and PDA6845-SS pipe mounting kits provide convenient ways to mount the PDA2801 enclosure to 2" pipes.

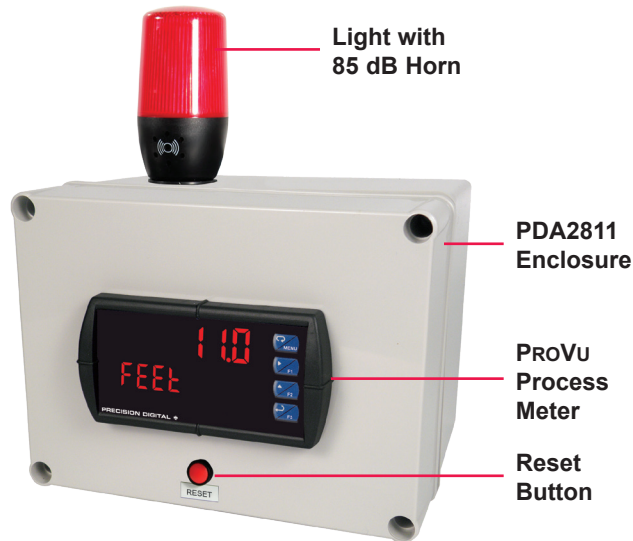


PDA6545 2" Pipe Mounting Kit

The PDA6545 and PDA6545-SS pipe mounting kits provide convenient ways to mount the PDA2811, and PDA2812 enclosures to 2" pipes.

ACCESSORIES (CONTINUED)

PDA2800 Series Enclosure with Light / Horn



Light / Horn Accessories

Precision Digital offers a Light / Horn that can be mounted to the PDA2811 or PDA2821 by the user. This Light / Horn can be wired to flash or stay steady on and the horn is rated at 85 dB. The light and horn can be controlled independently of each other via separate relays on the meter such that the horn can be programmed to silence via a button mounted to the enclosure and the light can be programmed to stay on until the alarm clears.

The light / horn and reset button are all rated NEMA 4X or IP65. The following table illustrates a typical way the Light / Horn accessory can be wired and programmed for the PROVU meter:

Relay #	Connected to	Typical reset method (user selectable)
1	Flashing Light ⁽¹⁾	Auto reset
2	Horn	Silence with Reset Button at any time
3	User Device	As user desires
4	User Device	As user desires

1. Light can be wired to flash or stay steady on

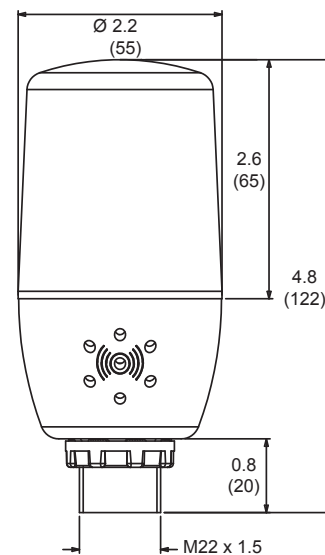
Note: The Light / Horn accessory is powered from the 200 mA transmitter power supply, so when this is installed, the meter's transmitter power is downgraded from 200 mA. See Transmitter Power Supply specification on MOD-LH manual for details.

MOD-LH Light / Horn Accessory

When this MOD is ordered, the enclosure comes pre-drilled with holes for the Light / Horn and Reset Button to be installed by user. Meter and enclosure are sold separately. The Light / Horn hole is in the back left corner of the enclosure and the Reset button is centered on the front of the enclosure about an inch off the bottom of the cover. If the user would prefer to mount these items in different locations, order the PDA-LH and the PDA-BUTTON1R separately and drill holes and mount as desired. Other light colors are available.

Light / Horn Dimensions

Units: Inches (mm)



PDA-SSTAG Stainless Steel Tags

PDA-SSTAG is a laser etched stainless steel tag accessory for any of your Precision Digital meters. The tag features custom text for equipment identification, instruction, or whatever else is needed in your facility. Each tag comes with a stainless steel wire and lead seal for easy mounting wherever you need it.



PDX18DIN-FILLER 1/8 DIN Cutout Filler

The NEMA 4X 1/8 DIN cutout filler is used to cover up empty 1/8 DIN cutouts and maintain the NEMA 4X rating to the panel or enclosure. It consists of a generic bezel with a black faceplate, as well as mounting brackets, gasket, etc.



PDA2800 Smallest Footprint Plastic NEMA 4X Enclosures

SPECIFICATIONS

General

Material: Thermoplastic Polyester
Color: Gray
Meters: Houses 1 or 2 meters
Meter Mounting Method: Through cover
Cover Mounting Method: Screws
Ratings: NEMA 4X (PDA2801 NEMA 4)
Approvals: UL, C-UL
Operating Temperature: -40 to 120°C
Warranty: 1 year

1/8 DIN Meter Types

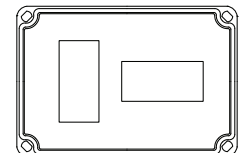
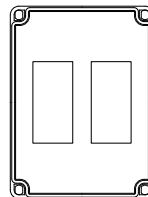
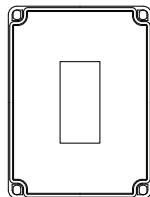
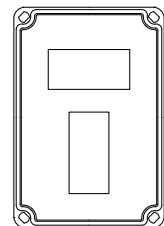
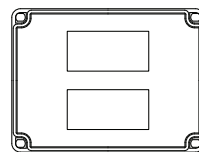
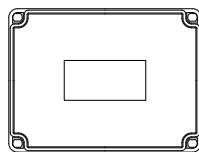
Type	Meters
B	PD542, PD543, and PD562
C	PD603, PD644, PD743, PD765, PD6602, PD6603, PD6604, PD6606, PD6607, PD6608, PD6622, PD6624, and PD6626, and PD6628.
D	PD138, PD154, and PD158
E	PD6000, PD6001, PD6060, PD6080, PD6081, PD6088, PD6089, PD6100, PD6200, PD6210, PD6262, PD6300, PD6310, PD6310-WM, PD6363, PD6400, and PD7000

Dimensions / Features

• Available ■ 1 Required

Model	# of Meters	1/8 DIN Meter Type				Outside Dimensions (H x W x D) Inch (mm)	Inside Dimensions (H x W x D) Inch (mm)	Mounting Dimensions Inch (mm)	Conduit Hole	Fits PDA1024-01	Fits MOD-LH	Weight lb (kg)
		B	C	D	E							
Horizontal Cutouts												
PDA2801	1		•	•	3.2 x 6.4 x 3.5 (82 x 162 x 90)	3.0 x 6.1 x 3.2 (75 x 156 x 82)	2.6 x 5.7 (66 x 145)	•			0.60 (0.27)	
PDA2811	1	•	•	•	5.9 x 7.9 x 6.4 (150 x 200 x 163)	5.5 x 7.5 x 5.9 (140 x 190 x 150)	5.2 x 7.2 (132 x 182)	•		•	1.75 (0.79)	
PDA2812	2											
PDA2821	2	•	•	■	11.0 x 7.5 x 7.1 (280 x 190 x 180)	10.5 x 6.7 x 6.7 (266 x 170 x 170)	10.0 x 6.5 (255 x 165)			•	2.80 (1.27)	
No Cutouts												
PDA2801-B	N/A				3.2 x 6.4 x 3.5 (82 x 162 x 90)	3.0 x 6.1 x 3.2 (75 x 156 x 82)	2.6 x 5.7 (66 x 145)	•			0.60 (0.27)	
PDA2812-B	N/A				5.9 x 7.9 x 6.4 (150 x 200 x 163)	5.5 x 7.5 x 5.9 (140 x 190 x 150)	5.2 x 7.2 (132 x 182)			•	1.75 (0.79)	

Cutouts Placement



PDA2801

PDA2811

PDA2812

PDA2821

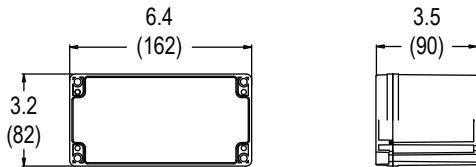
PDA2800 Smallest Footprint Plastic NEMA 4X Enclosures

DIMENSIONS

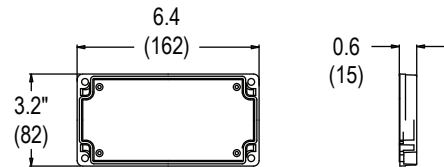
Units: Inches (mm)

PDA2801 Enclosure

BODY

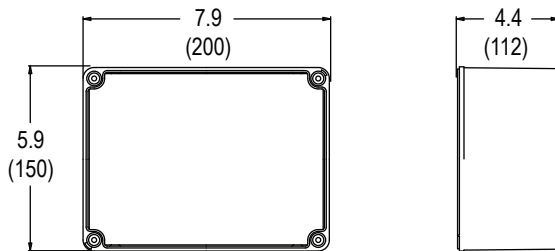


COVER

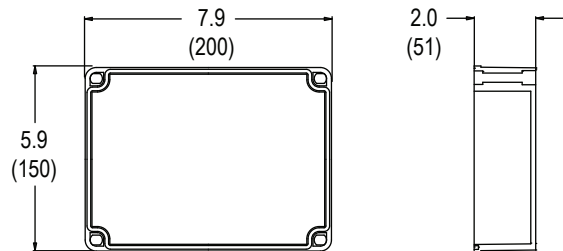


PDA2811/2812 Enclosures

BODY

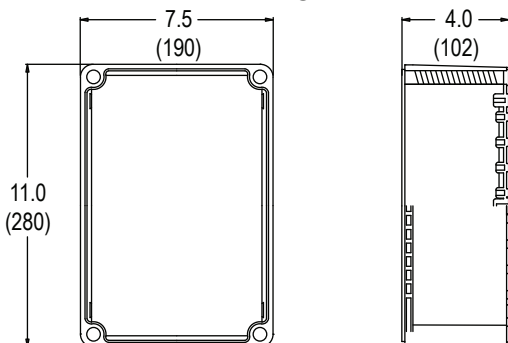


COVER

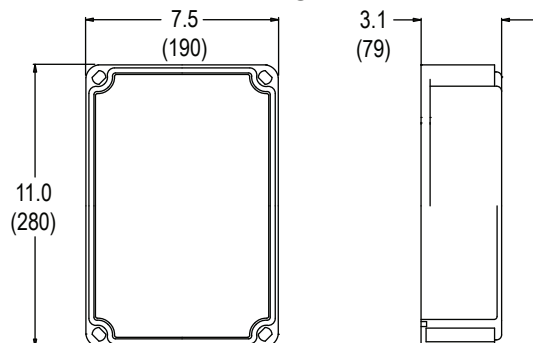


PDA2821 Enclosure

BODY



COVER



Download free 3-D CAD files of these enclosures to simplify your drawings!

predig.com/documentation-cad

PDA2800 Smallest Footprint Plastic NEMA 4X Enclosures

ORDERING INFORMATION

Horizontal Cutouts

Model	# of Meters	1/8 DIN Meter Type			
		B	C	D	E
PDA2801	1		•	•	
PDA2811	1	•	•	•	•
PDA2812	2	•	•	•	•
PDA2821	2	•	•	☑	•

• Available ☑ 1 Required

1/8 DIN Meter Types

Type	Meters
B	PD542, PD543, and PD562
C	PD603, PD644, PD743, PD765, PD6602, PD6603, PD6604, PD6606, PD6607, PD6608, PD6622, PD6624, and PD6626, and PD6628.
D	PD138, PD154, and PD158
E	PD6000, PD6001, PD6060, PD6080, PD6081, PD6088, PD6089, PD6100, PD6200, PD6210, PD6262, PD6300, PD6310, PD6310-WM, PD6363, PD6400, and PD7000

No Cutouts

Model	Description
PDA2801-B	Enclosure with no Cutouts
PDA2812-B	Enclosure with no Cutouts

Accessories

Model	Description
MOD-LHRB1	Red ⁽³⁾ Light / Horn + Reset Button with Holes Drilled ⁽¹⁾
PDA-BUTTON1R	Reset Button ⁽²⁾
PDA-LHR	Red ⁽³⁾ Light / Horn
PDA-SSTAG	Stainless Steel Tag
PDA6545	2" Pipe Mounting Kit, Zinc Plated Steel for PDA2801
PDA6545-SS	2" Pipe Mounting Kit, Stainless Steel, for PDA2801
PDA6845	2" Pipe Mounting Kit, Zinc Plated Steel, for PDA2811 and PDA2812
PDA6845-SS	2" Pipe Mounting Kit, Stainless Steel, for PDA2811 and PDA2812
PDX18DIN-FILLER	1/8 DIN Cutout Filler

- When this MOD is ordered, the enclosure comes pre-drilled with holes for Light / Horn and Reset Button to be installed by user. Meter and enclosure are sold separately. The Light / Horn hole is in the back left corner of the enclosure and the Reset button is centered on the front of the enclosure about an inch off the bottom of the door. If the user would prefer to mount these items in different locations, order the PDA-LHR and the PDA-BUTTON1R separately and drill holes and mount as desired.
- The Reset Button works only with meters that have digital input contacts like the F4 terminals on the ProVu. There are no such terminals on a Trident meter so the front panel ACK button on the Trident would have to be used for reset purposes.
- For other light color options see the MOD-LH Series manual (LIMMODLH).



Need help selecting the right enclosure?
www.predig.com/esu



Download free 3-D CAD files of these enclosures to simplify your drawings!

predig.com/documentation-cad



WARNING

Cancer and Reproductive Harm - www.P65Warnings.ca.gov

Your Local Distributor is:

Order from:

C A Briggs Company

622 Mary Street; Suite 101
 Warminster, PA 18974

Phone: 267-673-8117 - Fax: 267-673-8118

Sales@cabriggs.com - www.cabriggs.com

Disclaimer

The information contained in this document is subject to change without notice. Precision Digital Corporation makes no representations or warranties with respect to the contents hereof, and specifically disclaims any implied warranties of merchantability or fitness for a particular purpose.

©2010-2019 Precision Digital Corporation. All rights reserved.

LDS2800_H 03/19