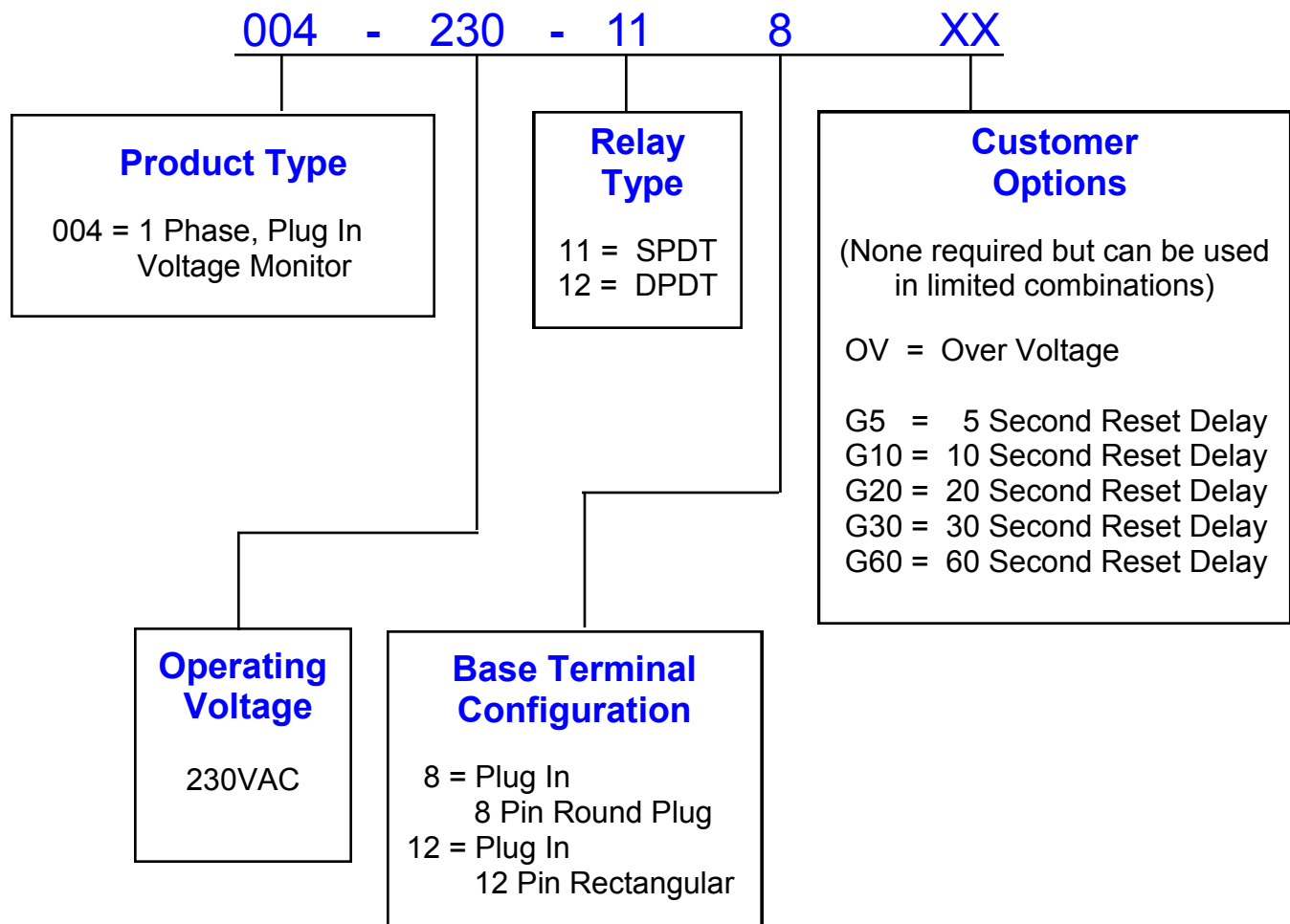


# Ordering Information - Voltage Monitors

## Voltage Monitor Designations

**Example: M.P.E. Product Number**  
**004 - 230 - 118**  
**Product Number Breakdown:**





# VOLTAGE MONITORS

## SINGLE PHASE MOTOR PROTECTION

**MADE IN THE U.S.A.**



UL FILE #E101681



### PROTECTS AGAINST:

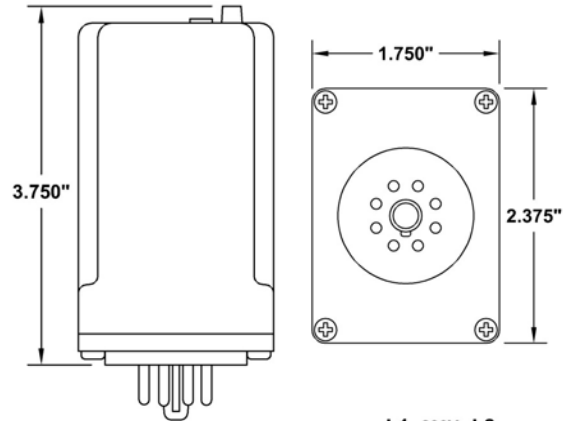
- Under Voltage
- Rapid Load Cycling
- (Optional Over Voltage)

\*UL listed models require use of an RB08 or RB08-PC socket.

### OPERATION

When proper voltage is connected to the voltage monitor the internal relay will be energized and the LED will come on steady. An abnormal condition will cause the LED to blink during the trip delay. When the trip delay has expired the internal relay will be de-energized. The LED will then provide a series of pulses that indicate which fault condition is present. When conditions return to normal, the LED will blink during the reset delay. When the reset delay has expired, the LED will come on steady and the internal relay will be energized. The reset delay is also active immediately after power is turned on to the unit.

To add the Over Voltage feature select the OV option.  
To extend the standard Reset Delay select one of the G options.



LED STATUS	CONDITION
ON STEADY	NORMAL
⏏	TRIP or RESET
⏏	UNDERVOLTAGE
⏏	OVERVOLTAGE



### SPECIFICATIONS

- Under Voltage:
  - Trip: - 15% of 200V-280V
  - Reset: - 12% of 200V-280V
- Over Voltage:
  - Trip: + 15% of 200V-280V
  - Reset: + 12% of 200V-280V
- Trip Delay: 5 Seconds (Delay on Release)
- Reset Delay: 2 Seconds Standard (See Options) (Delay on Operate)
- Voltage Range: 200V to 280V
- Output Rating: 10A Resistive @ 240VAC, 6A Inductive @ 240VAC
- Operating Temp: -40°C to +50°C
- Storage Temp: -45°C to +85°C
- Enclosure: White Lexan
- Base: Phenolic

### ORDERING INFORMATION

- 004 - 230 - 11 8 - XXXXX
- Product Type
  - Operating Voltage
  - Relay Type (SPDT)
  - Base (8 Pin Octal)
  - Options:
    - OV - Over Voltage
    - G5 - 5 Second Reset Delay
    - G10 - 10 Second Reset Delay
    - G20 - 20 Second Reset Delay
    - G30 - 30 Second Reset Delay
    - G60 - 60 Second Reset Delay



# VOLTAGE MONITORS

## SINGLE PHASE MOTOR PROTECTION

**MADE IN THE U.S.A.**



UL FILE #E101681



\*UL listed models require use of an SD12-PC socket.



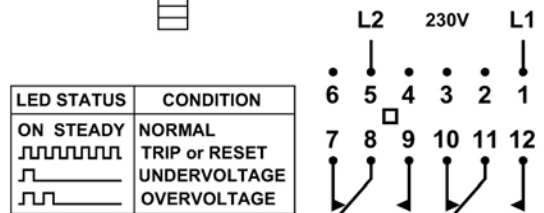
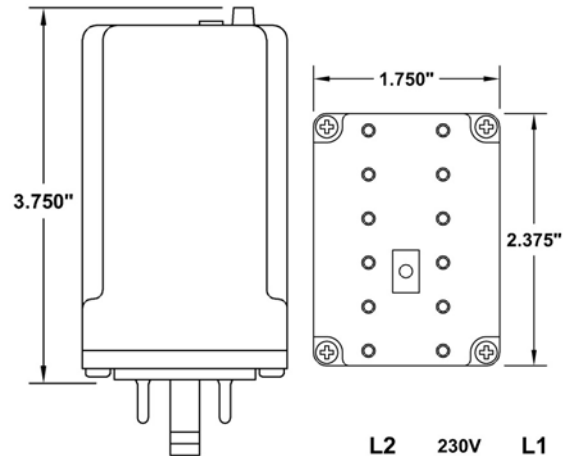
### PROTECTS AGAINST:

- Under Voltage
- Rapid Load Cycling
- (Optional Over Voltage)

### OPERATION

When proper voltage is connected to the voltage monitor the internal relay will be energized and the LED will come on steady. An abnormal condition will cause the LED to blink during the trip delay. When the trip delay has expired the internal relay will be de-energized. The LED will then provide a series of pulses that indicate which fault condition is present. When conditions return to normal, the LED will blink during the reset delay. When the reset delay has expired, the LED will come on steady and the internal relay will be energized. The reset delay is also active immediately after power is turned on to the unit.

To add the Over Voltage feature select the OV option.  
To extend the standard Reset Delay select one of the G options.



### SPECIFICATIONS

- Under Voltage:
  - Trip: - 15% of 200V-280V
  - Reset: - 12% of 200V-280V
- Over Voltage:
  - Trip: + 15% of 200V-280V
  - Reset: + 12% of 200V-280V
- Trip Delay: 5 Seconds (Delay on Release)
- Reset Delay: 2 Seconds Standard (See Options) (Delay on Operate)
- Voltage Range: 200V to 280V
- Output Rating: 10A Resistive @ 240VAC, 6A Inductive @ 240VAC
- Operating Temp: -40°C to +50°C
- Storage Temp: -45°C to +85°C
- Enclosure: White Lexan
- Base: Phenolic

### ORDERING INFORMATION

- 004 - 230 - 12 12 - XXXXX
- Product Type
  - Operating Voltage
  - Relay Type (DPDT)
  - Base (12 Pin)
  - Options:
    - OV - Over Voltage
    - G5 - 5 Second Reset Delay
    - G10 - 10 Second Reset Delay
    - G20 - 20 Second Reset Delay
    - G30 - 30 Second Reset Delay
    - G60 - 60 Second Reset Delay