

**Digital
Temperature Switch**
for Liquids



measuring
•
monitoring
•
analyzing

TDD



- Measuring Range: -58 ... 250 °F
- Max. Pressure: 1150 PSI
- Accuracy: ± 1.0 °F (for 14 ... 185 °F)
- Housing Material: Stainless Steel
- Connections:
1/2" NPT, 3/4" NPT, G 1/2, G 3/4, or M25 x 1.5



Order from: **C A Briggs Company**

622 Mary Street; Suite 101; Warminster, PA 18974

Phone: 267-673-8117 - Fax: 267-673-8118

Sales@cabriggs.com - www.cabriggs.com

KOBOLD Instruments, Inc.
1801 Parkway View Drive
Pittsburgh, PA 15205

Description

The KOBOLD TDD temperature switches are used for economical measurement and monitoring of temperature. They are suited for applications where temperature must be monitored with a high degree of switching accuracy. A semiconductor, which outputs a digital signal to the evaluating electronics in 1.0 °F steps, serves as sensor element. The current measured value is displayed on a 3-digit LED display. Two switch points, on-/off-switching delay, and hysteresis are adjustable within the measuring range. Common applications include: compressors, mechanical and plant engineering, and pumps.



Technical Details

Housing Cover: 303 Stainless Steel
Housing: 316L Stainless Steel
Sensor: 316/316L Stainless Steel

Connection
Standard Version: ½" NPT or ¾" NPT Male Thread
 316L Stainless Steel
 Option: G ½ or G ¾

Remote Version
Sensor: 100 mm, 6 mm
Cable: 2.5 m PTFE with M12x1 Plug
Housing: M25x1.5 with Backing Nut

Principle of Meas.: Semiconductor
Display: 3-digit LED, Digit-height: 7 mm
Resolution: 1.0 °F up to 212 °F
Max. Media Temp.:
Standard Version: -4 ... 250 °F
Remote Version: -58 ... 250 °F
Ambient Temp. Range: -4... 120 °F

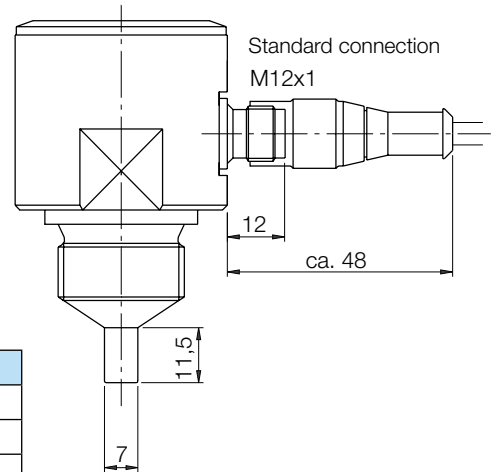
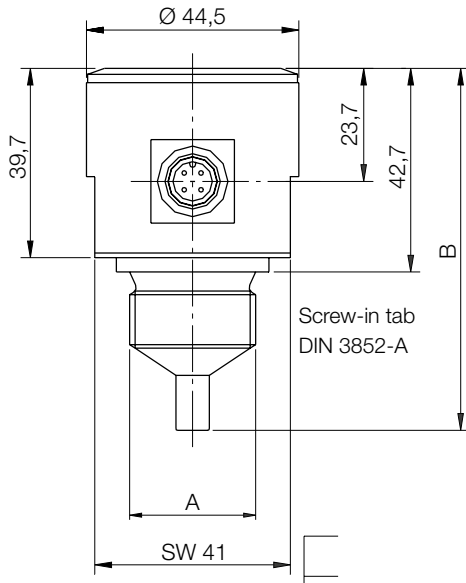
Max. Pressure: 1150 PSI
Power Supply: 24 Vdc ±20 %
Power Consumption: Approx. 50 mA
 (without Switching Output)
Electrical Connection: M12x1 Plug
Type of Switch. Output: Semiconductor;
 PNP or NPN (Factory Set),
 Max. 300 mA, Short-circuit Proof
Contact Function: N/O / N/C, Window, Adjustable
Switch. Point Adj.: Adjustable via 2 Keys
Switching State Display: 1 (2) LED
Hysteresis: Adjustable via 2 Keys
ON/OFF-Switch. Delay: 0.5...99.5 (Separately Adjustable)
Measuring Cycle: 0.5 s
 t_{50/90}: approx. 13/30 s
Accuracy (Sensor): ±1.0 °F (between 14 ... 185 °F)
 ±3.6 °F (between 185...250 °F and
 -58...-14 °F)
Protection: IP 65

Order Details (Example: TDD-153N4F210)

Model				Connection	Measuring Range	Sensor Length
Output 1 x PNP	Output 1 x NPN	Output 2 x PNP	Output 2 x NPN			
TDD-153..	TDD-353..	TDD-553..	TDD-753..	..N4.. = ½" NPT ..N5.. = ¾" NPT ..R4.. = G ½ ..R5.. = G ¾ ..D6.. = Remote Mount, No Fitting	..F2.. = 0...250 °F ..H2.. = -20...120 °C ..F3.. = -58...250 °F ..H3.. = -50...125 °C	..00 = 12 mm ..10 = 100 mm ..20 = 200 mm ..10 = 100 mm
Accessories						
Micro-DC Plug, 4-pin with 6 ft Cable					807.037	
6mm Bore Through Compression Fitting for D6 Connection - 1/4" NPT					FTFHG1/4SS	
6mm Bore Through Compression Fitting for D6 Connection - 1/2" NPT					FTFHG1/2SS	

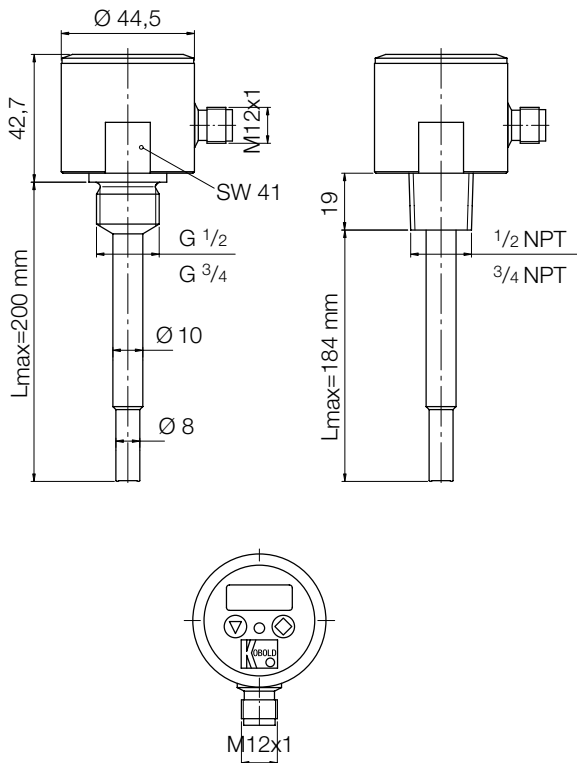
Dimensions (mm)

Standard Version, 12mm

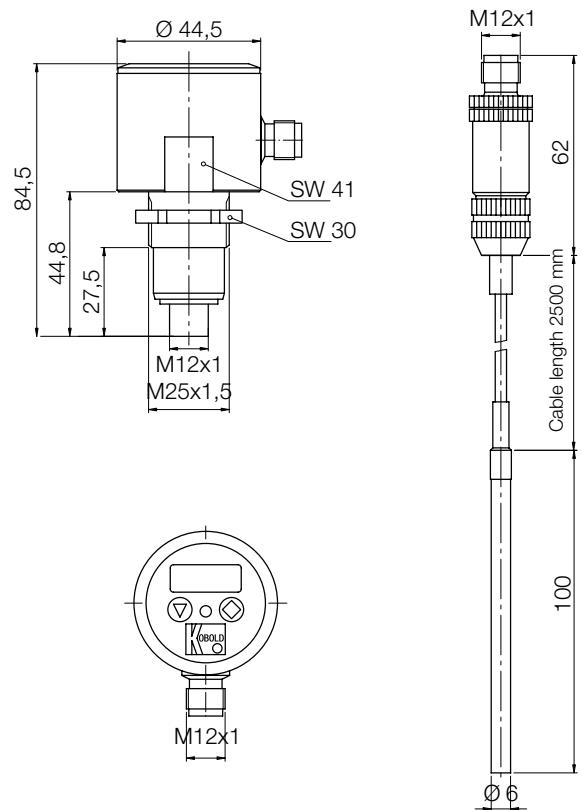


A	B
½" NPT	70.2
¾" NPT	70.5
G ½	72.3
G ¾	75.9

Standard Version, 200mm



Remote Version



No responsibility taken for errors;
subject to change without prior notice.