

Low Volume Variable Area Flow Meter and Switch for Liquids



measuring
•
monitoring
•
analyzing

SWK



- Switching Range: 0.05...0.1 to 13...24 l/min. Water
- Repeatability: $\pm 2.5\%$ f.s.
- Max. Pressure: 3600 PSIG
- Max. Temperature: 210 °F
- Connection: G 1/2
- Material: Brass, Stainless Steel, PVC
- Adjustable Switch or Switch with Indicator



Order from: **C A Briggs Company**

622 Mary Street; Suite 101; Warminster, PA 18974

Phone: 267-673-8117 - Fax: 267-673-8118

Sales@cabriggs.com - www.cabriggs.com

KOBOLD Instruments, Inc.
1801 Parkway View Drive
Pittsburgh, PA 15205



Low Volume Variable Area Flow Meter and Switch Model SWK

Description

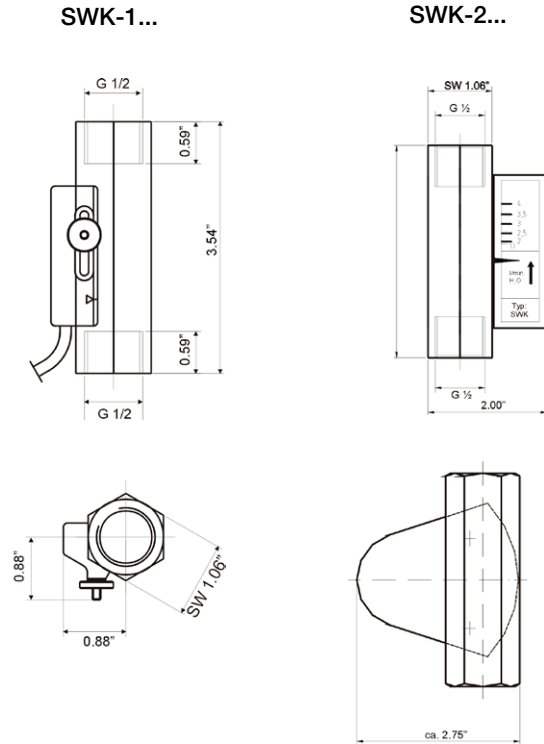
The KOBOLD SWK flow meter and switch operates on the suspended float principle, however the design does not use a conical measuring tube. A float moves in the direction of flow, against the force of a spring in a cylindrical guide tube. The float contains a permanent magnet which operates an adjustable setpoint contact and/or an indicated scale mounted on the outside. The SWK series is compact and can be mounted in any orientation. It is ideally suited for monitoring low flows in applications where low cost and high reliability are critical.



Specifications

Wetted Materials:	
Brass Housings:	Ni-Plated Brass, Ceramic, 301 SS
Stainless Steel Housings:	304 SS, 301 SS, Ceramic
PVC Housings:	PVC, 301 SS, Ceramic
Connections:	G 1/2 Female
Maximum Temperature:	Brass & SS: 210 °F PVC: 140 °F
Maximum Pressure:	Brass & SS: 3600 PSIG PVC: 85 PSIG
Installation:	Any Orientation
Switch Type:	Bistable Reed Contact SPST Normally Open
Switch Rating:	Max. 230 VAC 60 watt
Electrical Conn:	3 foot PVC Cable
Repeatability:	≤2.5% (Contact) ±4% (Indicator)
Electrical Protection:	NEMA 4/IP 65

Dimensions



Order Details (Example: SWK-1108)

Switching Range (l/min Water)	Connection (Female)	Flow Switch			Flowmeter and Switch	
		Material			Material	
		Brass	Stainless Steel	PVC	Brass	Stainless Steel
0.05...0.1	G 1/2	SWK-1101	SWK-1201	-	SWK-2101	SWK-2201
0.1...0.2	G 1/2	SWK-1102	SWK-1202	-	SWK-2102	SWK-2202
0.2...0.8	G 1/2	SWK-1108	SWK-1208	SWK-1308	SWK-2108	SWK-2208
0.5...1.8	G 1/2	SWK-1118	SWK-1218	SWK-1318	SWK-2118	SWK-2218
1.7...4.0	G 1/2	SWK-1140	SWK-1240	SWK-1340	SWK-2140	SWK-2240
4.0...9.0	G 1/2	SWK-1190	SWK-1290	SWK-1390	SWK-2190	SWK-2290
8.0...16.0	G 1/2	SWK-1116	SWK-1216	SWK-1316	SWK-2116	SWK-2216
13.0...24.0	G 1/2	SWK-1124	SWK-1224	SWK-1324	SWK-2124	SWK-2224